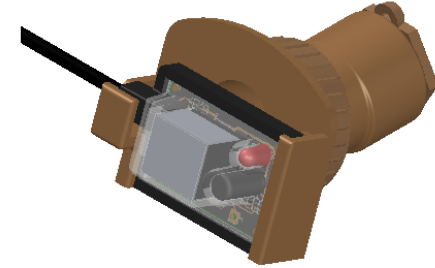
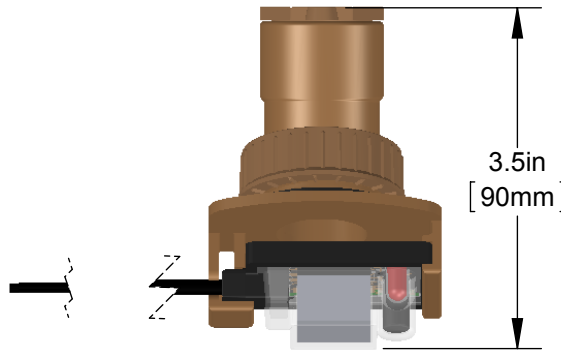
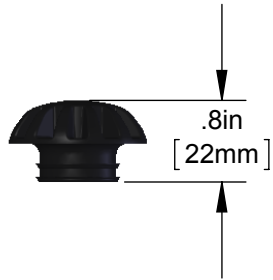


VIBRATION ISOLATORS

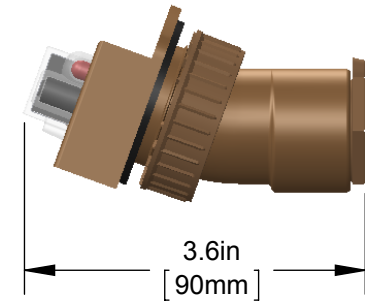
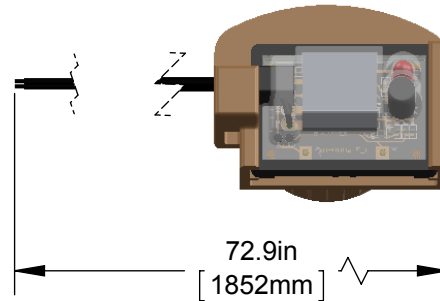
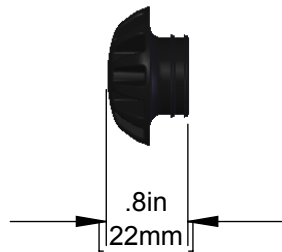
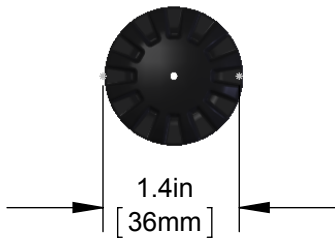
AG- 4200

C



C

B



B

ENGINEERING	NAME	DATE
DRAWN BY ENG.	DS	1/12/12
CHECKED BY ENG.	JK	1/12/12
ENG APPR.	CC	1/12/12
MFG APPR.	CC	1/12/12

RESOURCE
 CONSERVATION TECHNOLOGIES
 64208 PARKLAND DRIVE SUITE 102
 SARASOTA, FL 34243 888-708-6622

A

UNLESS OTHERWISE SPECIFIED: **PROPRIETARY AND CONFIDENTIAL**

DIMENSIONS ARE IN INCHES
 TOLERANCES:
 FRACTIONAL ±.032
 ANGULAR: MACH ± .5° BEND ±2°
 TWO PLACE DECIMAL ± .010
 THREE PLACE DECIMAL ± .005

INTERPRET GEOMETRIC TOLERANCING PER: ANSI Y14.5, 1994

THE INFORMATION CONTAINED IN THIS DRAWING IS THE SOLE PROPERTY OF RESOURCE CONSERVATION TECHNOLOGIES, INC. ANY REPRODUCTION IN PART OR AS A WHOLE WITHOUT THE WRITTEN PERMISSION OF RESOURCE CONSERVATION TECHNOLOGIES IS PROHIBITED.

TITLE:
AG-4200 SPECIFICATION SHEET

SIZE A	SCALE: 1:2	SHEET 1 OF 1
------------------	------------	--------------

NOTES:
 Water sensor for Goliath and Spartan Series Pans.
 Included-Drain Port Assembly & 14 Vibration Isolators.