

REPAIR PARTS

CAPFA Indoor Cased Coil

CAPFA1818A6BA
CAPFA1818B6BA
CAPFA1818C6AA
CAPFA1818C6BA
CAPFA2318A6AA
CAPFA2318B6AA
CAPFA2318C6AA
CAPFA2418A6AA
CAPFA2418B6AA
CAPFA2418C6AA
CAPFA2422B6AA
CAPFA2422C6AA
CAPFA3022B6AA
CAPFA3022C6AA
CAPFA3022D6AA
CAPFA3626B6AA
CAPFA3626C6AA
CAPFA3626D6AA



This manual is to be used by qualified technicians only.

This manual replaces RP-4328A.

© 2018 - 2019 Goodman Manufacturing Company, L.P. ♦ 5151 San Felipe St, Suite 500 ♦ Houston, TX 77056

Important Information

Index

Functional Parts List	3
Illustration and Parts	4 - 5

Views shown are for parts illustrations only, not servicing procedures

Text Codes:

AR - As Required

NA - Not Available

NS - Not Shown

00000000 - See Note

QTY - Quantity Example (QTY 3) (If Quantity not shown, Quantity = 1)

M - Model Example (M1) (If M Code not shown, then part is used on all Models)

Expanded Model Nomenclature:

Example M1 - Model#1 M2 - Model#2 M3 - Model#3

Goodman Manufacturing Company, L.P. is not responsible for personal injury or property damage resulting from improper service. Review all service information before beginning repairs.

Warranty service must be performed by an authorized technician, using authorized factory parts. If service is required after the warranty expires, Goodman Manufacturing Company, L.P. also recommends contacting an authorized technician and using authorized factory parts.

Goodman Manufacturing Company, L.P. reserves the right to discontinue, or change at any time, specifications or designs without notice or without incurring obligations.

For assistance within the U.S.A. contact:
Homeowner Support
Goodman Manufacturing Company, L.P.
19001 Kermier Road
Waller, Texas 77484
877-254-4729-Telephone
713-863-2382-Facsimile

For assistance outside the U.S.A. contact:
International Division
Goodman Manufacturing Company, L.P.
19001 Kermier Road
Waller, Texas 77484
713-861-2500-Telephone
713-863-2382-Facsimile

Functional Parts

Part

No: **Description:**

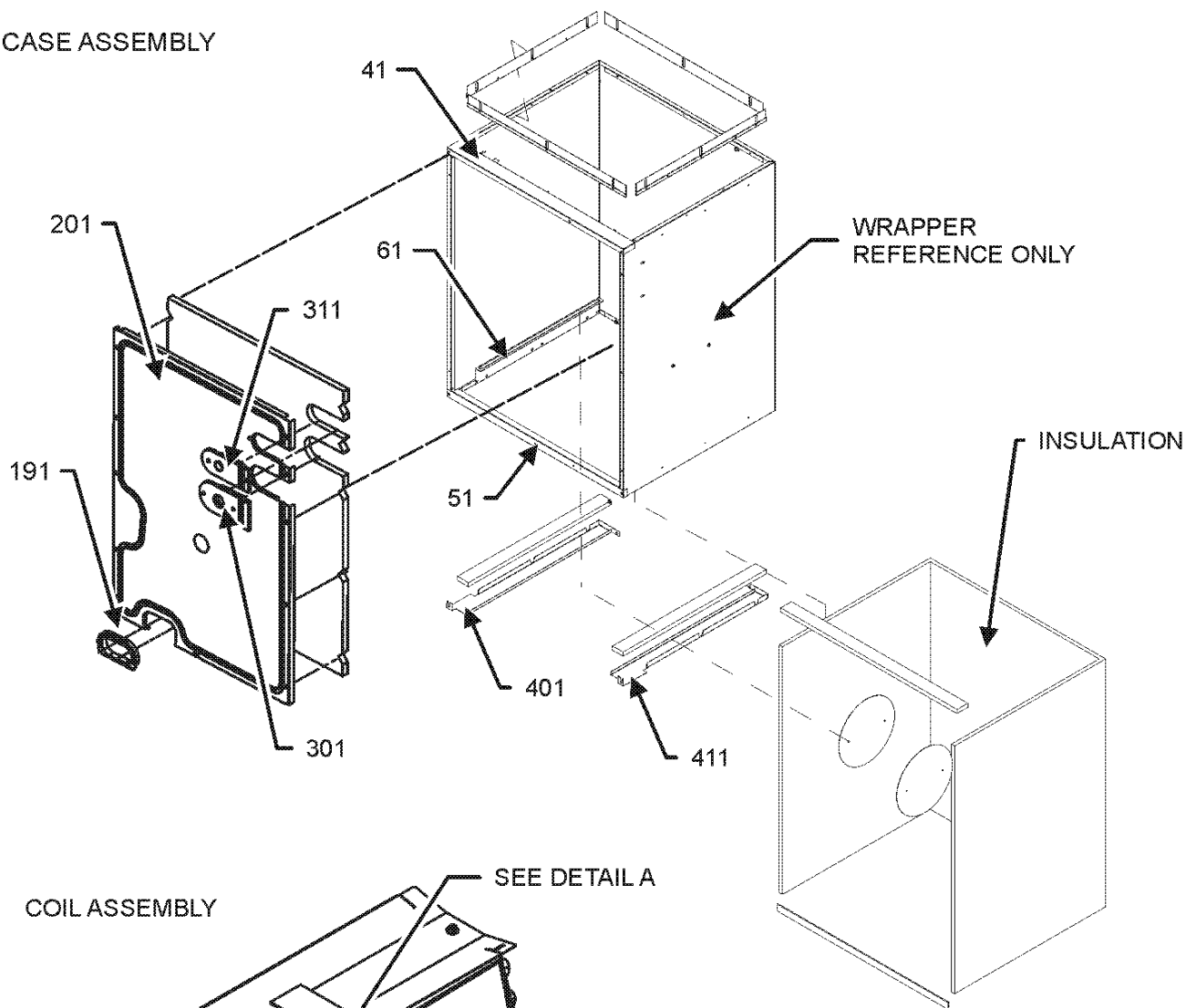
BT1369063	90 DEGREE STUB
B1373311	ACCESS VALVE FITTING
TP-109B	AL COIL-APPROVED CLEANING LIST
PKCG-4001W	PISTON KIT CHART

Expanded Model Nomenclature

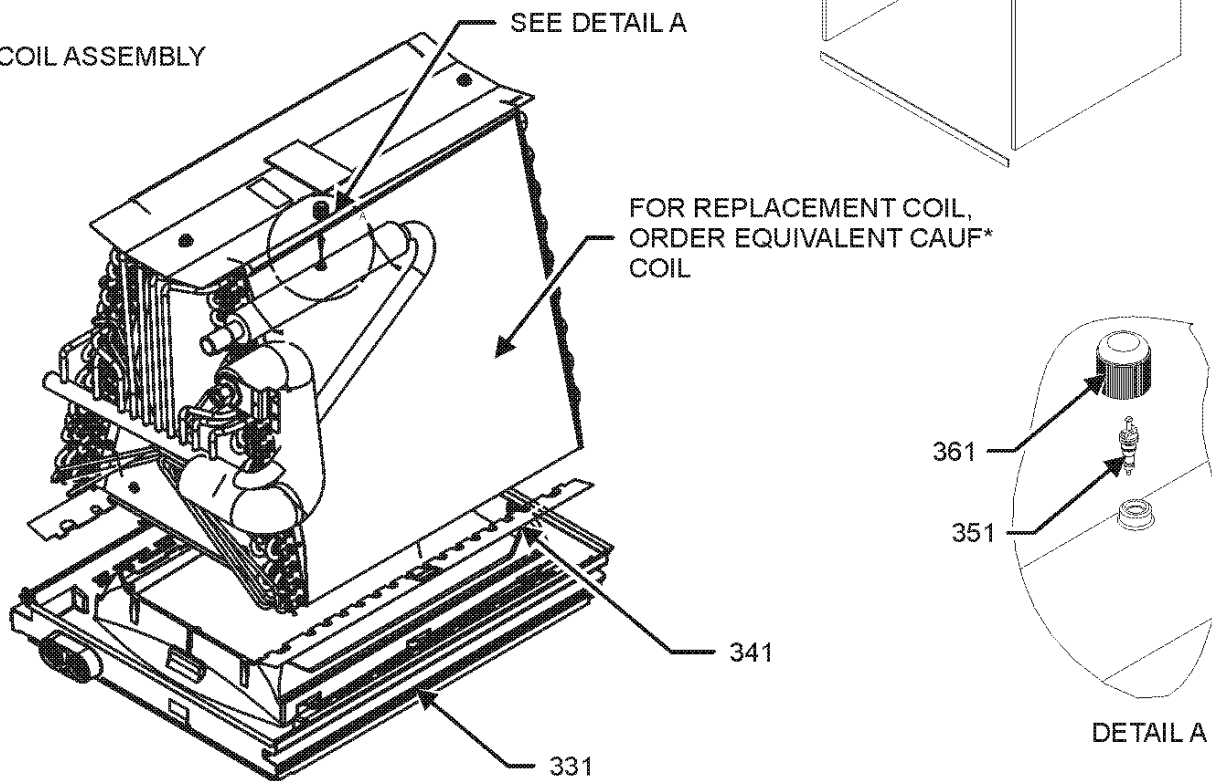
M1 - CAPFA1818A6BA
M2 - CAPFA1818B6BA
M3 - CAPFA1818C6AA
M4 - CAPFA1818C6BA
M5 - CAPFA2318A6AA
M6 - CAPFA2318B6AA
M7 - CAPFA2318C6AA
M8 - CAPFA2418A6AA
M9 - CAPFA2418B6AA
M10 - CAPFA2418C6AA
M11 - CAPFA2422B6AA
M12 - CAPFA2422C6AA
M13 - CAPFA3022B6AA
M14 - CAPFA3022C6AA
M15 - CAPFA3022D6AA
M16 - CAPFA3626B6AA
M17 - CAPFA3626C6AA
M18 - CAPFA3626D6AA

CABINET AND COIL ASSEMBLY

CASE ASSEMBLY



COIL ASSEMBLY



CABINET AND COIL ASSEMBLY

Ref. Part No: No:	Description:	Ref. Part No: No:	Description:
Image 1:		Expanded Model Nomenclature	
41	0121D00304PDG RAIL TOP, CASED E COIL,PAINTED (M1, M5, M8)	M1 - CAPFA1818A6BA	
41	0121D00305PDG RAIL TOP, CASED E COIL,PAINTED (M2, M6, M9, M11, M13, M16)	M2 - CAPFA1818B6BA	
41	0121D00306PDG RAIL TOP, CASED E COIL,PAINTED (M3, M4, M7, M10, M12, M14, M17)	M3 - CAPFA1818C6AA	
41	0121D00307PDG RAIL TOP, CASED E COIL,PAINTED (M15, M18)	M4 - CAPFA1818C6BA	
51	0121D00502PDG RAIL BOTTOM,CASED COIL,PAINTED (M1, M5, M8)	M5 - CAPFA2318A6AA	
51	0121D00503PDG RAIL BOTTOM,CASED COIL,PAINTED (M2, M6, M9, M11, M13, M16)	M6 - CAPFA2318B6AA	
51	0121D00504PDG RAIL BOTTOM,CASED COIL,PAINTED (M3, M4, M7, M10, M12, M14, M17)	M7 - CAPFA2318C6AA	
51	0121D00505PDG RAIL BOTTOM,CASED COIL,PAINTED (M15, M18)	M8 - CAPFA2418A6AA	
61	0121D00264 RAIL DRAIN PAN, CASED COIL (QTY 2)	M9 - CAPFA2418B6AA	
191	0154A00047 GASKET, DRAIN PAN	M10 - CAPFA2418C6AA	
201	0121D00539PDG PNL ACCESS PNT, CASED E COIL (M1, M5, M8)	M11 - CAPFA2422B6AA	
201	0121D00540PDG PNL ACCESS PNT, CASED E COIL (M2, M6, M9)	M12 - CAPFA2422C6AA	
201	0121D00541PDG PNL ACCESS PNT, CASED E COIL (M3, M4, M7, M10)	M13 - CAPFA3022B6AA	
201	0121D00543PDG PNL ACCESS, PAINTED (M12, M14)	M14 - CAPFA3022C6AA	
201	0121D00544PDG PNL ACCESS, PAINTED (M15)	M15 - CAPFA3022D6AA	
201	0121D00545PDG PNL ACCESS, PAINTED (M11, M13)	M16 - CAPFA3626B6AA	
201	0121D00548PDG PNL ACCESS, PAINTED (M16)	M17 - CAPFA3626C6AA	
201	0121D00597PDG PNL ACCESS, PAINTED (M17)	M18 - CAPFA3626D6AA	
201	0121D00600PDG PNL ACCESS, PAINTED (M18)		
301	0154D00004 GROMMET, LIQUID (M1, M2, M3, M4, M5, M6, M7, M8, M9, M10, M11, M12, M13, M14, M15, M16)		
301	0154D00013 GROMMET, LIQUID (M17, M18)		
311	0154D00005 GROMMET, SUC TION (M1, M2, M3, M4, M5, M6, M7, M8, M9, M10, M11, M12, M13, M14, M15)		
311	0154D00014 GROMMET, SUC TION (M16, M17, M18)		
331	0161D00048 DRAIN PAN MAIN, E COIL (M1, M5, M8)		
331	0161D00049 DRAIN PAN MAIN, E COIL (M2, M6, M9, M11, M13, M16)		
331	0161D00050 DRAIN PAN MAIN, E COIL (M3, M4, M7, M10, M12, M14, M17)		
331	0161D00051 DRAIN PAN MAIN, E COIL (M15, M18)		
341	0121D00497 BLOCKOFF DOWNFLOW (QTY 2)		
351	B1787000 VALVE CORE		
361	0163M00175 CAP W/O-RING		
401	5001010 PLATE, LEFT BLOCK OFF (M2, M3, M4, M6, M7, M9, M10, M11, M12, M13, M14, M15, M16, M17,		
411	5001011 PLATE, RIGHT BLOCK OFF (M2, M3, M4, M6, M7, M9, M10, M11, M12, M13, M14, M15, M16, M17,		
NS	BT1369063 90 DEGREE STUB		
NS	B1373311 ACCESS VALVE FITTING		
NS	TP-109B AL COIL-APPROVED CLEANING LIST		
NS	5001213 FLANGE FRONT-REAR MED (M2, M6, M9, M11, M13, M16)		
NS	5001212 FLANGE FRONT-REAR SM (M1, M5, M8)		
NS	5001215 FLANGE FRONT-REAR XLG (M15, M18)		
NS	5001211 FLANGE SIDE (QTY 2)		
NS	PKCG-4001W PISTON KIT CHART		
NS	B1393530 SCREW, HWH, 10X1/2A,YZD,SLOT SR (QTY 3)		

FOR REPLACEMENT COIL, ORDER EQUIVALENT CAUF* COIL.