

DBLT4W

Item no. 46000

Document type: **Product card**

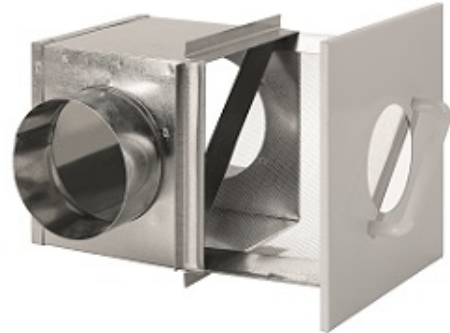
Document date: **2014-05-09**

Generated by: **Systemair Online Catalogue**

Description

Lint Trap for Dryer Booster

Galvanized metal lint trap for dryer boosting applications. Use when duct length between dryer and booster fan is less than 15 feet. Fits 4-inch duct. Features pull out white door with a view window with attached removable lint filter for easy cleaning and 1/2" flange for flush mount installation. The lint trap complements all Fantech dryer booster fans.

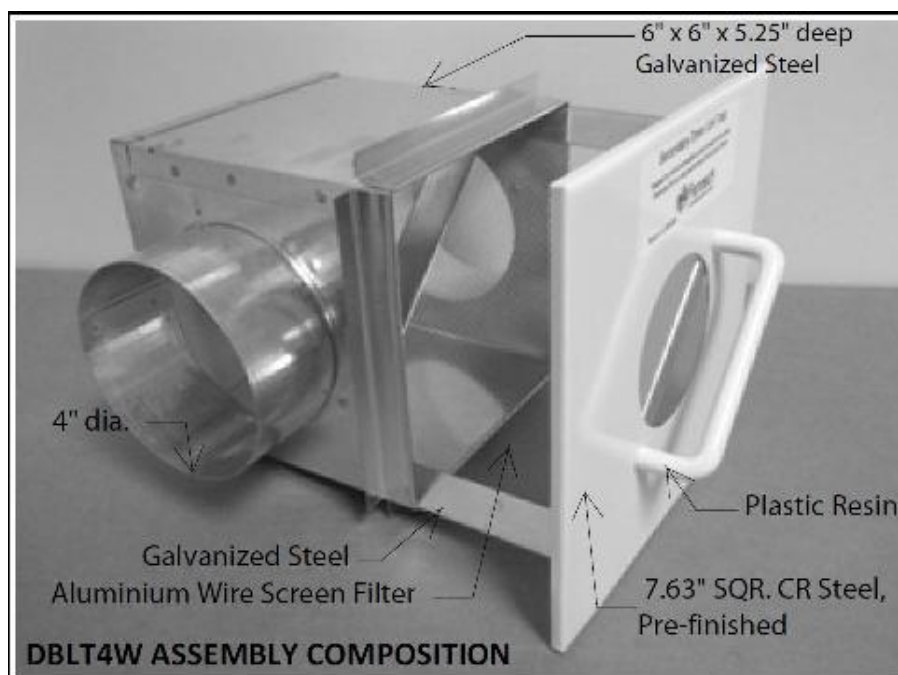


Technical parameters

Weight

3 lbs.

Dimensions



Documentation



(450224 DBLT4W OIPM EN.pdf, 369kB)