

EX11CT (RHFE-265FTA2)

Type of Appliance	Direct vent wall furnace suitable for homes, apartments, and condominiums, residential or commercial setting; modular/mobile home approved; forced combustion, forced convection	
Rinnai Model Number	RHFE-265FTA2-N (Natural gas)	RHFE-265FTA2-P (Propane)
Gas Rate Input (BTU/hour)	Low - 5,500 High - 11,000	Low - 5,700 High - 11,000
Gas Rate Output (BTU/hour)	Low - 4,400 High - 8,800	Low - 4,560 High - 8,800
AFUE Rating	81%	
Minimum Gas Supply Pressure	3.5 in (89 mm) W.C.	8 in (203 mm) W.C.
Maximum Gas Supply Pressure	10.5 in (267 mm) W.C	13 in (330 mm) W.C.
Electrical Connection	AC 120V, 60 Hz, 44 watts	
Gas Connection	1/2 inch NPT	
Combustion System	Stainless steel Bunsen burners	
Ignition System	Electronic spark ignition	
Fan CFM Output	Low - 96.4	High - 128.5
Temperature Settings	Low (LO): minimum combustion 60° - 80° F in 2° increments High (HI): maximum combustion	
Temperature Control	<ul style="list-style-type: none"> • Electronic thermostat • Temperature limiting program to comply with Inside Design Temperature limits 	
Humidifier Tray	Enameled tray with capacity of 1.5 pints (700 cc)	
Weight	Approximately 46 lbs (21 kg)	
Clearance from Combustibles	Side: 2 inches (50 mm), Top: 0 inches (0 mm), Front: 40 inches (1 m)	
Noise Level	31 - 38 dB(A)	
Warm Air Outlet	Bottom front louvers	

FEATURES

Restart capability	Restarts automatically when ignition or combustion fails.
Timer Settings	Starts and turns off the heater at 2 timer settings.
Seven-stage modulating gas valve	Provides precise gas flow by operating from one to seven stages.
Negative coefficient thermistor	Detects temperature change in 1/2 of a degree.
Variable speed inducer motor with pressure switch	Monitors and controls combustion fan and allows the appliance to overcome winds of up to 40 mph.
Self diagnostic electronics	Continually monitors functions; provides auto shutdown codes; indicates
Quiet operation	Reduces noise through use of swept blades in convection fan; quiet expansion / contraction of parts due to temperature changes.
Wall Thermostat connectable	Ability to connect to a field supplied wall thermostat.

Safety Devices

- Flame rod detects flame failure; results in auto shutdown to prevent escape of gas
- Bi-metal switch, thermal fuse, and thermistor detect overheat condition; results in auto shutdown
- 3 amp fuse protects against power surge; results in auto shutdown
- Abnormal spark at time of ignition results in auto shutdown
- Combustion fan purges any gas from the combustion chamber before ignition
- Convection fan continues to run after burner shutdown to cool internal parts
- Child lock prevents inadvertent operation
- Appliance shuts down if room reaches 104° F (40° C)

Venting

Concentric; 3 1/8 inch (80 mm) wall hole

Maximum Vent Length

13 feet (4 m) with a maximum of 2 bends;
 maximum 8 ft (2.4 m) vertically for altitudes at or below 2000 ft (610 m)
 maximum 5 ft (1.5 m) vertically for altitudes above 200 ft (610 m)

Wall Thickness and Flue Manifold Kits

(the "A" vent kit is included with the appliance)

Name	Kit No.	Fits Walls
S Vent Kit	FOT-150	3 - 4 1/2 in (75 - 115 mm)
A Vent Kit	FOT-151	4 1/2 - 9 1/2 in (115 - 240 mm)
B Vent Kit	FOT-152	9 1/2 - 15 3/4 in (240 - 400mm)
C Vent Kit	FOT-153	15 3/4 - 23 5/8 in (400 - 600 mm)
D Vent Kit	FOT-154	23 5/8 - 31 1/2 in (600 - 800 mm)

Warranty

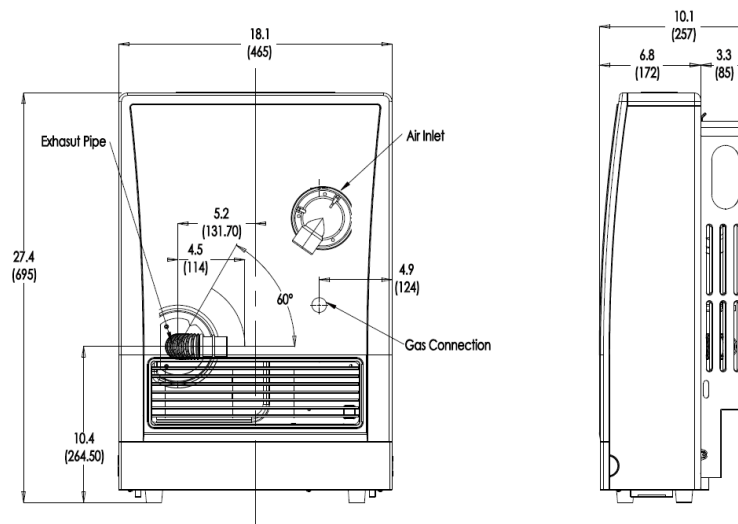
Labor: 2 years; Parts: 5 years; Heat Exchanger: 10 years

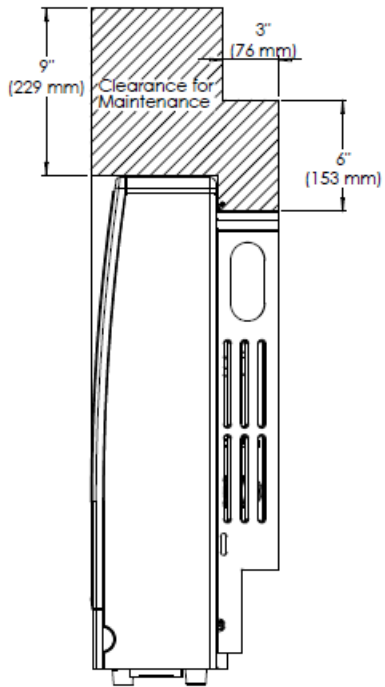
Conversion Kit

To natural gas: 204000034 To propane gas: 204000038

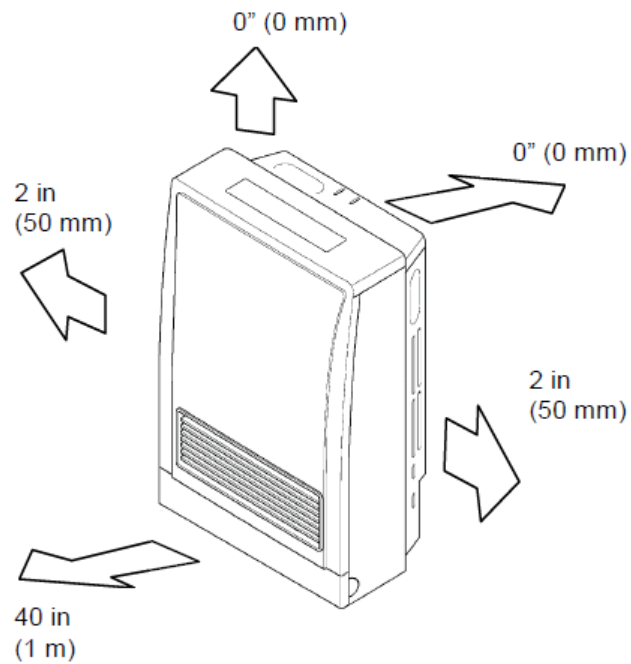
Rinnai is continually updating and improving products; therefore, specifications are subject to change without prior notice. Local, state, provincial and federal codes must be adhered to prior to installation.

DIMENSIONS



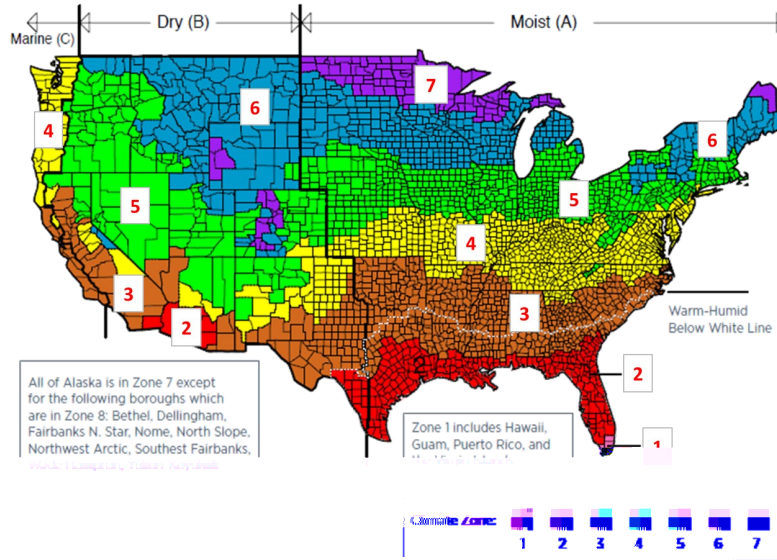


Clearance for Maintenance



Clearance to Combustibles

International Energy Conservation Code (IECC) Climate Regions



Zone	Cubic Feet	Square Feet*
1	5,471 - 7,430	681 - 930
2	3,551 - 4,820	441 - 600
3	2,981 - 4,050	371 - 510
4	2,521 - 3,430	321 - 430
5	2,081 - 2,830	261 - 350
6	1,701 - 2,310	211 - 290
7	1,551 - 2,110	191 - 260

- Selection is based on installation locations at 2000ft or below. If the installation is above 2000ft please contact Rinnai.
- In bathrooms, select a product equal to or less than 6000BTUH.
- In bedrooms, select a product equal to or less than 10000BTUH.
- In single rooms in Region V, multiply the room's volume by 3.20. The result is the maximum heat input (BTUH) of the product you should consider.
- Chart should not be used as the sole document for making final product selection. Consult with your Rinnai independent dealer.
- Square footage column based off of an 8ft ceiling assumption.
- The guidelines apply to average house construction.
- This is intended to be used as a guide and not a replacement for a professionally engineered project.
- Rinnai has not been to the location so this guidance is for your assistance only and should not be the sole factor in making a sizing selection.
- Sizing does not describe a complete system.
- The contractor/engineer must determine the necessary components for and configuration of the particular system being installed.
- Sizing does not imply compliance with local building codes.
- It is the responsibility of the engineer/contractor to ensure the installation is in accordance with all local building codes.
- Confer with local building officials before installation.
- RAC, its agents, employees, directors, officers, parent or affiliate companies assume no liability for damages arising from information provided herein to or by consumers or third parties or for damages arising from or associated with water quality, compliance with local codes, installation methods, materials or other circumstances related to application or installation.
- For primary heat applications, perform a Manual J sizing calculation.
- Chart is to be used for supplemental heat applications only.