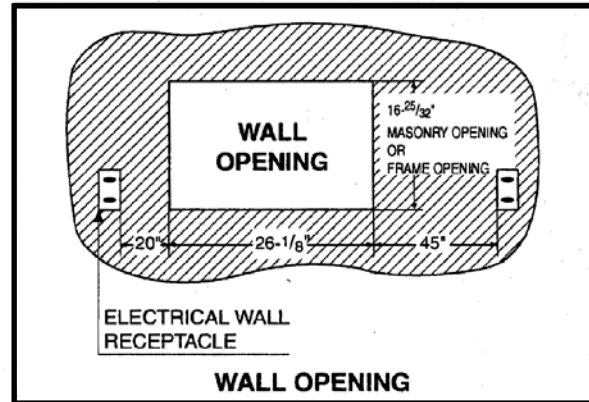
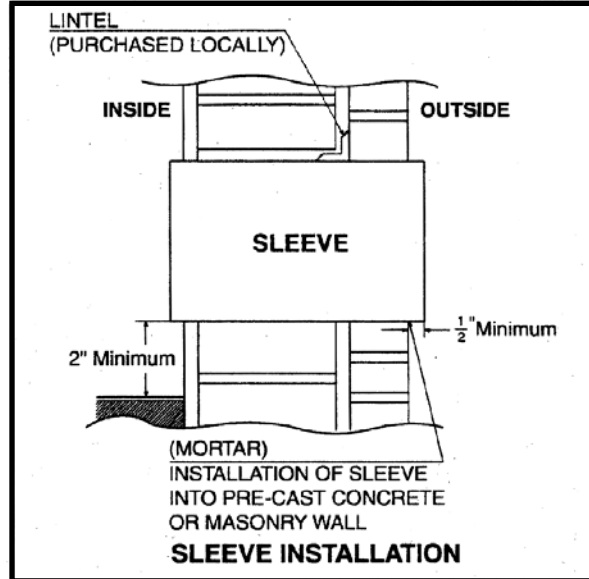
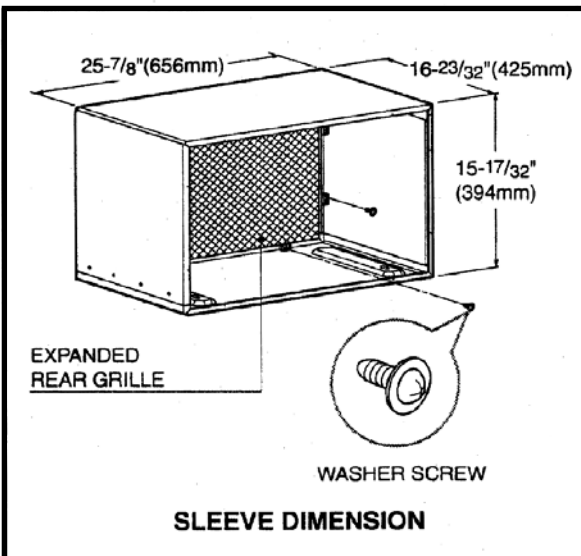
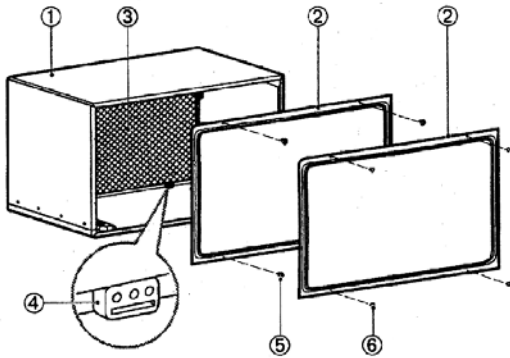


### SLEEVE INSTALLATION INSTRUCTIONS

• TTW Sleeve with Expanded Grille: USC

#### SLEEVE HARDWARE

ITEM	DESCRIPTION	Q'TY
①	SLEEVE ASSEMBLY	1
②	WEATHER PANEL (BACK, FRONT)	2
③	EXPANDED ALUMINIUM REAR GRILLE	1
④	SUPPORTER	8
⑤	WASHER SCREW	8
⑥	SCREW	4



#### NOTE

- Receptacle should be installed within 20" of left side or 45" of right side of wall opening.
- After sleeve has been installed, caulk entire perimeter around exterior wall opening and sleeve. Use a good grade of caulking compound to seal all cracks against air and water infiltration.
- Do not remove front or back cover until all masonry is set and window frame is in place. This will prevent buckling of the upper and lower surfaces of the sleeve during subsequent construction operations..