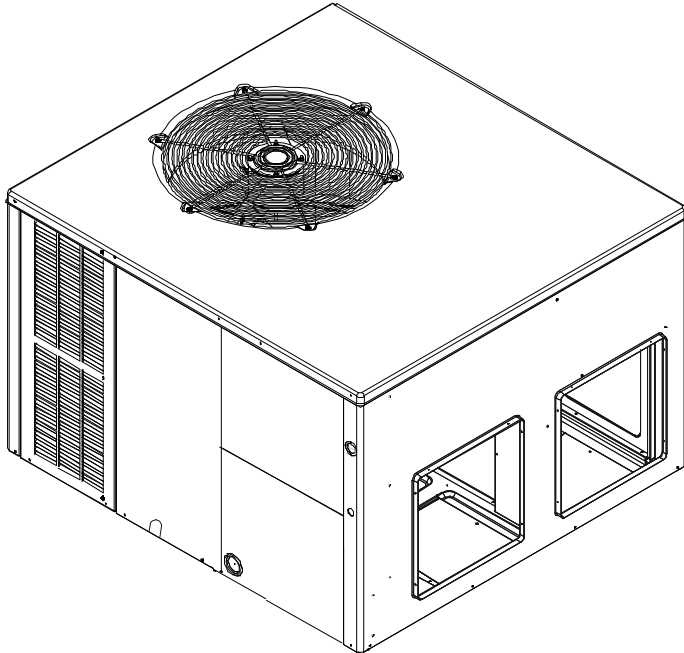


# INSTALLATION INSTRUCTIONS FOR SELF-CONTAINED PACKAGE AIR CONDITIONERS AND HEAT PUMP UNITS \*PC/\*PH 14 SEER "M" SERIES WITH R-410A



**RECOGNIZE THIS SYMBOL AS A SAFETY PRECAUTION.**



## WARNING

ONLY PERSONNEL THAT HAVE BEEN TRAINED TO INSTALL, ADJUST, SERVICE OR REPAIR (HEREINAFTER, "SERVICE") THE EQUIPMENT SPECIFIED IN THIS MANUAL SHOULD SERVICE THE EQUIPMENT. THE MANUFACTURER WILL NOT BE RESPONSIBLE FOR ANY INJURY OR PROPERTY DAMAGE ARISING FROM IMPROPER SERVICE OR SERVICE PROCEDURES. IF YOU SERVICE THIS UNIT, YOU ASSUME RESPONSIBILITY FOR ANY INJURY OR PROPERTY DAMAGE WHICH MAY RESULT. IN ADDITION, IN JURISDICTIONS THAT REQUIRE ONE OR MORE LICENSES TO SERVICE THE EQUIPMENT SPECIFIED IN THIS MANUAL, ONLY LICENSED PERSONNEL SHOULD SERVICE THE EQUIPMENT. IMPROPER INSTALLATION, ADJUSTMENT, SERVICING OR REPAIR OF THE EQUIPMENT SPECIFIED IN THIS MANUAL, OR ATTEMPTING TO INSTALL, ADJUST, SERVICE OR REPAIR THE EQUIPMENT SPECIFIED IN THIS MANUAL WITHOUT PROPER TRAINING MAY RESULT IN PRODUCT DAMAGE, PROPERTY DAMAGE, PERSONAL INJURY OR DEATH.

**\*NOTE:** Please contact your distributor or our website for the applicable Specification Sheets referred to in this manual.

These installation instructions cover the **outdoor** installation of self contained package air conditioners and heating units. See the Specification Sheets applicable to your model for information regarding accessories.

IOG-3007B  
2/2018

Goodman Company, L.P.  
5151 San Felipe, Suite 500, Houston, TX 77056  
[www.goodmanmfg.com](http://www.goodmanmfg.com) or [www.amana-hac.com](http://www.amana-hac.com)

© 2010-2015, 2018 Goodman Company, L.P.

**Amana** is a registered trademark of Maytag Corporation or its related companies and is used under license to Goodman Company, L.P., Houston, TX, USA. All rights reserved.



# INDEX

TO THE INSTALLER .....	2
SHIPPING INSPECTION .....	2
REPLACEMENT PARTS .....	3
ORDERING PARTS .....	3
SAFETY INSTRUCTIONS .....	3
CODES AND REGULATIONS .....	3
EPA REGULATIONS .....	3
NATIONAL CODES .....	3
MAJOR COMPONENTS .....	4
PRE-INSTALLATION CHECKS .....	4
CLEARANCES AND ACCESSIBILITY .....	4
UNIT LOCATION .....	4
GROUND LEVEL PRE-INSTALLATION DETAILS .....	4
ROOF TOP PRE-INSTALLATION DETAILS .....	4
ROOF CURB INSTALLATIONS ONLY .....	4
RIGGING DETAILS .....	5
CIRCULATING AIR AND FILTERS .....	5
AIRFLOW CONVERSION .....	5
DUCT WORK .....	5
FILTERS .....	6
PIPING .....	6
CONDENSATE DRAIN .....	6
WIRING .....	6
HIGH VOLTAGE WIRING .....	7
LOW VOLTAGE WIRING .....	7
INTERNAL WIRING .....	7
STARTUP, ADJUSTMENTS, AND CHECKS .....	7
START-UP PROCEDURE AND CHECKLIST .....	7
HEAT PUMP START-UP PROCEDURE .....	7
FINAL SYSTEM CHECKS .....	8
COMPONENTS .....	8
CRANKCASE HEATER .....	8
CONDENSER MOTOR .....	8
COMPRESSOR .....	8
CONTACTOR RELAY .....	8
DEFROST CONTROL .....	8
OUTDOOR THERMOSTAT .....	8
REVERSING VALVE COIL .....	8
INDOOR BLOWER MOTOR .....	8
BLOWER INTERLOCK RELAY .....	8
HEAT PUMP OPERATION .....	9
COOLING CYCLE .....	8
HEATING CYCLE .....	9
DEFROST CONTROL .....	9
SUGGESTED FIELD TESTING/TROUBLE SHOOTING .....	9
AIRFLOW MEASUREMENT AND ADJUSTMENT .....	10
REFRIGERANT CHARGE CHECKS .....	12
EXPANSION VALVE (TXV) SYSTEM .....	13
SYSTEM CHARGING HEATING MODE .....	13

ELECTRICAL ADJUSTMENTS .....	13
MAINTENANCE .....	13
SERVICE .....	14
INADEQUATE AIR VOLUME THROUGH INDOOR COIL .....	14
OUTSIDE AIR INTO RETURN DUCT .....	14
UNDERCHARGE .....	14
POOR "TERMINATING" SENSOR CONTACT .....	14
MALFUNCTIONING REVERSING VALVE -	
THIS MAY BE DUE TO: .....	14
TROUBLESHOOTING CHART .....	15
APPENDIX .....	16
UNIT DIMENSIONS .....	16
MINIMUM CLEARANCES .....	17
RECOMMENDED FILTER SIZES .....	17
START-UP CHECKLIST .....	19

## TO THE INSTALLER

Carefully read all instructions for the installation prior to installing unit. Make sure each step or procedure is understood and any special considerations are taken into account before starting installation. Assemble all tools, hardware and supplies needed to complete the installation. Some items may need to be purchased locally. After deciding where to install unit, closely look the location over - both the inside and outside of home. Note any potential obstacles or problems that might be encountered as noted in this manual. Choose a more suitable location if necessary.

**IMPORTANT NOTE:** If a crankcase heater is used, the unit should be energized 24 hours prior to compressor start up to ensure crankcase heater has sufficiently warmed the compressor. Compressor damage may occur if this step is not followed.

*Before using this manual, check the serial plate for proper model identification.*

*The installation and servicing of this equipment must be performed by qualified, experienced technicians only.*

## SHIPPING INSPECTION

Upon receiving the unit, inspect it for damage from shipment. Claims for damage, either shipping or concealed, should be filed immediately with the shipping company. Check the unit model number, specifications, electrical characteristics and accessories to determine if they are correct. In the event an incorrect unit is shipped, it must be returned to the supplier and must NOT be installed. The manufacturer assumes no responsibility for installation of incorrectly shipped units.

## REPLACEMENT PARTS

### ORDERING PARTS

When reporting shortages or damages, or ordering repair parts, give the complete unit model and serial numbers as stamped on the unit's nameplate.

Replacement parts for this appliance are available through your contractor or local distributor. For the location of your nearest distributor, consult the white business pages, the yellow page section of the local telephone book or contact:

CONSUMER AFFAIRS  
GOODMAN MANUFACTURING COMPANY, L.P.  
7401 SECURITY WAY  
HOUSTON, TEXAS 77040  
877-254-4729

### SAFETY INSTRUCTIONS

The following symbols and labels are used throughout this manual to indicate immediate or potential safety hazards. It is the owner's and installer's responsibility to read and comply with all safety information and instructions accompanying these symbols. Failure to heed safety information increases the risk of personal injury, property damage, and/or product damage.

#### WARNING

Do NOT connect to or use any device that is not design-certified by Goodman for use with this unit. Serious property damage, personal injury, reduced unit performance and/or hazardous conditions may result from the use of such non-approved devices.

#### WARNING

**HIGH VOLTAGE!**  
Disconnect ALL power before servicing or installing this unit. Multiple power sources may be present. Failure to do so may cause property damage, personal injury or death.



#### WARNING

Connecting unit duct work to unauthorized heat producing devices such as a fireplace insert, stove, etc. may result in property damage, fire, carbon monoxide poisoning, explosion, personal injury or death.

#### WARNING

This product contains or produces a chemical or chemicals which may cause serious illness or death and which are known to the State of California to cause cancer, birth defects or other reproductive harm.

#### WARNING

To avoid property damage, personal injury or death, do not use this unit if any part has been under water. Immediately call a qualified service technician to inspect the furnace and to replace any part of the control system and any gas control having been under water.

#### WARNING

This unit must not be used as a "construction heater" during the finishing phases of construction on a new structure. This type of use may result in premature failure of the unit due to extremely low return air temperatures and exposure to corrosive or very dirty atmospheres.

#### WARNING

To prevent the risk of property damage, personal injury, or death, do not store combustible materials or use gasoline or other flammable liquids or vapors in the vicinity of this appliance.

## CODES AND REGULATIONS

The \*PC/\*PH M-series air conditioners and heat pumps are designed for OUTDOOR USE ONLY. \*PH M-Series is available in cooling capacities of 2, 2-1/2, 3, 3-1/2, 4 and 5 nominal tons of cooling. \*PC M-Series is available in cooling capacities of 2, 2-1/2, 3, 3-1/2, 4 and 5 nominal tons of cooling. Optional field installed heat kits are available in 5, 8, 10, 15 and 20 kW. The units can be easily installed in manufactured or modular homes with existing high-static duct work. The units can also be easily converted to accommodate a plenum for normal or low-static applications. The \*PC/\*PH M-series are self contained packaged units so the only connections needed for installation are the supply and return ducts, the line and low voltage wiring and drain connection. Rated performance is achieved after 20 hours of operation. Rated performance is delivered at the specified airflow. See outdoor unit specification sheet for split system models or product specification sheet for packaged and light commercial models. Specification sheets can be found at [www.goodmanmfg.com](http://www.goodmanmfg.com) for Goodman® brand products or [www.amana-hac.com](http://www.amana-hac.com) for Amana® brand products. Within either website, please select the residential or commercial products menu and then select the submenu for the type of product to be installed, such as air conditioners or heat pumps, to access a list of product pages that each contain links to that model's specification sheet.

The information on the rating plate is in compliance with the FTC & DOE rating for single phase units. The efficiency ratings of these units are a product of thermal efficiency determined under continuous operating conditions independent of any installed system.

### EPA REGULATIONS

**IMPORTANT: THE UNITED STATES ENVIRONMENTAL PROTECTION AGENCY (EPA) HAS ISSUED VARIOUS REGULATIONS REGARDING THE INTRODUCTION AND DISPOSAL OF REFRIGERANTS IN THIS UNIT. FAILURE TO FOLLOW THESE REGULATIONS MAY HARM THE ENVIRONMENT AND CAN LEAD TO THE IMPOSITION OF SUBSTANTIAL FINES. BECAUSE REGULATIONS MAY VARY DUE TO PASSAGE OF NEW LAWS, WE SUGGEST A CERTIFIED TECHNICIAN PERFORM ANY WORK DONE ON THIS UNIT. SHOULD YOU HAVE ANY QUESTIONS PLEASE CONTACT THE LOCAL OFFICE OF THE EPA.**

### NATIONAL CODES

This product is designed and manufactured to permit installation in accordance with National Codes. It is the installer's responsibility to install the product in accordance with National Codes and/or prevailing local codes and regulations.

## MAJOR COMPONENTS

The unit includes a hermetically sealed refrigerating system (consisting of a compressor, condenser coil, evaporator coil with flowrator), an indoor blower, a condenser fan and all necessary internal electrical wiring. The heat pump also includes a reversing valve, solenoid, defrost thermostat and control and loss of charge protection. The system is factory-evacuated, charged and performance tested. Refrigerant amount and type are indicated on rating plate.

## PRE-INSTALLATION CHECKS

Before attempting any installation, the following points should be considered:

- Structural strength of supporting members
- Clearances and provision for servicing
- Power supply and wiring
- Air duct connections
- Drain facilities and connections
- Location may be on any four sides of a home, manufactured or modular, to minimize noise

## CLEARANCES AND ACCESSIBILITY

The unit is designed to be located outside the building with unobstructed condenser air inlet and discharge. Additionally, the unit must be situated to permit access for service and installation. Condenser air enters from three sides. Air discharges upward from the top of the unit. Refrigerant gauge connections are made on the right side of the unit as you face the compressor compartment. Electrical connections can be made either on the right, bottom or duct panel side of the unit. The best and most common application is for the unit to be located 10" from wall (4" minimum) with the connection side facing the wall. This "close to the wall" application minimizes exposed wiring.

Close to the wall application assures free, unobstructed air to the other two sides. In more confined application spaces, such as corners provide a minimum 12" clearance on all air inlet sides. Allow 36" minimum for service access to the compressor compartment and controls. The top of the unit should be completely unobstructed. If units are to be located under an overhang, there should be a minimum of 48" clearance and provisions made to deflect the warm discharge air out from the overhang.

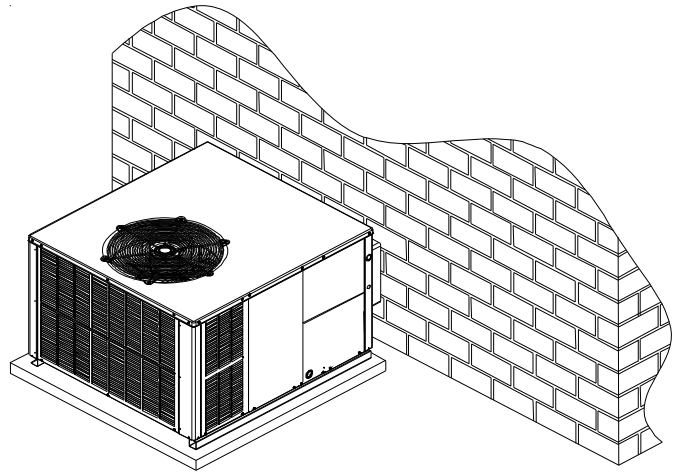
## UNIT LOCATION

Consider the affect of outdoor fan noise on conditioned space and any adjacent occupied space. It is recommended that the unit be placed so that condenser air discharge does not blow toward windows less than 25 feet away. Consideration should also be given to shade and unit appearance.

Heat pumps require special location consideration in areas of heavy snow accumulation and/or areas with prolonged continuous subfreezing temperatures. Heat pump unit bases have holes under the outdoor coil to permit drainage of defrost water accumulation. The unit must be situated to permit free unobstructed drainage of the defrost water and ice. A minimum 2" clearance under the outdoor coil is required in the milder climates.

## GROUND LEVEL PRE-INSTALLATION DETAILS

The unit should be set on a solid, level foundation - preferably a concrete slab at least 4 inches thick. The slab should be above ground level and surrounded by a graveled area for good drainage. Any slab used as a unit's foundation should not adjoin the building as it is possible that sound and vibration may be transmitted to the structure.



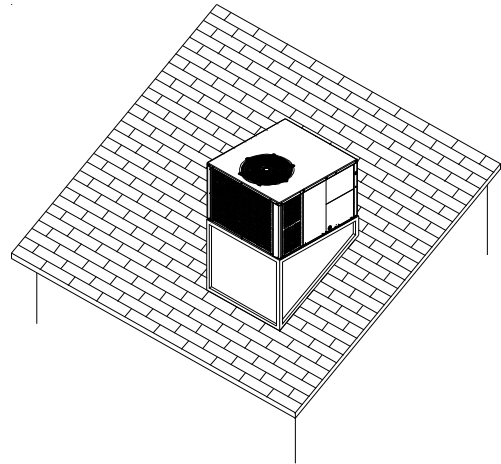
**Ground Level Installation**

## ROOF TOP PRE-INSTALLATION DETAILS

Ensure that the roof is weather tight and allows proper drainage of condensation. Use steel or treated wood beams as unit support for load distribution.

**NOTE:** To ensure proper condensate drainage, unit must be installed in a level position.

- To avoid possible property damage or personal injury, the roof must have sufficient structural strength to carry the weight of the unit(s) and snow or water loads as required by local codes. Consult a structural engineer to determine the weight capabilities of the roof.
- The unit may be installed directly on wood floors or on Class A, Class B, or Class C roof covering material.
- To avoid possible personal injury, a safe, flat surface for service personnel should be provided.



**Rooftop Installation**

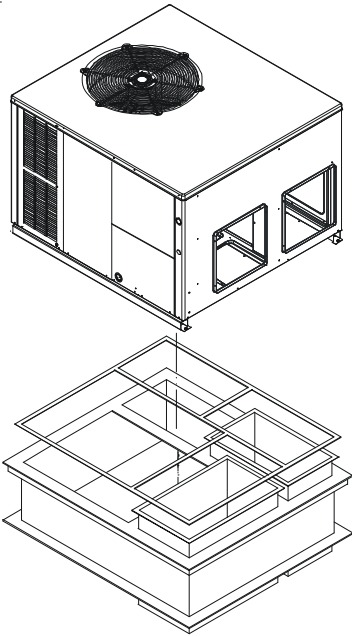
## ROOF CURB INSTALLATIONS ONLY

**NOTE:** Sufficient structural support must be determined prior to locating and mounting the curb and package unit.

Curb insulation, cant strips, flashing and general roofing material are furnished by the contractor.

Curbing must be installed in compliance with the National Roofing Contractors Association Manual. Construct duct work using current industry guidelines. The duct work must be placed into the roof curb **before** mounting the package unit.

# CIRCULATING AIR AND FILTERS



Roof Curb Installation

## RIGGING DETAILS

**! WARNING**

TO PREVENT PROPERTY DAMAGE, THE UNIT SHOULD REMAIN IN AN UPRIGHT POSITION DURING ALL RIGGING AND MOVING OPERATIONS. TO FACILITATE LIFTING AND MOVING WHEN A CRANE IS USED, PLACE THE UNIT IN AN ADEQUATE CABLE SLING.

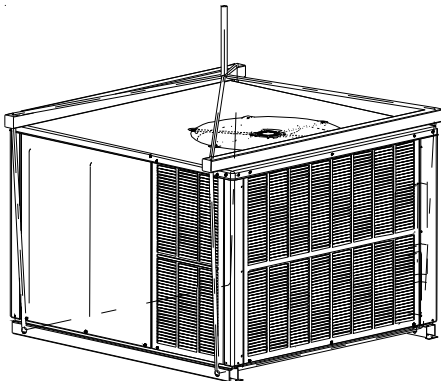
**! WARNING**

TO AVOID POSSIBLE PROPERTY DAMAGE, PERSONAL INJURY OR DEATH, ENSURE THE ROOF HAS SUFFICIENT STRUCTURAL STRENGTH TO CARRY THE WEIGHT OF THE UNIT(S), ROOF CURB, SNOW LOADS, AND WATER LOADS AS REQUIRED BY LOCAL CODES. CONSULT A STRUCTURAL ENGINEER TO DETERMINE THE WEIGHT CAPABILITIES OF THE ROOF.

**! CAUTION**

TO AVOID POSSIBLE PERSONAL INJURY, A SAFE, FLAT SURFACE FOR SERVICE PERSONNEL SHOULD BE PROVIDED.

**IMPORTANT:** If using bottom discharge with roof curb, duct work should be attached to the curb prior to installing the unit. Lower unit carefully onto roof mounting curb. While rigging unit, center of gravity will cause condenser end to be lower than supply air end.



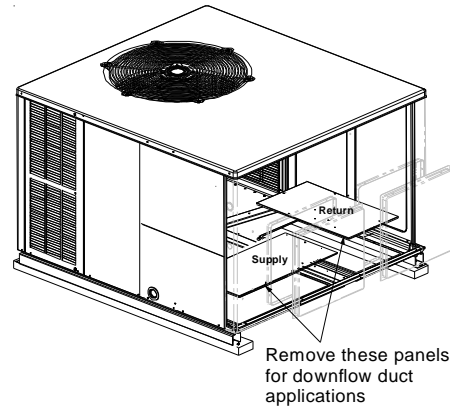
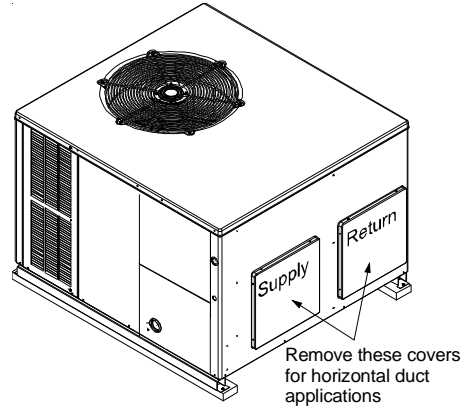
Rigging

## AIRFLOW CONVERSION

Units can easily be converted from horizontal to down-discharge air-flow delivery. In down-discharge or high static installations, the installer should measure the total external static and review the blower performance charts before performing the installation. In some installations it will be necessary to change the blower speed to provide proper air flow.

### Horizontal Air Flow

Single phase models are shipped without horizontal duct covers. If needed, these kits may be ordered through Goodman's Service Parts department.



### Duct Cover Installation

#### Down Discharge Applications

Cut insulation around bottom openings and remove panels from the bottom of the unit, saving the screws holding the panels in place.

**NOTE:** Single phase models require installation of horizontal duct kit #20464501PDGK (medium chassis) and #20464502PDGK (large chassis).

## DUCT WORK

Duct systems and register sizes must be properly designed for the C.F.M. and external static pressure rating of the unit. Duct work should be designed in accordance with the recommended methods of Air Conditioning Contractors of America Manual D (Residential) or Manual Q (Commercial). All ductwork exposed to the outdoors must include a weatherproof barrier and adequate insulation.

A duct system should be installed in accordance with Standards of the National Board of Fire Underwriters for the Installation of Air Condi-

tioning, Warm Air Heating and Ventilating Systems, Pamphlets No. 90A and 90B.

The supply duct from the unit through a wall may be installed without clearance. However, minimum unit clearances as shown in the appendix must be maintained. The supply duct should be provided with an access panel large enough to inspect the air chamber downstream of the heat exchanger. A cover should be tightly attached to prevent air leaks.

For duct flange dimensions on the unit refer to the Unit Dimension illustration in the appendix.

For down-discharge applications, the ductwork should be attached to the roof curb prior to installing the unit. Duct work dimensions are shown in the roof curb installation manual.

If desired, supply and return duct connections to the unit may be made with flexible connections to reduce possible unit operating sound transmission.

## FILTERS



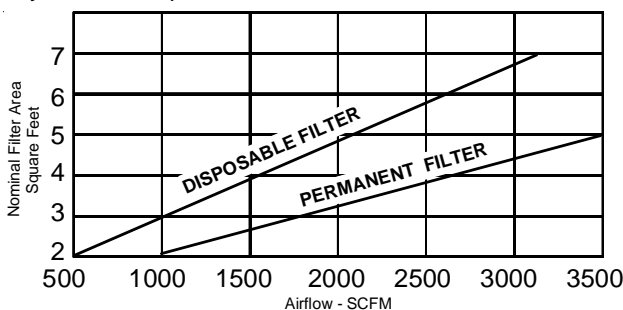
**TO PREVENT PROPERTY DAMAGE DUE TO FIRE AND LOSS OF EQUIPMENT EFFICIENCY OR EQUIPMENT DAMAGE DUE TO DUST AND LINT BUILD UP ON INTERNAL PARTS, NEVER OPERATE UNIT WITHOUT AN AIR FILTER INSTALLED IN THE RETURN AIR SYSTEM.**

Filters are not provided with unit and must be supplied and externally installed in the return duct system by the installer. An optional factory approved internal filter rack may also be used. A field-installed filter grille is recommended for easy and convenient access to the filters for periodic inspection and cleaning. When installing filters, ensure the air flow arrows on the filter are pointing toward the circulator blower.

Refer to the unit filter size chart below for filter size information.

MINIMUM FILTER SIZE	
NOMINAL SIZE (INCHES)	NOMINAL AREA (SQ. FT.)
10x20	1.4
14x20	1.9
14x25	2.4
15x20	2.1
16x20	2.2
16x25	2.8
20x20	2.8
20x25	3.5
25x25	4.3

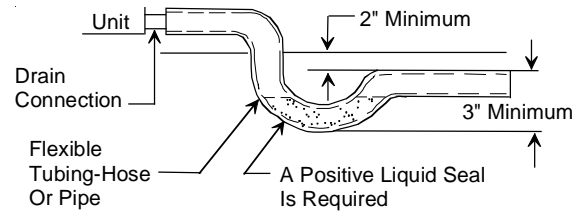
**NOTE:** Filters must have adequate face area for the rated quantity of the unit. See the air delivery table below for recommended filter size. Size the filters in accordance with their manufacturer recommendations. Throwaway filters must be sized for a maximum face velocity of 300 feet per minute.



## PIPING

## CONDENSATE DRAIN

The condensate drain connection of the evaporator is a half coupling of 3/4" N.P.T. A trap must be provided to have Proper condensate drainage.



Install condensate drain trap as shown. Use 3/4" drain connection size or larger. Do not operate without trap. Unit must be level or slightly inclined toward drain.

## WIRING

**NOTE:** All wiring should be made in accordance with the National Electrical Code.

Consult your local Power Company to determine the availability of sufficient power to operate the unit. Check the voltage, frequency, and phase at the power supply to ensure it corresponds to the unit's RATED VOLTAGE REQUIREMENT.

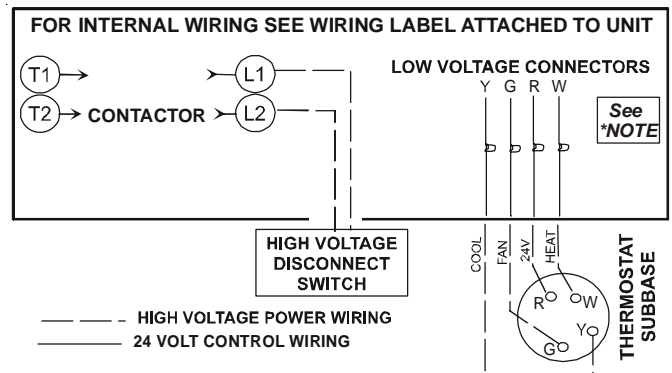
In accordance with the N.E.C. or local codes, install a branch circuit fused disconnect near the unit. Determine wire sizes and overcurrent protection from the unit nameplate ampacity and in accordance with the Branch Circuit Ampacity table on the next page or the N.E.C. The wiring should **never** be sized smaller than is recommended by either of these two sources.

Fuses smaller than that recommended on the rating plate could result in unnecessary fuse failure or service calls. The use of protective devices of larger size than indicated could result in extensive damage to the equipment. The manufacturer bears no responsibility for damage caused to equipment as result of the use of larger than is recommended size protective devices.

All units have undergone a run test prior to packaging for shipment. This equipment has been started at minimum rated voltage and checked for satisfactory operation. Do not attempt to operate this unit if the voltage is not within the minimum and maximum voltages shown on nameplate.

All exterior wiring must be within approved weatherproof conduit. The unit must be **permanently grounded** in accordance with local codes, or in absence of local codes, with N.E.C ANSI/ NFPA NO. 70-1984 or latest edition by using ground lug in the control box.

Fuses or HACR type circuit breakers may be used where codes permit.



**\*NOTE:** LOW VOLTAGE CONNECTORS do not apply to heat pumps with electric heat. LOW VOLTAGE CONNECTORS apply ONLY to \*PC units with electric heat.

**IMPORTANT NOTE:** Some single phase units are equipped with a single-pole contactor. Exercise caution when servicing as only one leg of the power supply is broken with the contractor.

To wire the unit, make the following high and low voltage connections.

 <b>WARNING</b>
<b>HIGH VOLTAGE!</b> DISCONNECT ALL POWER BEFORE SERVICING OR INSTALLING THIS UNIT. MULTIPLE POWER SOURCES MAY BE PRESENT. FAILURE TO DO SO MAY CAUSE PROPERTY DAMAGE, PERSONAL INJURY OR DEATH.

 <b>CAUTION</b>
TO AVOID PROPERTY DAMAGE OR PERSONAL INJURY DUE TO FIRE, USE ONLY COPPER CONDUCTORS.

 <b>CAUTION</b>
TO AVOID THE RISK OF ELECTRICAL SHOCK, WIRING TO THE UNIT MUST BE POLARIZED AND GROUNDED.

**HIGH VOLTAGE WIRING**

- Single Phase- Two leads should be connected to terminals L1 & L2 in the electrical control section, using wire sizes specified in wiring table.

**LOW VOLTAGE WIRING**

- Air Conditioners- Connect 24V wires from the thermostat to the corresponding wires in the control box using No. 18 AWG as follows:

LEAD	THERMOSTAT
Red	R (24V)
Green	G (Fan)
Yellow	Y (Cool)
White	W1 (Heat)*
Brown	W2 (Heat)*
Blue	C (Common)

\*Optional field installed heat connections

- Heat Pumps- Connect 24V wires from the thermostat to the corresponding wires in the control box using No. 18 AWG as follows:

TERMINAL	THERMOSTAT
Red	R (24V)
Green	G (Fan)
Orange	O (Rev. Valve)
White	W1 (Heat, 2nd)*
Brown	W2 (Heat 3rd)*
Yellow	Y (Cool)
Blue	C (Common)

\*Optional field installed heat connections

**INTERNAL WIRING**

A diagram detailing the internal wiring of this unit is located on the electrical box cover. If any of the original wire supplied with the appliance must be replaced, the wire gauge and insulation must be the same as the original wiring.


Transformer is wired for 230 volts on the 208/230 models. See wiring diagram for 208 volt wiring.

1. For branch circuit wiring (main power supply to unit disconnect), the minimum wire size for the length of run can be determined using the circuit ampacity found on the unit rating plate and the table below. From the unit disconnect to unit, the smallest wire size allowable may be used for the ampacity, **as the Disconnect must be in sight of the unit.**

BRANCH CIRCUIT AMPACITY	15	20	25	30	35	40	45	50
SUPPLY WIRE LENGTH - FEET								
200	6	4	4	4	3	3	2	2
150	8	6	6	4	4	4	3	3
100	10	8	8	6	6	6	4	4
50	14	12	10	10	8	8	6	6

2. Wire size based on 60° C rated wire insulation and 30° C Ambient Temperature (86° F).
3. For more than 3 conductors in a raceway or cable, see the N.E.C. for derating the ampacity of each conductor.

**STARTUP, ADJUSTMENTS, AND CHECKS**

 <b>WARNING</b>
<b>HIGH VOLTAGE!</b> DISCONNECT ALL POWER BEFORE SERVICING OR INSTALLING THIS UNIT. MULTIPLE POWER SOURCES MAY BE PRESENT. FAILURE TO DO SO MAY CAUSE PROPERTY DAMAGE, PERSONAL INJURY OR DEATH.

**START-UP PROCEDURE AND CHECKLIST**

With power turned off at all disconnects:

1. Turn thermostat system switch to "COOL" and fan switch to "AUTO". Next, turn the temperature setting as high as it will go.
2. Inspect all registers and set them to the normal open position.
3. Turn on the electrical supply at the disconnect.
4. Turn the fan switch to the "ON" position. The blower should operate after a 7-second delay (10 seconds for models with EEM motors).
5. Turn the fan switch to "AUTO" position. The blower should stop after a 65-second delay (60 seconds for models with EEM motors).
6. Slowly lower the cooling temperature until the unit starts. The compressor, blower and fan should now be operating. Allow the unit to run 10 minutes, make sure cool air is being supplied by the unit.
7. Turn the temperature setting to the highest position, stopping the unit. The indoor blower will continue to run for 65-seconds (60 seconds for models with EEM motors).
8. Turn the thermostat system switch to "OFF" and disconnect all power when servicing the unit.

## HEAT PUMP START-UP PROCEDURE

1. Check the cooling mode for the heat pump in the same manner as above. The reversing valve is energized when the thermostat is placed in the cooling position. A clicking sound should be noticeable from the reversing valve. By lowering the temperature setting to call for cooling, the contactor is energized. The compressor, blower and fan should then be running. After the cooling mode is checked out, turn the thermostat system switch to "OFF".
2. Turn the thermostat system switch to "HEAT" and fan switch to "AUTO".
3. Slowly raise the heating temperature setting. When the heating first stage makes contact, stop raising the temperature setting. The compressor, blower and fan should now be running with the reversing valve in the de-energized (heating) position. After giving the unit time to settle out, make sure the unit is supplying heated air.
4. If the outdoor ambient is above 80°F, the unit may trip on its high pressure cut out when in heating. The compressor should stop. The heating cycle must be thoroughly checked, so postpone the test to another day when conditions are more suitable. **DO NOT FAIL TO TEST.**
5. If the outdoor ambient is low and the unit operates properly in the heating cycle, you may check the pressure cutout operation by blocking off the indoor return air until the unit trips.
6. If unit operates properly in the heating cycle, raise the temperature setting until the heating second stage makes contact. Supplemental resistance heat, if installed should now come on. Make sure it operates properly.  
**NOTE:** If outdoor thermostats are installed, the outdoor ambient must be below the set point of these thermostats for the heaters to operate. It may be necessary to jumper these thermostats to check heater operation if outdoor ambient is mild.
7. For thermostats with emergency heat switch, return to step 6. The emergency heat switch is located at the bottom of the thermostat. Move the switch to emergency heat. The heat pump will stop, the blower will continue to run, all heaters will come on and the thermostat emergency heat indicator will come on.
8. If checking the unit in the wintertime, when the outdoor coil is cold enough to actuate the defrost control, observe at least one defrost cycle to make sure the unit defrosts completely.

## FINAL SYSTEM CHECKS

1. Check to see if all supply and return air grilles are adjusted and the air distribution system is balanced for the best compromise between heating and cooling.
2. Check for air leaks in the ductwork.
3. See Sections on ***Air Flow Measurement and Adjustment and Checking Charge.***
4. Make sure the unit is free of "rattles", and the tubing in the unit is free from excessive vibration. Also make sure tubes or lines are not rubbing against each other or sheet metal surfaces or edges. If so, correct the trouble.
5. Set the thermostat at the appropriate setting for cooling and heating or automatic changeover for normal use.

6. Be sure the Owner is instructed on the unit operation, filter, servicing, correct thermostat operation, etc.

The foregoing "Start-up Procedure and Check List" is recommended to serve as an indication that the unit will operate normally.

## COMPONENTS

### Crankcase Heater

This item is "ON" whenever power is supplied to the unit and the crankcase heater thermostat is closed. Crankcase heater thermostat closes at 67° and opens at 85°. It warms the compressor crankcase thereby preventing liquid migration and subsequent compressor damage. The insert type heater is self regulating. It is connected electrically to the contactor L1 and L2 terminals.

### Condenser Motor

This item is activated by the contactor during heating and cooling, except during defrost and emergency heat operation.

### Compressor

This item is activated by the contactor for heating and cooling, except during emergency heat. It is protected by an internal overload.

### Contactor Relay

This control is activated by the thermostat (24V coil) and supplies power to the compressor and condenser fan motor.

### Defrost Control

The Defrost control provides time/temperature initiation and termination of the defrost cycle. When a Defrost cycle is initiated, the defrost control shifts the reversing valve to "COOLING" mode, stops the outdoor fan and brings on supplemental heat. Normally, a Defrost cycle will take only 2-3 minutes unless system is low on charge or outdoor conditions are severe. (windy and cold). The defrost control also provides for a 3 minute off cycle compressor delay.

### Outdoor Thermostat

These optional controls are used to prevent full electric heater operation at varying outdoor ambient (0° F-to 45° F). They are normally open above their set points and closed below to permit staging of indoor supplement heater operation. If the outdoor ambient temperature is below 0° F (-18° C) with 50% or higher RH, an outdoor thermostat (OT) must be installed and set at (0°) on the dial. Failure to comply with this requirement may result in damage to the product which may not be covered by the manufacturer's warranty.

### Reversing Valve Coil

This coil is activated by the thermostat, in the cooling mode and during defrost. It positions the reversing valve pilot valve for cooling operation.

### Indoor Blower Motor

This is activated by the room thermostat by COOLING or FAN ON position. The motor is energized through the EBTDR for PSC motors and directly by the room thermostat for EEM motors. EEM motors are constant torque motors with very low power consumption. This motor is energized by a 24V signal from the thermostat. (See *Air Flow Measurement and Adjustment* for speed adjustment instructions).

### Blower Interlock Relay

This relay is used to energize the blower during the electric heat operation. Some room thermostats do not energize the motor during electric heat. This relay insures blower operation when the room thermostat energizes heat. This relay has a 240 volt coil and an 8 amp contact relay. This relay is energized by the electric heat kit sequencer.

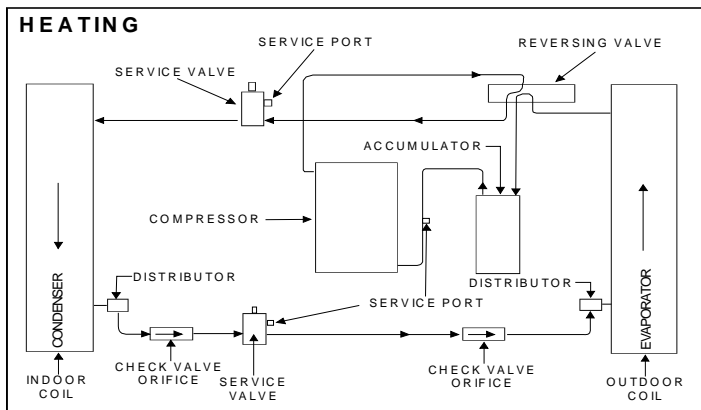
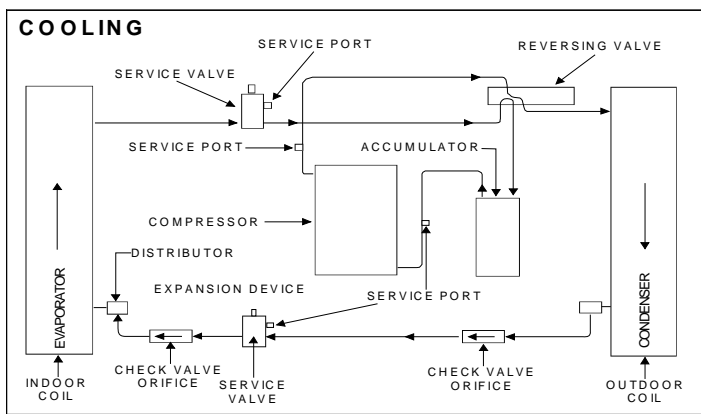
# HEAT PUMP OPERATION

## COOLING CYCLE

When the heat pump is in the cooling cycle, it operates exactly as a Summer Air Conditioner unit. In this mode, all the charts and data for service that apply to summer air conditioning apply to the heat pump. Most apply on the heating cycle except that “condenser” becomes “evaporator”, “evaporator” becomes “condenser”, “cooling” becomes “heating”.

## HEATING CYCLE

The heat pump operates in the heating cycle by redirecting refrigerant flow through the refrigerant circuit external to the compressor. This is accomplished with the reversing valve. Hot discharge vapor from the compressor is directed to the indoor coil (evaporator in the cooling cycle) where the heat is removed, and the vapor condenses to liquid. It then goes through the expansion device to the outdoor coil (condenser in the cooling cycle) where the liquid is evaporated, and the vapor goes to the compressor.



When the solenoid valve coil is operated either from heating to cooling or vice versa, the piston in the reversing valve to the low pressure (high pressure) reverse positions in the reversing valve.

The following figures show a schematic of a heat pump in the cooling cycle and the heating cycle. In addition to a reversing valve, a heat pump is equipped with an expansion device and check valve for the indoor coil, and similar equipment for the outdoor coil. It is also provided with a defrost control system.

The expansion devices are flowrator distributors and perform the same function in the heating cycle as in the cooling cycle. The flowrator distributors also act as check valves to allow for the reverse of refrigerant flow.

When the heat pump is in the heating cycle, the outdoor coil is functioning as an evaporator. The temperature of the refrigerant in the outdoor coil must be below the temperature of the outdoor air in order to extract heat from the air. Thus, the greater the difference in the outdoor temperature and the outdoor coil temperature, the greater the heating capacity of the heat pump. This phenomenon is a characteristic of a heat pump. It is a good practice to provide supplementary heat for all heat pump installations in areas where the temperature drops below 45° F. It is also a good practice to provide sufficient supplementary heat to handle the entire heating requirement should there be a component failure of the heat pump, such as a compressor, or refrigerant leak, etc.

Since the temperature of the refrigerant in the outdoor coil on the heating cycle is generally below freezing point, frost forms on the surfaces of the outdoor coil under certain weather conditions of temperature and relative humidity. Therefore, it is necessary to reverse the flow of the refrigerant to provide hot gas in the outdoor coil to melt the frost accumulation. This is accomplished by reversing the heat pump to the cooling cycle. At the same time, the outdoor fan stops to hasten the temperature rise of the outdoor coil and lessen the time required for defrosting. The indoor blower continues to run and the supplementary heaters are energized.

## DEFROST CONTROL

During operation the power to the circuit board is controlled by a temperature sensor, which is clamped to a feeder tube entering the outdoor coil. Defrost timing periods of 30, 60 and 90 minutes may be selected by setting the circuit board jumper to 30, 60 and 90 respectively. Accumulation of time for the timing period selected starts when the sensor closes (approximately 31° F), and when the wall thermostat calls for heat. At the end of the timing period, the unit's defrost cycle will be initiated provided the sensor remains closed. When the sensor opens (approximately 75° F), the defrost cycle is terminated and the timing period is reset. If the defrost cycle is not terminated due to the sensor temperature, a twelve minute override interrupts the unit's defrost period.

## SUGGESTED FIELD TESTING/TROUBLE SHOOTING

1. Run unit in the heating mode (room thermostat calling for heat).
2. Check unit for proper charge. **Note: Bands of frost on the condenser coil indicate low refrigerant charge.**
3. Shut off power to unit.
4. Disconnect outdoor fan by removing the outdoor fan motor wire from "DF2" on defrost control.
5. Restart unit and allow frost to accumulate.
6. After a few minutes of operation, the unit's defrost thermostat should close. To verify this, check for 24 volts between "DFT" and "C" on board. If the temperature at the thermostat is less than 28° F and the thermostat is open, replace the unit's defrost thermostat, as it is defective.
7. When the unit's defrost thermostat has closed, short the test pins on the defrost board until the reversing valve shifts, indicating defrost. This should take up to 22 seconds depending on what timing period the control is set on. After defrost initiation, the short must instantly be removed or the unit's defrost period will only last 3 seconds.

8. The control is shipped from the factory with the compressor delay option selected. This will de-energize the compressor contactor for 30 seconds on defrost initiation and defrost termination. If the jumper is set to Normal, the compressor will continue to run during defrost initiation and defrost termination. The control will also ignore the low pressure switch connected to R-PS1 and PS2 for 5 minutes upon defrost initiation and 5 minutes after defrost termination.

9. After the unit's defrost thermostat has terminated, check the defrost thermostat for 24 volts between "DFT" and "C". The reading should indicate 0 volts (open sensor).

10. Shut off power to unit.

11. Replace outdoor fan motor lead to terminal "DF2" on defrost board and turn on power.

### AIRFLOW MEASUREMENT AND ADJUSTMENT

After reviewing *Duct Work* section, proceed with airflow measurements and adjustments. The unit blower curves (see Specification Sheets) are based on external static pressure (ESP per in/wc).

Model	Speed	Volts	E.S.P (In. of H <sub>2</sub> O)										
			0.1	0.2	0.3	0.4	0.5	0.6	0.7	0.8	0.9		
*PC1424M41*	T1	230	CFM	580	505	445	390	320					
			WATTS	36	46	54	60	65					
	T2/T3	230	CFM	900	850	800	740	655	605	555	490	420	
			WATTS	92	101	110	119	126	135	140	145	153	
	T4/T5	230	CFM	1230	1190	1140	1095	1040	990	920	850	785	
			WATTS	202	212	220	233	235	243	249	262	265	
*PC1430M41*	T1	230	CFM	-	550	475	415	340	270	-	-	-	
			WATTS	-	50	59	66	74	77	-	-	-	
	T2/T3	230	CFM	1070	1030	985	935	875	770	705	660	-	
			WATTS	144	153	160	169	178	184	188	200	-	
	T4/T5	230	CFM	1345	1305	1260	1220	1180	1125	1080	975	900	
			WATTS	258	273	272	283	292	298	306	310	320	
*PC1436M41*	T1	230	CFM	1070	1030	980	935	870	775	720	665	-	
			WATTS	145	161	165	173	181	190	198	202	-	
	T2/T3	230	CFM	1285	1245	1205	1165	1110	1060	1005	910	860	
			WATTS	238	246	258	264	263	282	288	296	296	
	T4/T5	230	CFM	1505	1465	1420	1385	1335	1300	1250	1205	1150	
			WATTS	359	371	384	383	393	398	406	416	422	
*PC1442M41*	T1	230	CFM	1035	995	945	895	845	790	695	630	580	
			WATTS	132	144	152	157	168	176	183	189	196	
	T2/T3	230	CFM	1410	1365	1330	1290	1250	1205	1155	1110	1065	
			WATTS	301	312	316	322	331	339	347	356	365	
	T4/T5	230	CFM	1545	1500	1465	1425	1385	1345	1310	1270	1225	
			WATTS	390	396	413	417	421	431	435	443	453	
*PC1448M41*	T1	230	CFM	1355	1300	1250	1210	1155	1110	1045	965	905	
			WATTS	212	228	230	246	248	261	273	282	289	
	T2/T3	230	CFM	1655	1610	1575	1530	1485	1440	1395	1340	1285	
			WATTS	365	370	383	396	410	417	416	423	434	
	T4/T5	230	CFM	1895	1855	1805	1770	1730	1685	1640	1600	1565	
			WATTS	558	558	578	584	590	594	602	612	615	
*PC1460M41*	T1	230	CFM	1360	1300	1260	1215	1175	1125	1085	1030	960	
			WATTS	213	221	233	244	255	264	273	293	304	
	T2/T3	230	CFM	1665	1630	1595	1555	1505	1475	1425	1380	1360	
			WATTS	385	405	410	409	429	441	448	454	471	
	T4/T5	230	CFM	2000	1960	1925	1875	1835	1800	1760	1725	1680	
			WATTS	642	651	660	651	672	683	691	699	695	

**NOTES:**

- Data shown is dry coil. Wet coil pressure drop is approximately: 0.1" H<sub>2</sub>O, for two-row indoor coil; 0.2" H<sub>2</sub>O, for three-row indoor coil; and 0.3" H<sub>2</sub>O, for four-row indoor coil.
- Data shown does not include filter pressure drop, approx. 0.08" H<sub>2</sub>O.
- Reduce airflow by 2% for 208-volt operation.

The duct openings on the unit are considered internal static pressure. As long as ESP is maintained, the unit will deliver the proper air up to the maximum static pressure listed for the CFM required by the application (i.e. home, building, etc.) In general, 400 CFM per ton of cooling capacity is a rule of thumb. Some applications depending on the sensible and latent capacity requirements may need only 350 CFM or up to 425 CFM per ton. Check condition space load requirements (from load calculations)

and equipment expanded ratings data to match CFM and capacity. After unit is set and duct work completed, verify the ESP with a 1-inch inclined manometer with pitot tubes or a Magnahelic gauge and confirm CFM to blower curves in the Specification Sheets. All units have three-speed blower motors. If low speed is not utilized, the speed tap can be changed to medium or high speed.

**NOTE:** Never run CFM below 350 CFM per ton, evaporator freezing or poor unit performance is possible.

Horizontal Model	Speed	Volts	E.S.P. (In. of H <sub>2</sub> O)											
			0.1	0.2	0.3	0.4	0.5	0.6	0.7	0.8	0.9			
*PH1424M41*	T1	230	CFM	782	709	652	561							
			Watts	71	78	86	100							
	T2/T3	230	CFM	941	872	777	746	614						
			Watts	105	112	113	128	138						
	T4/T5	230	CFM	1347	1315	1256	1194	1152	1096	1051	972	891		
			Watts	239	256	265	271	282	286	293	297	305		

Horizontal Model	Speed	Volts	E.S.P. (In. of H <sub>2</sub> O)										
			0.1	0.2	0.3	0.4	0.5	0.6	0.7	0.8	0.9		
*PH1430M41*	T1	230	CFM	851	803	712	635	575	506	460			
			Watts	79	88	91	100	114	116	120			
	T2/T3	230	CFM	1146	1098	1044	991	934	817	764	698	653	
			Watts	157	170	176	186	194	201	210	215	215	
	T4/T5	230	CFM	1440	1418	1364	1307	1265	1219	1168	1094	1049	
			Watts	290	306	312	321	326	332	348	353	360	

Horizontal Model	Speed	Volts	E.S.P. (In. of H <sub>2</sub> O)										
			0.1	0.2	0.3	0.4	0.5	0.6	0.7	0.8	0.9		
*PH1436M41*	T1	230	CFM	846	762	716	585	519					
			Watts	74	83	94	98	108					
	T2/T3	230	CFM	1278	1214	1182	1129	1072	1013	950	853	788	
			Watts	221	218	232	245	253	264	265	275	272	
	T4/T5	230	CFM	1604	1560	1507	1468	1415	1364	1321	1276	1218	
			Watts	396	402	408	424	426	423	444	454	454	

Horizontal Model	Speed	Volts	E.S.P. (In. of H <sub>2</sub> O)										
			0.1	0.2	0.3	0.4	0.5	0.6	0.7	0.8	0.9		
*PH1442M41*	T1	230	CFM	1030	955	908	826	761	678	633	563	504	
			Watts	130	126	139	143	154	168	171	181	185	
	T2/T3	230	CFM	1419	1387	1327	1274	1219	1171	1111	1041	986	
			Watts	273	281	287	298	309	315	318	326	336	
	T4/T5	230	CFM	1750	1710	1673	1611	1556	1499	1443	1399	1353	
			Watts	470	475	488	493	502	502	501	514	520	

Horizontal Model	Speed	Volts	E.S.P. (In. of H <sub>2</sub> O)										
			0.1	0.2	0.3	0.4	0.5	0.6	0.7	0.8	0.9		
*PH1448M41*	T1	230	CFM	1167	1101	1045	992	939	870	802	732	681	
			Watts	139	144	156	165	177	193	203	217	223	
	T2/T3	230	CFM	1723	1637	1598	1554	1509	1467	1420	1361	1295	
			Watts	372	370	381	390	404	411	420	427	441	
	T4/T5	230	CFM	2012	1965	1912	1871	1809	1770	1741	1691	1635	
			Watts	578	593	599	606	610	627	626	634	638	

Horizontal Model	Speed	Volts	E.S.P. (In. of H <sub>2</sub> O)										
			0.1	0.2	0.3	0.4	0.5	0.6	0.7	0.8	0.9		
*PH1460M41*	T1	230	CFM	1427	1370	1317	1273	1204	1165	1111	1058	1003	
			Watts	222	229	237	256	256	276	291	299	320	
	T2/T3	230	CFM	1935	1885	1848	1809	1755	1705	1659	1616	1567	
			Watts	498	512	515	520	541	549	559	567	569	
	T4/T5	230	CFM	2232	2188	2144	2087	2035	2017	1963	1926	1869	
			Watts	805	795	790	827	830	842	864	864	848	

Downshot Model	Speed	Volts	E.S.P. (In. of H <sub>2</sub> O)										
			0.1	0.2	0.3	0.4	0.5	0.6	0.7	0.8	0.9		
*PH1424M41*	T1	230	CFM	790	710	634	566	506					
			Watts	82	86	96	103	108					
	T2/T3	230	CFM	919	855	782	695	631	578	523			
			Watts	108	117	121	132	143	144	149			
	T4/T5	230	CFM	1312	1275	1216	1153	1096	1028	943	869	816	
			Watts	260	269	274	285	295	300	304	310	316	

Downshot Model	Speed	Volts	E.S.P. (In. of H <sub>2</sub> O)									
			0.1	0.2	0.3	0.4	0.5	0.6	0.7	0.8	0.9	
*PH1430M41*	T1	230	CFM	848	761	646	578	511				
			Watts	84	94	98	111	113				
	T2/T3	230	CFM	1103	1038	978	922	806	731	676	622	564
			Watts	162	168	179	188	199	205	208	214	219
	T4/T5	230	CFM	1401	1357	1305	1244	1179	1118	1046	934	884
			Watts	311	326	318	334	341	349	353	352	357

Downshot Model	Speed	Volts	E.S.P. (In. of H <sub>2</sub> O)									
			0.1	0.2	0.3	0.4	0.5	0.6	0.7	0.8	0.9	
*PH1436M41*	T1	230	CFM	809	730	623	542	485	441			
			Watts	73	85	92	98	107	112			
	T2/T3	230	CFM	1284	1223	1175	1097	1031	974	871	804	761
			Watts	220	227	241	247	255	262	272	277	285
	T4/T5	230	CFM	1578	1539	1498	1452	1396	1332	1279	1224	1161
			Watts	401	409	421	425	438	439	452	453	455

Downshot Model	Speed	Volts	E.S.P. (In. of H <sub>2</sub> O)									
			0.1	0.2	0.3	0.4	0.5	0.6	0.7	0.8	0.9	
*PH1442M41*	T1	230	CFM	1001	936	852	810	700	643	579	526	491
			Watts	125	133	136	154	160	166	172	177	185
	T2/T3	230	CFM	1411	1361	1299	1240	1173	1112	1048	955	887
			Watts	281	294	301	309	312	320	327	335	339
	T4/T5	230	CFM	1734	1678	1613	1558	1509	1449	1383	1341	1279
			Watts	475	485	496	504	509	505	519	514	520

Downshot Model	Speed	Volts	E.S.P. (In. of H <sub>2</sub> O)									
			0.1	0.2	0.3	0.4	0.5	0.6	0.7	0.8	0.9	
*PH1448M41*	T1	230	CFM	1155	1074	1023	969	896	805	755	667	626
			Watts	153	156	169	180	195	205	216	226	230
	T2/T3	230	CFM	1670	1596	1558	1484	1467	1383	1339	1259	1168
			Watts	383	392	399	408	419	434	436	447	449
	T4/T5	230	CFM	1949	1881	1853	1792	1753	1699	1621	1561	1522
			Watts	603	607	608	616	622	626	648	650	645

Downshot Model	Speed	Volts	E.S.P. (In. of H <sub>2</sub> O)									
			0.1	0.2	0.3	0.4	0.5	0.6	0.7	0.8	0.9	
*PH1460M41*	T1	230	CFM	1347	1293	1236	1184	1117	1054	996	934	871
			Watts	242	251	268	276	290	305	321	330	348
	T2/T3	230	CFM	1827	1780	1739	1683	1633	1588	1518	1462	1404
			Watts	529	538	548	557	557	576	578	604	601
	T4/T5	230	CFM	2111	2057	2030	1979	1947	1957	1922	1868	1818
			Watts	835	843	846	852	870	959	956	960	966

**NOTES:**

- Data shown is dry coil. Wet coil pressure drop is approximately: 0.1" H<sub>2</sub>O, for two-row indoor coil; 0.2" H<sub>2</sub>O, for three-row indoor coil; and 0.3" H<sub>2</sub>O, for four-row indoor coil.
- Data shown does not include filter pressure drop, approx. 0.08" H<sub>2</sub>O.
- Reduce airflow by 2% for 208-volt operation.

**EEM Motor**

Adjust the CFM by changing the 24V low voltage lead at the speed terminal block on the motor. (T1-Low Speed, T2 and T3-Medium Speed, T4 and T5-High Speed).

**REFRIGERANT CHARGE CHECKS**

After completing airflow measurements and adjustments, the unit's refrigerant charge must be checked. All package units are charged to the superheat method at the compressor suction line (for fixed orifice devices). After superheat is adjusted it is recommended to check unit sub-cooling at the condenser coil liquid line out. For charge adjustments, see superheat and subcooling charts shown for each model.

SUPERHEAT CAN BE DETERMINED AS FOLLOWS:

1. Read suction pressure. Determine Saturated Suction Temperature from tables or pressure gauge saturated temperature scale (R-410A).
2. Read suction line temperature.
3. Use the following formula:

**SUPERHEAT = SUCTION LINE TEMP - SAT. SUCTION TEMP**

SATURATED SUCTION PRESSURE TEMPERATURE CHART	
SUCTION PRESSURE	SATURATED SUCTION TEMPERATURE °F
PSIG	R-410A
50	1
52	3
54	4
56	6
58	7
60	8
62	10
64	11
66	13
68	14
70	15
72	16
74	17
76	19
78	20
80	21
85	24
90	26
95	29
100	31
110	36
120	41
130	45
140	49
150	53
160	56
170	60

Suction Pressure Temperature (R-410A)

**SUBCOOLING = SAT. LIQUID TEMP. - LIQUID LINE TEMP.**

SATURATED LIQUID PRESSURE TEMPERATURE CHART	
LIQUID PRESSURE	SATURATED LIQUID TEMPERATURE °F
PSIG	R-410A
200	70
210	73
220	76
225	78
235	80
245	83
255	85
265	88
275	90
285	92
295	95
305	97
325	101
355	108
375	112
405	118
415	119
425	121
435	123
445	125
475	130
500	134
525	138
550	142
575	145
600	149
625	152

Liquid Pressure Temperature (R-410A)

DESIGN SUPERHEAT / SUBCOOLING @ 95°F OUTDOOR AMBIENT TEMPERATURE		
Models #	Superheat ± 2°F	Subcooling ± 2°F
*PC1424M41	10	---
*PC1430M41	10	---
*PC1436M41	3	---
*PC1442M41	6	---
*PC1448M41	2	---
*PC1460M41	12	14
*PH1424M41	7	10
*PH1430M41	7	11
*PH1436M41	10	9
*PH1442M41	10	12
*PH1448M41	7	11
*PH1460M41	12	11

## EXPANSION VALVE (TXV) SYSTEM

### Two Speed Application (\*PH1460)

Run the unit on low stage cooling for 10 minutes until refrigerant pressures stabilize. Follow the guidelines and methods below to check unit operation and ensure that the refrigerant charge is within limits. Charge the unit on low stage.

1. Purge gauge lines. Connect service gauge manifold to access fittings. Run system at least 10 minutes to allow pressure to stabilize.
2. Temporarily install thermometer on liquid (small) line near liquid line access fitting with adequate contact and insulate for best possible reading.
3. Check subcooling and superheat. Two stage systems running on low stage with TXV application should have a subcooling and superheat within the range listed on the chart.
  - a. If subcooling and superheat are low, **adjust** TXV superheat, then check subcooling.  
**NOTE:** To adjust superheat, turn the valve stem clockwise to increase and counter clockwise to decrease.
  - b. If subcooling is low and superheat is high, **add** charge to raise subcooling then check superheat.
  - c. If subcooling and superheat are high, **adjust** TXV valve superheat, then check subcooling.
  - d. If subcooling is high and superheat is low, **adjust** TXV valve superheat and **remove** charge to lower the subcooling.  
**NOTE:** Do **NOT** adjust the charge based on suction pressure unless there is a gross undercharge.
4. Disconnect manifold set, installation is complete.

### SYSTEM CHARGING HEATING MODE

The proper method of charging a heat pump in the heat mode is by weighing the charge according to the total charge listed on the rating plate.

Measure the hot gas discharge at the compressor to ensure proper TXV setting. To ensure optimum system performance in heat mode, the TXV may require adjustment.

1. Allow the system to operate for at least 20 minutes.
2. Attach and insulate an electronic thermometer to the hot gas discharge line mid-way between the compressor and the reversing valve.  
**NOTE:** The thermometer must be well insulated to prevent ambient influences.
3. Allow the compressor to operate for about 10 additional minutes and measure the hot gas discharge temperature.
4. Using an additional electronic thermometer, measure the ambient temperature.
5. Adjust the TXV until the hot gas temperature equals 100°F + ambient temperature (+ or - 3°F). Close TXV to increase the temperature.

**NOTE:** When adjusting the TXV, allow the compressor to operate for about 10 minutes before taking readings. Do not adjust TXV more than 1/4 of a turn between readings.

## ELECTRICAL ADJUSTMENTS

This series of electric cooling and, heat pump package equipment is designed to accept a field installed electric heat kit. The unit is equipped to easily install the HKP or HKR Series single phase Electric Heat Kits. Full Installation Instructions are included in this kit. Please use this document for guidance in field equipping the package unit with electric heat.

Choose the heat kit that fits the application for the specific installation. Permanently mark the unit's nameplate with the model being installed. High and low voltage connections are detailed in the heat kit instructions.

Indoor Blower motor speed tap selection may need to be modified to accommodate normal continuous operation to prevent a nuisance trip. See following table.


Unit Model Number	Electric Heat KW				
	5	8	10	15	20
*PH*PC1424M41**	M <sub>(F)</sub>	M <sub>(F)</sub>	M <sub>(F)</sub>	H	NA
*PH*PC1430M41**	M <sub>(F)</sub>	M <sub>(F)</sub>	M <sub>(F)</sub>	H	NA
*PH*PC1436M41**	M	M	H <sub>(F)</sub>	H <sub>(F)</sub>	NA
*PH*PC1442M41**	M	M	H <sub>(F)</sub>	H <sub>(F)</sub>	NA
*PH*PC1448M41**	3 <sub>(F)</sub>	3 <sub>(F)</sub>	3 <sub>(F)</sub>	3 <sub>(F)</sub>	3 <sub>(F)</sub>
*PH*PC1460M41**	3 <sub>(F)</sub>	3 <sub>(F)</sub>	3 <sub>(F)</sub>	3 <sub>(F)</sub>	3 <sub>(F)</sub>

\*(F) - Factory Setting


Speed Taps Description: H / 4, 5 - High; M / 2, 3 - Medium; L / 1 - Low  
 3 speed (H)igh/(M)edium/(L)ow: PSC motor

4 speed (H)igh/(M)L/Medium Low / (MH) Medium High/(L)ow: PSC motor  
 1/2/3/4/5: EEM motor

## MAINTENANCE


WARNING

**HIGH VOLTAGE!**  
 DISCONNECT ALL POWER BEFORE SERVICING OR INSTALLING THIS UNIT. MULTIPLE POWER SOURCES MAY BE PRESENT. FAILURE TO DO SO MAY CAUSE PROPERTY DAMAGE, PERSONAL INJURY OR DEATH.



The Self Contained Package Air Conditioner and Heat Pump should operate for many years without excessive service calls if the unit is installed properly. However it is recommended that the homeowner inspect the unit before a seasonal start up. The coils should be free of debris so adequate airflow is achieved. The return and supply registers should be free of any obstructions. The filters should be cleaned or replaced. These few steps will help to keep the product up time to a maximum. The Troubleshooting Chart (on page 14) should help in identifying problems if the unit does not operate properly.

## SERVICE

THE FOLLOWING INFORMATION IS FOR USE BY QUALIFIED SERVICE AGENCY ONLY: OTHERS SHOULD NOT ATTEMPT TO SERVICE THIS EQUIPMENT.

### Common Causes of Unsatisfactory Operation of Heat Pump in the Heating Cycle.

#### ***INADEQUATE AIR VOLUME THROUGH INDOOR COIL***

When a heat pump is in the heating cycle, the indoor coil is functioning as a condenser. The return air filter must always be clean, and sufficient air volume must pass through the indoor coil to prevent excessive discharge pressure, and high pressure cut out.

#### ***OUTSIDE AIR INTO RETURN DUCT***

Do not introduce cold outside air into the return duct of a heat pump installation. Do not allow air entering the indoor coil to drop below 65° F. Air below this temperature will cause low discharge pressure, thus low suction pressure, and excessive defrost cycling resulting in low heating output. It may also cause false defrosting.

#### ***UNDERCHARGE***

An undercharged heat pump on the heating cycle will cause low discharge pressure resulting in low suction pressure and frost accumulation on the outdoor coil.

#### ***POOR "TERMINATING" SENSOR CONTACT***

The unit's defrost terminating sensor must make good thermal contact with the outdoor coil tubing. Poor contact may not terminate the unit's defrost cycle quickly enough to prevent the unit from cutting out on high discharge pressure.

#### ***MALFUNCTIONING REVERSING VALVE - THIS MAY BE DUE TO:***

1. **Solenoid not energized** - In order to determine if the solenoid is energized, touch the nut that holds the solenoid cover in place with a screwdriver. If the nut magnetically holds the screwdriver, the solenoid is energized and the unit is in the cooling cycle.
2. **No voltage at unit's solenoid** - Check unit voltage. If no voltage, check wiring circuit.
3. **Valve will not shift:**
  - a. **Undercharged** - check for leaks;
  - b. **Valve Body Damaged** - Replace valve;
  - c. **Unit Properly Charged** - If it is in the heating cycle, raise the discharge pressure by restricting airflow through the indoor coil. If the valve does not shift, tap it **lightly** on both ends with a screwdriver handle. **DO NOT TAP THE VALVE BODY**. If the unit is in the cooling cycle, raise the discharge pressure by restricting airflow through the outdoor coil. If the valve does not shift after the above attempts, cut the unit off and wait until the discharge and suction pressure equalize, and repeat above steps. If the valve does not shift, replace it.

## TROUBLESHOOTING CHART



### WARNING

#### HIGH VOLTAGE!

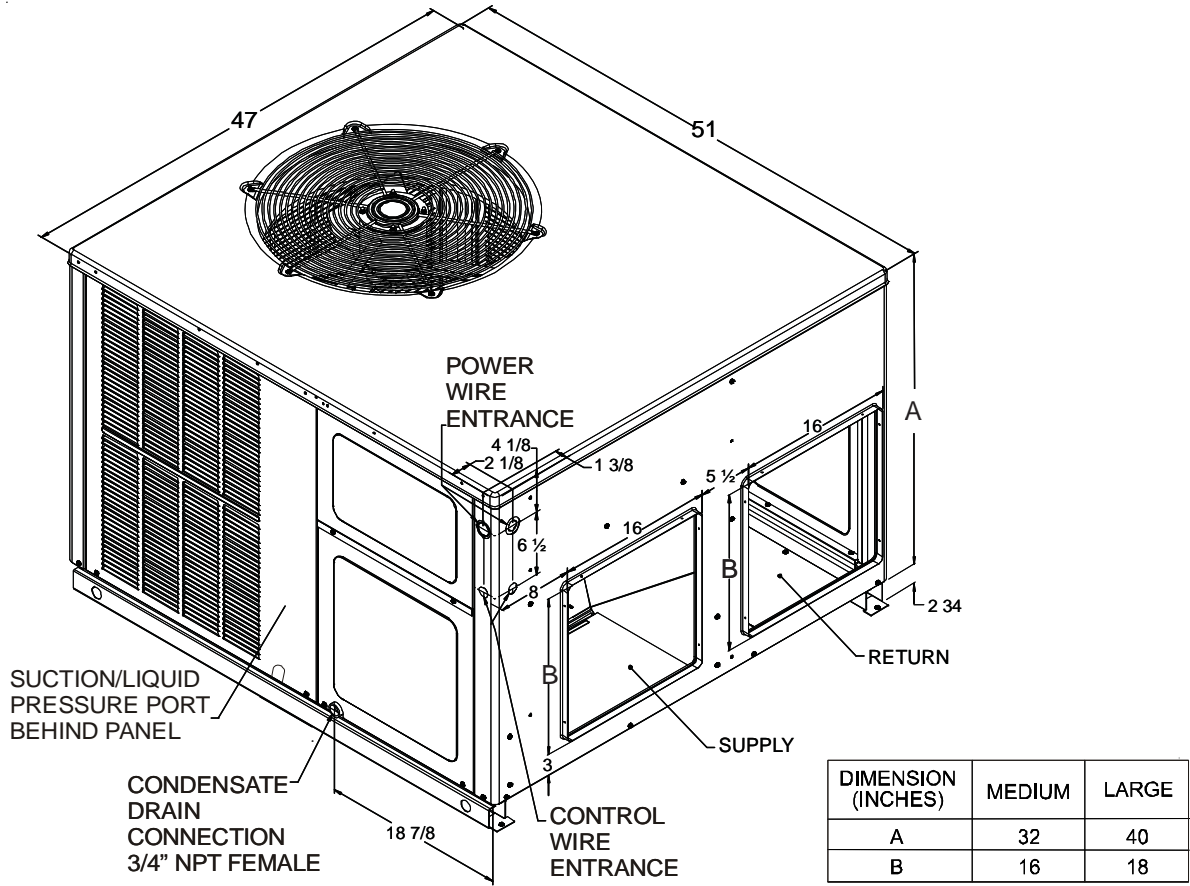
**DISCONNECT ALL POWER BEFORE SERVICING OR INSTALLING THIS UNIT. MULTIPLE POWER SOURCES MAY BE PRESENT. FAILURE TO DO SO MAY CAUSE PROPERTY DAMAGE, PERSONAL INJURY OR DEATH.**



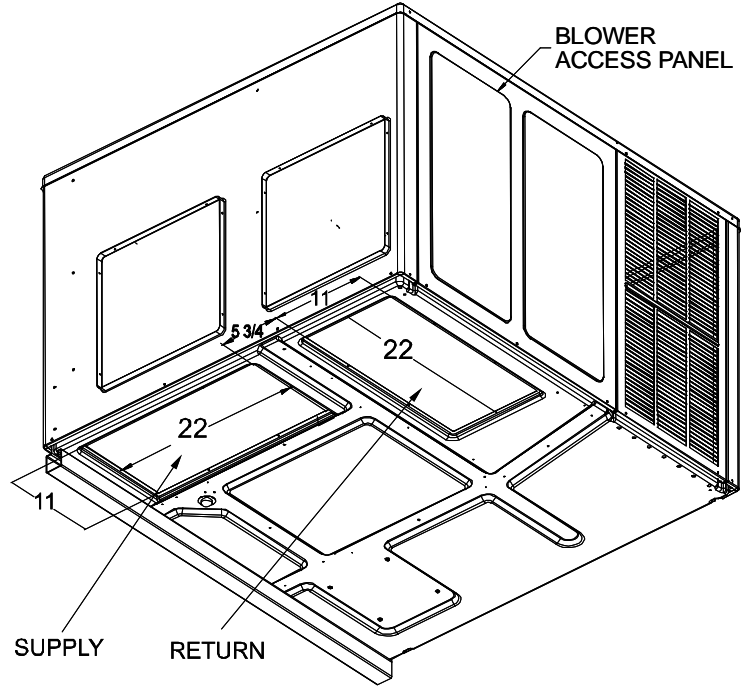
SYMPTOM	POSSIBLE CAUSE	REMEDY
High head - low suction	a. Restriction in liquid line or flowrator	a. Remove or replace with proper size flowrator.
High head - high or normal suction	a. Dirty condenser coil b. Overcharged c. Condenser fan not running	a. Clean coil. b. Correct System charge. c. Repair or Replace.
Low head - high suction	a. Incorrect flowrator b. Defective compressor valves c. Flowrator not seating properly  d. Defective reversing valve	a. Replace with correct flowrator. b. Replace compressor. c. Check for debris under flowrator or deformed flowrator. Remove debris or replace flowrator. d. Replace reversing valve.
Unit will not run	a. Power off or loose electrical connection  b. Thermostat out of calibration set too high c. Defective contactor  d. Blown fuses or tripped breaker  e. Transformer defective f. High or low pressure control open (Optional)  g. Compressor overload contacts open	a. Check for unit voltage at contactor in unit.  b. Reset. c. Check for 24 volts at contactor coil replace if contacts are open. d. Replace fuse or reset breaker.  e. Check wiring - replace transformer. f. Reset high pressure control or check unit charge.  High pressure control opens at 610 psig. Low pressure control opens at 22 psig. g. Replace compressor. NOTE: Wait at least 2 hours for overload to reset.
Condenser fan runs, compressor doesn't	a. Loose connection  b. Compressor stuck, grounded or open winding open internal overload c. Low voltage connection  d. Capacitor weak, open, or shorted	a. Check for unit voltage at compressor check & tighten all connections. b. Wait at least 2 hours for overload to reset If still open, replace the compressor. c. At compressor terminals, voltage must be within 10 % of nameplate volts when unit is operating. d. Check capacitor. If defective, replace.
Low suction - cool compressor Iced evaporator coil	a. Low indoor airflow	a. Increase speed of blower or reduce restriction - replace air filters.
Compressor short cycles	a. Defective overload protector b. Unit cycling on low pressure control	a. Replace - check for correct voltage. b. Check refrigerant charge and / or airflow.
Registers sweat	a. Low airflow	a. Increase speed of blower or reduce restriction replace air filters.
High suction pressure	a. Excessive load b. Defective compressor c. Reversing valve not seating properly.	a. Recheck load calculation. b. Replace. c. Replace.
Insufficient cooling	a. Improperly sized unit b. Improper airflow  c. Incorrect refrigerant charge.  d. Incorrect voltage	a. Recalculate load. b. Check - should be approximately 400 CFM per ton. c. Charge per procedure attached to unit service panel. d. At compressor terminals, voltage must be within 10% of nameplate volts when unit is operating.

# APPENDIX

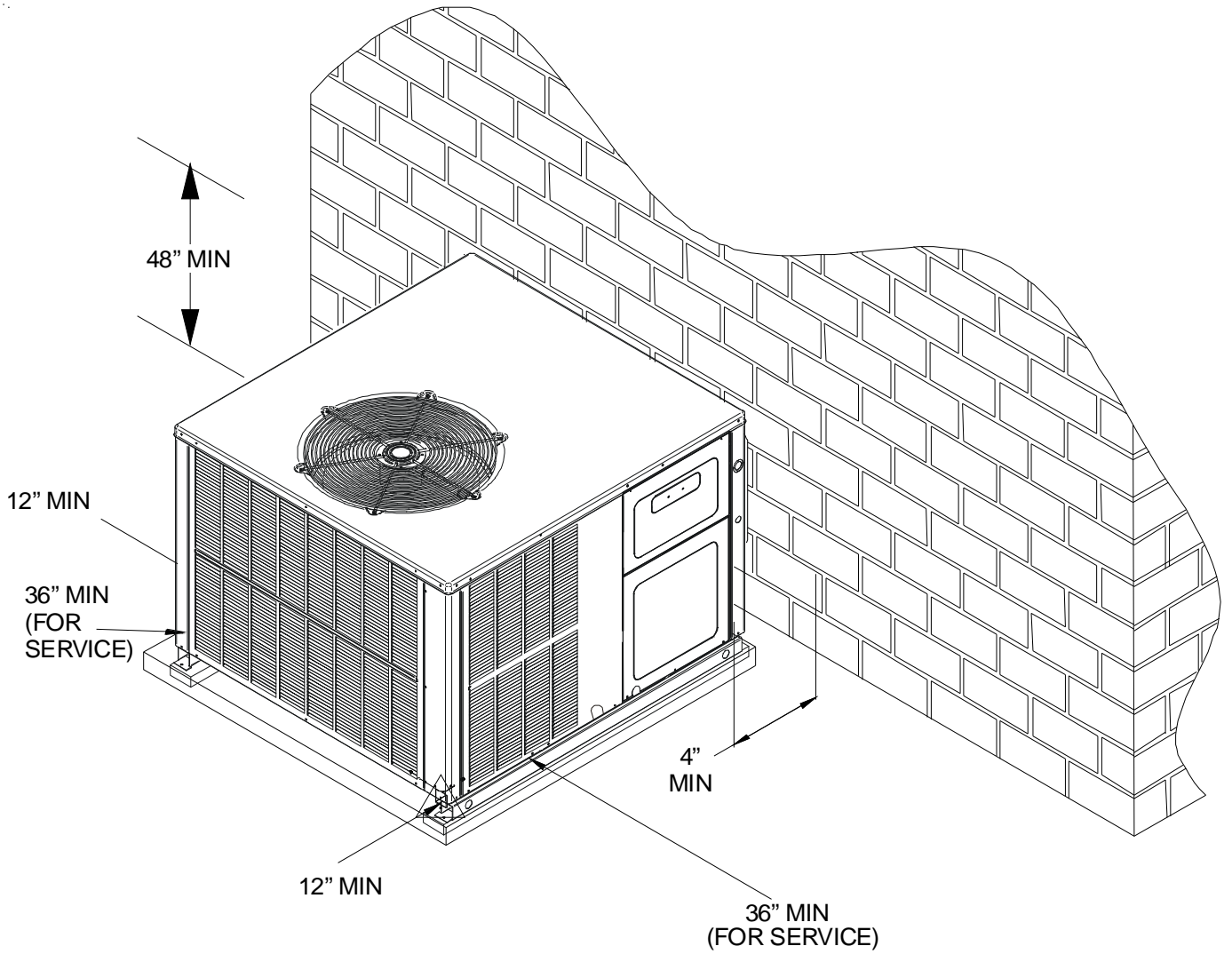
## UNIT DIMENSIONS



- MEDIUM CHASSIS**
- \*P\*1424M4\*\*
  - \*P\*1430M4\*\*
  - \*P\*1436M4\*\*
  - \*P\*1442M4\*\*
- LARGE CHASSIS**
- \*P\*1448M4\*\*
  - \*P\*1460M4\*\*



## MINIMUM CLEARANCES



NOTE: Roof overhang should be no more than 36"



## RECOMMENDED FILTER SIZES

UNIT	2 ton	2-1/2 ton	3 ton	3-1/2 ton	4 ton	5 ton
Min. Filter Size	(1) 25x25x1	(1) 25x25x1	(1) 25x25x1	(1) 25x25x1	(2) 20x20x1	(2) 20x20x1

# PACKAGE UNITS - HEAT PUMP AND AC UNITS

## HOMEOWNER'S ROUTINE MAINTENANCE RECOMMENDATIONS

We strongly recommend a bi-annual maintenance checkup be performed by a qualified service agency before the heating and cooling seasons begin.

 <b>WARNING</b> <b>HIGH VOLTAGE!</b> DISCONNECT ALL POWER BEFORE PERFORMING ANY SERVICE OR MAINTENANCE ON THIS UNIT. MULTIPLE POWER SOURCES MAY BE PRESENT. FAILURE TO DO SO MAY CAUSE PROPERTY DAMAGE, PERSONAL INJURY OR DEATH.	
--------------------------------------------------------------------------------------------------------------------------------------------------------------------------------------------------------------------------------------------------------------------------------------------------------------------------	-----------------------------------------------------------------------------------

### REPLACE OR CLEAN FILTER

**IMPORTANT NOTE:** Never operate unit without a filter installed as dust and lint will build up on internal parts resulting in loss of efficiency, equipment damage and possible fire.

A return air filter is not supplied with this unit; however, there must be a means of filtering the return air. An indoor air filter must be used with your comfort system. A properly maintained filter will keep the indoor coil of your comfort system clean. A dirty coil could cause poor operation and/or severe equipment damage.

The installer of your unit can tell you where your filter(s) are and how to clean or replace them.

Check your return filter(s) at least once every two months. When they are dirty, replace or clean as required. Disposable type filters should be replaced. Reusable type filters may be cleaned.

**NOTE:** Reusable type filters should be washed with warm water, dried completely and sprayed with an adhesive according to the manufacturers recommendations.

You may want to ask your dealer about high efficiency filters. High efficiency filters are available in both electronic and non-electronic types. These filters can do a better job of catching small airborne particles.

Improper filter maintenance is the most common cause of inadequate heating or cooling performance. Filters should be cleaned (permanent) or replaced (disposable) every two months or as required. When replacing a filter, it must be replaced with a filter of the same type and size and always make certain the air flow arrows on the filter point in the proper direction.

### CONDENSER AND EVAPORATOR MOTORS

The bearings on the air circulating blower motor and condenser motor are permanently lubricated and require no further lubrication.

### COMPRESSOR

The compressor motor is hermetically sealed and does not require additional oiling.

### ALUMINUM INDOOR COIL CLEANING (QUALIFIED SERVICER ONLY)

This unit is equipped with an aluminum tube evaporator coil. The safest way to clean the evaporator coil is to simply flush the coil with water. This cleaning practice remains as the recommended cleaning method for both copper tube and aluminum tube residential cooling coils.

An alternate cleaning method is to use one of the products listed in the technical publication **TP-109 (shipped in the literature bag with the unit)** to clean the coils. The cleaners listed are the only agents deemed safe and approved for use to clean round tube aluminum coils. TP-109 is available on the web site in Partner Link > Service Toolkit.

**NOTE:** Ensure coils are rinsed well after use of any chemical cleaners.

### ANNUAL INSPECTION (QUALIFIED SERVICER ONLY)

Your package unit should be inspected by a qualified installer, or service agency at least twice every year. This check should be performed before the heating and cooling seasons begin. This will ensure that the system is performing properly and safely. Repair as necessary.

- Check physical support of the unit. Ensure it is sound without any sagging, cracks, or gaps, around the base.
- Check for obvious signs of deterioration of the unit.
- Check both condenser and evaporator coil to make sure each are clean.
- Return Air Connection. Check for physical soundness and ensure that the connection is firmly sealed to the package unit casing.
- Wiring. Check wires for damage. Check electrical connections for tightness and/or corrosion.
- Filters. Check that filters are clean and in the proper placement in the unit or duct system.
- Louvers. Inspect air inlet louvers inside the heat exchanger compartments. Ensure the area is clean and free of dirt and debris.

### BEFORE CALLING YOUR SERVICER

- Check the thermostat to confirm that it is properly set.
- Check the disconnect switch near the unit to confirm that it is closed.
- Check the electrical panel for tripped circuit breakers or failed fuses. Reset the circuit breakers or replace fuses as necessary.
- Check for blockage of the indoor air inlets and outlets. Confirm that they are open and have not been blocked by objects (rugs, curtains or furniture).
- Check for obstructions on the unit. Confirm that it has not been covered on the sides or the top. Remove any obstruction that can be safely removed. If the unit is covered with dirt or debris, call a qualified servicer to clean it.
- Check the filter. If it is dirty, clean or replace it.

Date: \_\_\_\_\_ Location: \_\_\_\_\_  
Model Number: \_\_\_\_\_  
Serial Number: \_\_\_\_\_  
Technician: \_\_\_\_\_ Unit #: \_\_\_\_\_

## Pre Start-Up

*(Check each item as completed)*

- Verify all packaging material has been removed.
- Remove all shipping brackets per installation instructions.
- Verify the job site voltage agrees with the unit serial plate.
- Verify condensate connection is installed per installation instructions.
- Verify proper clearance around the unit for safety, service, maintenance and proper unit operation.
- Verify proper weatherproofing of all ductwork, roof curbs and electrical connections.
- Check that the flue screen is in place.
- Check gas piping for leaks.
- Verify gas pressure to the unit is within the range specified on the serial plate.
- Check to ensure that all fans, pulleys and wheels are secure.
- Check for proper belt tension and alignment per installation instructions.
- Check refrigerant piping for rubbing and leaks. *Repair if necessary.*
- Check unit wiring to ensure it is not in contact with refrigerant piping or sharp metal edges.
- Check all electrical connections and terminals. *Tighten as needed.*
- Verify that the crankcase heaters have been energized for 24 hours.
- Verify the scroll compressor(s) are rotating in the right direction.
- Verify all accessories are installed and operating correctly.
- Check filters and replace if necessary.
- Verify the installation of the thermostat.

**Start-Up**  
(Insert the values as each item is completed.)

**ELECTRICAL**

Supply Voltage	L1 - L2	_____	L2 - L3	_____	L3 - L1	_____
Circuit 1 Compressor Amps	L1	_____	L2	_____	L3	_____
Circuit 2 Compressor Amps	L1	_____	L2	_____	L3	_____
Blower Amps	L1	_____	L2	_____	L3	_____
Condenser Fan Amps	Fan 1	_____	Fan 2	_____	Fan 3	_____

**BLOWER EXTERNAL STATIC PRESSURE**

Return Air Static Pressure	_____	IN. W.C.
Supply Air Static Pressure	_____	IN. W.C.
Total External Static Pressure	_____	IN. W.C.
Blower Wheel RPM	_____	RPM

**TEMPERATURES**

Outdoor Air Temperature	_____	DB	_____	WB
Return Air Temperature	_____	DB	_____	WB
Cooling Supply Air Temperature	_____	DB	_____	WB
Heating Supply Air Temperature	_____	DB		

**PRESSURES**

Gas Inlet Pressure	_____	IN. W.C.		
Gas Manifold Pressure	_____	IN. W.C. (Low Fire)	_____	IN. W.C. (High Fire)
Suction Circuit 1	_____	PSIG	_____	°F
Superheat (Orifice System)			_____	°F
Suction Circuit 2	_____	PSIG	_____	°F
Superheat (Orifice System)			_____	°F
Discharge Circuit 1	_____	PSIG	_____	°F
Subcooling (TXV System)			_____	°F
Discharge Circuit 2	_____	PSIG	_____	°F
Subcooling (TXV System)			_____	°F

**(HEAT PUMP ONLY)**

Suction Circuit 1	_____	PSIG	_____	°F
Suction Circuit 2	_____	PSIG	_____	°F
Discharge Circuit 1	_____	PSIG	_____	°F
Discharge Circuit 2	_____	PSIG	_____	°F

THIS PAGE LEFT INTENTIONALLY BLANK

THIS PAGE LEFT INTENTIONALLY BLANK

THIS PAGE LEFT INTENTIONALLY BLANK

**CUSTOMER FEEDBACK**

We are very interested in all product comments.

Please fill out the feedback on one of the following links:

Goodman® Brand Products: (<http://www.goodmanmfg.com/about/contact-us>).

Amana® Brand Products: (<http://www.amana-hac.com/about-us/contact-us>).

You can also scan the QR code on the right for the product brand you purchased to be directed to the feedback page.



GOODMAN® BRAND



AMANA® BRAND

**Product Registration**

Thank you for your recent purchase. Though not required to get the protection of the standard warranty, registering your product is a relatively short process, and entitles you to additional warranty protection, except that failure by California and Quebec residents to register their product does not diminish their warranty rights.

For Product Registration please register by following this link:

Goodman® Brand Products: (<https://www.goodmanmfg.com/product-registration>).

Amana® Brand Products: (<http://www.amana-hac.com/product-registration>).

You can also scan the QR code on the right to be directed to the Product Registration Page.



GOODMAN® BRAND



AMANA® BRAND

Goodman Company, L.P., reserves the right to discontinue, or change at any time, specifications, applications or designs without notice or without incurring obligations.

Goodman Company, L.P.  
5151 San Felipe, Suite 500, Houston, TX 77056  
[www.goodmanmfg.com](http://www.goodmanmfg.com) or [www.amana-hac.com](http://www.amana-hac.com)  
© 2010-2015, 2018 Goodman Company, L.P.