

HTP-A, HTP-B, HTP-C, HTP-D

HIGH TEMPERATURE DRAIN PANS INSTALLATION INSTRUCTIONS

Attention Installing Personnel

As a professional installer you have an obligation to know the product better than the customer. This includes all safety precautions and related items.

Prior to actual installation, thoroughly familiarize yourself with this Instruction Manual. Pay special attention to all safety warnings. Often during installation or repair it is possible to place yourself in a position which is more hazardous than when the unit is in operation.

Remember, it is **your** responsibility to install the product safely and to know it well enough to be able to instruct a customer in its safe use.

Safety is a matter of common sense...a matter of thinking before acting. Most dealers have a list of specific good safety practices...follow them.

The precautions listed in this Installation Manual are intended as supplemental to existing practices. However, if there is a direct conflict between existing practices and the content of this manual, the precautions listed here take precedence.

Inspection

Before installing the HTP-* drain pan, verify that the part number is correct for the unit model.

PARTS LIST			
PARTS	TYPE	PACKING LIST G.M.C. PART NO.	QTY.
DRAIN PAN	HTP-A = 14" coil	BT5076504	1
	HTP-B = 17 1/2" coil	BT5076505	1
	HTP-C = 21" coil	BT5076506	1
	HTP-D = 24 1/2" coil	BT5076507	1
HARDWARE KIT	-	BT1393212	1
INSTRUCTIONS	-	IO-255*	1

NOTE: SPECIFICATIONS AND PERFORMANCE DATA LISTED HEREIN ARE SUBJECT TO CHANGE WITHOUT NOTICE

Quality Makes the Difference!

All of our systems are designed and manufactured with the same high quality standards regardless of size or efficiency. We have designed these units to significantly reduce the most frequent causes of product failure. They are simple to service and forgiving to operate. We use quality materials and components. Finally, every unit is run tested before it leaves the factory. That's why we know. . . **There's No Better Quality.**

Visit our website at www.daikincomfort.com, www.goodmanmfg.com or www.amana-hac.com for information on:

- Products
- Warranties
- Customer Services
- Parts
- Contractor Programs and Training
- Financing Options


© 2004-2006, 2013 Goodman Manufacturing Company, L.P.



INSTALLATION INSTRUCTIONS



WARNING



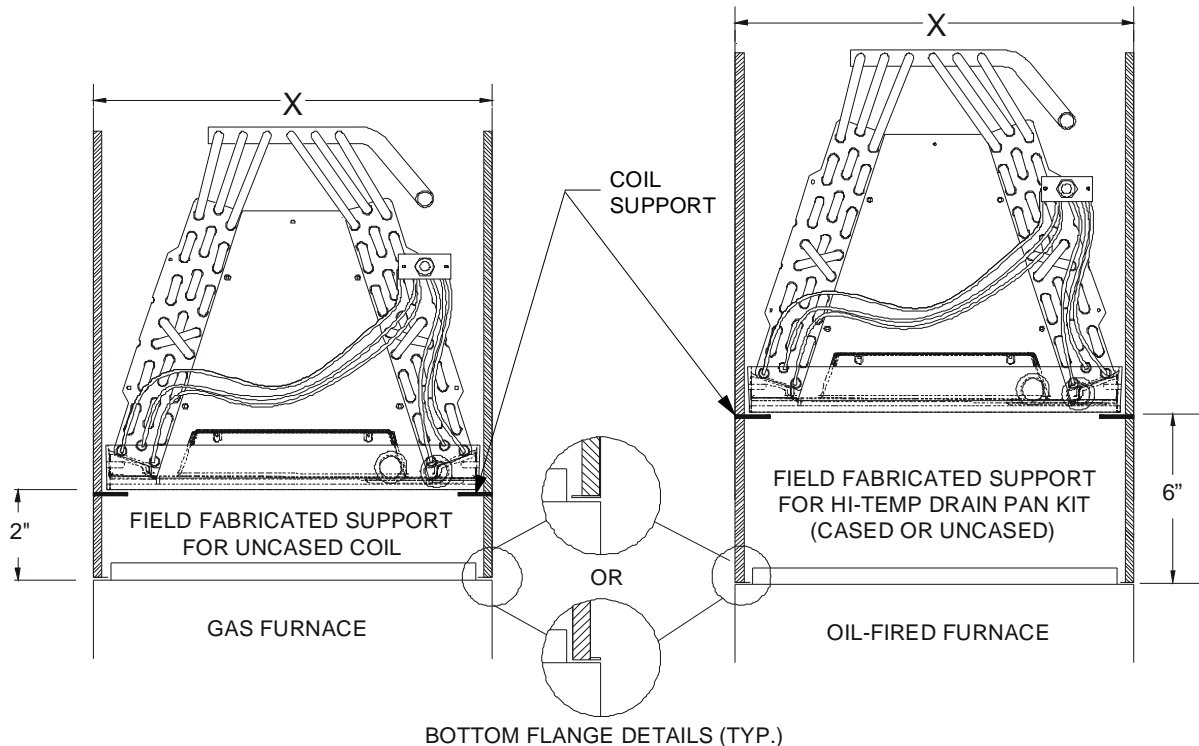
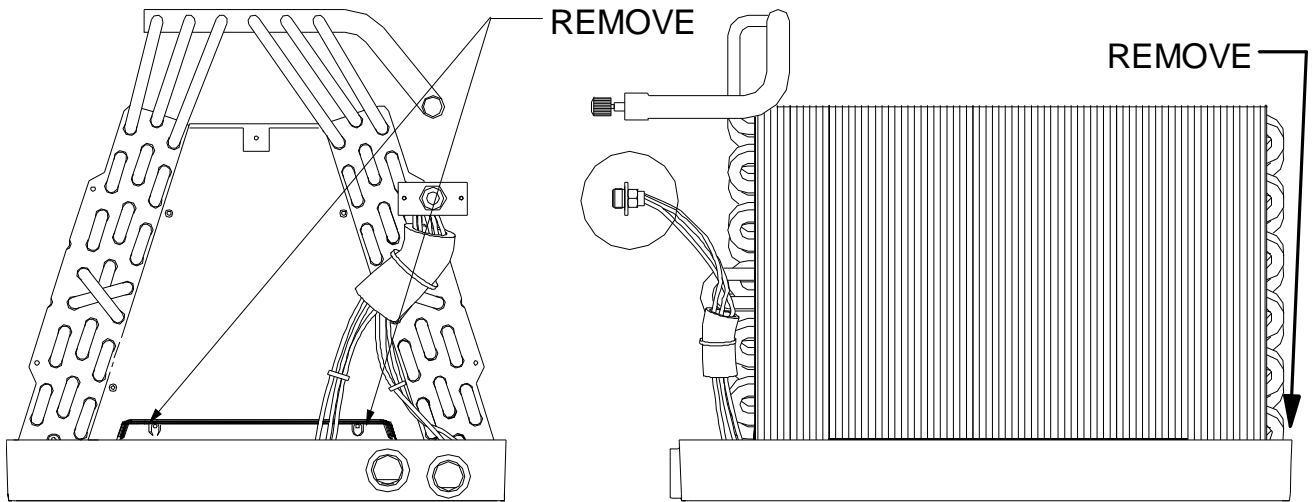
HIGH VOLTAGE
DISCONNECT ALL POWER BEFORE SERVICING OR INSTALLING THIS KIT. MULTIPLE POWER SOURCES MAY BE PRESENT. FAILURE TO DO SO MAY CAUSE PROPERTY DAMAGE, PERSONAL INJURY OR DEATH.

To install the high temperature drain pan:

4. Place the coil assembly on to the new high temperature drain pan.
- NOTE:** When installing a high temperature drain pan kit for oil-fired furnace applications be sure to fabricate a 6 inch spacer as indicated below.
5. Install the 4 screws supplied with the kit (#8 X 3/8).

To remove drain pan from coil pan assembly:

1. Remove 4 screws holding coil assembly to drain pan.
2. Discard the 4 screws.
3. Remove the drain pan.



$X = \text{Coil Pan Width} + \text{Insulation Thickness} \times 2$