

TECHNICAL GUIDE

SEALED COMBUSTION DOWNFLOW OIL-FIRED FURNACES

**MODELS: DFAA SERIES
DFAH SERIES**



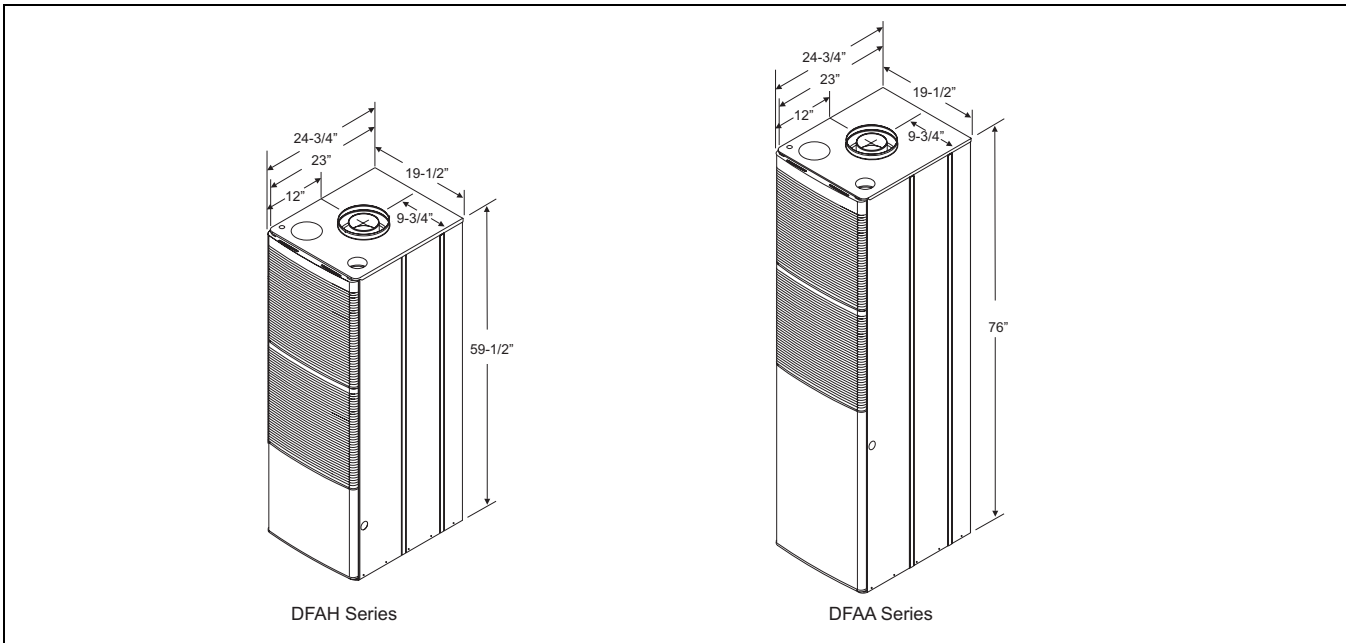
DESCRIPTION

The DF Series oil-fired furnace is actually two systems in one. As a powerful air handler, it can handle up to 3 tons of cooling. As an oil-fired furnace, its range of heating capacities makes it a perfect match for the heating requirements of almost any manufactured home.

FEATURES

- **ZERO CLEARANCE FEATURE** - allows these furnaces to be installed where space is a premium.
- **MOLDED CONTOURED WHITE UPPER PANEL** - provides an attractive modern appearance and offers a scratch-resistant, durable appliance finish.
- **PRE-PAINTED CONTOURED WHITE LOWER PANELS** - provide an attractive scratch-resistant appliance finish.
- **BUILT-IN COIL CABINET** - is design-matched to work in conjunction with Coleman heat pumps and air conditioners, providing ease of installation and highly efficient operating performance. (DFAA models.)
- **AIR CONDITIONER READY DFAA** - models have blowers capable of handling up to 3 tons of air conditioning.
- **ALUMINIZED STEEL HEAT EXCHANGER** - provides efficient operation and unmatched corrosion resistance.
- **UNIVERSAL DISPOSAL FILTERS** - clean the air and are easy to replace.
- **SEALED COMBUSTION** - design draws in combustion air directly from outside, providing quiet operation while increasing operating efficiency and reducing cold drafts.





TECHNICAL SPECIFICATIONS

MODEL NUMBER	DFAH066BBSA	DFAH084BBSA	DFAA066BBTA	DFAA084BBTA
Factory Equipped Fuel	No. 2 Fuel Oil			
A/C Controls	Heating Only		A/C Ready	
Input Rate, GPH	0.50	0.65	0.50	0.65
Input Rate, BTUH	66,000	84,000	66,000	84,000
High Capacity (Output), BTUH	54,000	69,000	54,000	69,000
AFUE, %	80.0	80.0	80.0	80.0
Air Temperature Rise Range	45-75 °F			
Designed Maximum Outlet Air Temperature	165 °F			
Maximum External Static Pressure	0.3 Inches W.C.			
Venting	Must use 4000 Series Roof Jacks			
Combustion Air Inlet	2" PVC Pipe			
Oil Connection	1/2" NFPT			
Electric Service	115 VAC, 60 Hz, 1 Phase			
Fuse or Circuit Breaker	15 Amp Maximum			
Thermostat Circuit	24 VAC 60 Hz			
Filters	Two 16" x 20" x 1"			

MINIMUM DISTANCE TO COMBUSTIBLE MATERIALS						
	BACK	SIDES	FRONT	TOP	ROOF JACK	DUCT
Closet	0"	0"	* 6"	2"	0"	0"
Alcove	0"	0"	24"	2"	0"	0"

* - Special 0" clearance is allowed. See Installation Manual.

BLOWER PERFORMANCE

FACTORY EQUIPPED WITH STANDARD BLOWERS AND FILTERS					
CFM at External Static Pressure, In, W.C.					
Models DFAA066					
BLOWER SPEED	0.1	0.2	0.3	0.4	.5
Single Speed - No Coil	1175	1110	1050	1000	950
Single Speed - With Dry Coil	1125	1070	1020	960	910
Models DFAA084					
BLOWER SPEED	0.1	0.2	0.3	0.4	.5
Single Speed - No Coil	1370	1305	1245	1175	1100
Single Speed - With Dry Coil	1265	1195	1120	1045	1015
Models DFAH066					
BLOWER SPEED	0.1	0.2	0.3	0.4	.5
Single Speed - No Coil	1155	1111	1055	995	920
Models DFAH084					
BLOWER SPEED	0.1	0.2	0.3	0.4	.5
Single Speed - No Coil	1127	1062	1005	952	887

NOTES

Subject to change without notice. Printed in U.S.A.
Copyright © by York International Corporation 2005. All rights reserved.

036-22093-001 Rev. B (1105)
Supersedes: 036-22093-001 Rev. A (0902)

**Unitary
Products
Group**

**P.O.
Box
19014**

**Wichita
KS
67204-9014**