

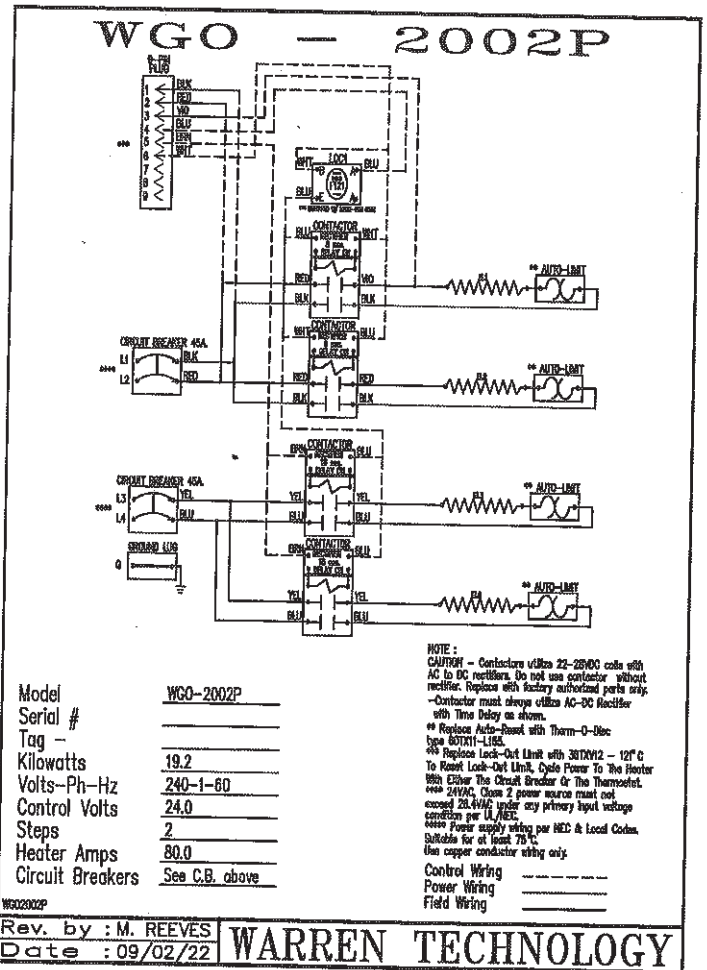
INSTALLER CHECK APPROPRIATE BOX AND PLACE LABEL ON OUTSIDE ACCESS PANEL

MODEL NO: WGO2002P(X)		VOLTS:		208 1P	240 1P	
TAG: HKP - 20C		HTR WATTS:		14250	19000	
PAGE 1 OF 2		HTR AMPS:		34.3 - 34.3	39.6 - 39.6	
EQUIPMENT MODEL NO:			MCA	MOCP	MCA	MOCP
DUAL CIRCUIT						
GPC15M 48			43-43	45-45	49-49	50-50
GPC13M 48,60			43-43	45-45	49-49	50-50
GPC(14)H 42,48,60			43-43	45-45	49-49	50-50
GPH15M 49, 60			43-43	45-45	49-49	50-50
GPH13M 48, 60			43-43	45-45	49-49	50-50
GPH13H 42,48, 60			43-43	45-45	49-49	50-50
SINGLE CIRCUIT						
GPC13M 48			92	100	105	110
GPC13M 60			93	100	107	110
GPC13(14H) 42,48			90	90	103	110
GPC13(14H) 60			92	100	105	110
GPC15M 49					132	150
GPC15M 60					144	150

USER CAUTION!!!

The use of improperly selected air filter and/or operation with dirty filters may result in insufficient airflow which may result in abnormal operation of electric heater and tripping of temperature safety limits. Also, insufficient airflow will degrade the efficiency of the system (SEER rating) and excessive wear and premature failure of the system compressor may result. Other conditions, such as undersize or obstructed ductwork, may also cause insufficient airflow. It is recommended that a qualified technician be consulted to ensure proper airflow and air filtration selection and application.

See www.lowairflow.com for more information.



WGO Repair Parts List

"WGO" Models

Warren Models	0302	0302B	0502	0502B	0504	0602	0802	0802B	0804	1002	1002B	1004	1502B	1504	2002B	2004
Goodman Ref.	HKR03	HKR03C	HKR05	HKR05C	N/A	HKR06	HKR08	HKR08C	N/A	HKR10	HKR10C	N/A	HKR15C	N/A	HKR20C	N/A
Parts	208-240/1ph	208-240/1ph	208-240/1ph	208-240/1ph	208-240/3ph	208-240/1ph	208-240/1ph	208-240/1ph	208-240/3ph	208-240/1ph	208-240/1ph	208-240/3ph	208-240/1ph	208-240/3ph	208-240/1ph	208-240/3ph
1	1	1	1	1	2	1	1	1	2	1	1	2	2	2	2	2
2	1	1	1	1	1	2	2	2	2	2	2	2	3	2	4	3
3					1				1			1				1
4					1				1			1	1	1	1	1
5	1		1		1	1	1		1	1		1				1
6					1				1			1				1
7	1	1				2						3				
8							2	2								
9			1	1	3					2	2		3	3	4	4
9					1				1			1				1
10	1	1	1	1			1	1		1	1		1		1	1
11					1	1	1	1	2	1	1	1	1	1	1	2
12												1	1	1	2	
13		1														
13								1								
14															1	
15											1					2

*All parts orders for breakers will include a mounting bracket and a filler plate

REVISION 10/05/2007