

B92R1E

PRODUCT SPECIFICATIONS

SINGLE STAGE HIGH EFFICIENCY CONSTANT TORQUE GAS FURNACE

FORM NO. B92R1E-100 (06/2025)



CONFIGURATIONS

- Upflow/Horizontal
- Downflow

HEAT EXCHANGER DESIGN

- Aluminized steel design primary heat exchanger with crimped no weld clamshell design
- AL 29-4C Stainless steel secondary heat exchanger

BURNER

- 11k BTUH burners and sealed burner box provide soft ignition and quiet operation

CABINET DESIGN

- Compact 33" height
- Standardized widths for easy coil fit

AIR DELIVERY SYSTEM

- Multi-speed high efficiency (constant torque) blower motor
- Easily removable slide-out blower design

CONTROLS

- Single Stage Gas Valve
- Self diagnostics save last 10 fault codes regardless of power interruption
- Durable silicon nitride igniter
- Electronic air cleaner and humidifier terminals

VENTING

- Certified for direct vent and indirect vent (1 and 2 pipe applications)

INSTALLATION FEATURES

- Left or right utility connection
- Removable floor base (upflow / horizontal units) for bottom return air
- Zero step horizontal conversion

WARRANTY

10 year limited parts warranty / lifetime heat exchanger warranty available. See limited warranty document for details.

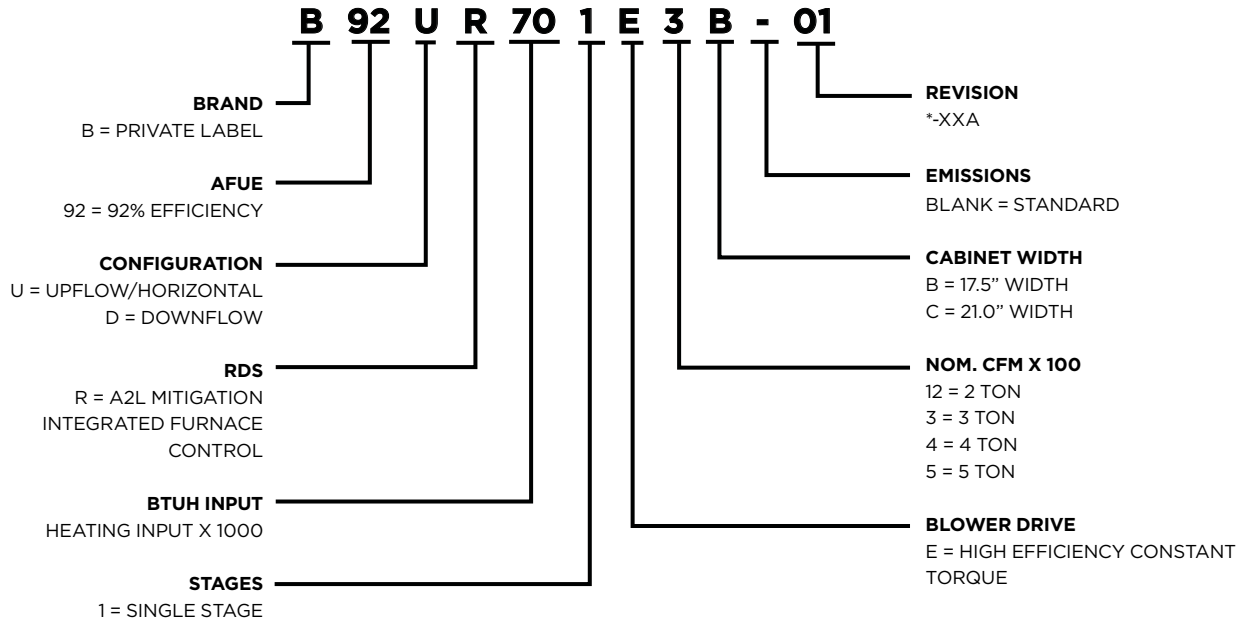
California Only

This product is not certified to be sold or installed in the South Coast Air Quality Management District (SCAQMD). It does not meet the SCAQMD Rule 1111 NOx emission limit of 14 Ng/J.

This product is not certified to be sold or installed in the San Joaquin Valley Air Pollution Control District (SJVAPCD). It does not meet the SJVAPCD Rule 4905 NOx emission limit of 14 Ng/J.



MODEL NUMBER GUIDE



PHYSICAL AND ELECTRICAL DATA

	Model	Input (Btuh)	Output (Btuh)	AFUE (ICS)	Nom. Cooling Capacity	Gas Inlet (in.)	Volts/ Hz/ Phase	Max. Time Delay Breaker or Fuse	Nominal F.L.A.	Trans. (V.A.)	Approx. Shipping Weight (lbs.)
UPFLOW / HORIZONTAL	B92UR451E3B	44,000	42,000	92.1%	1.5 - 3	1/2	120 - 60 - 1	15	6.8	40	121.5
	B92UR701E3B	66,000	63,000	92.1%	1.5 - 3	1/2	120 - 60 - 1	15	6.8	40	128.5
	B92UR901E3C	88,000	84,000	92.1%	1.5 - 3	1/2	120 - 60 - 1	15	6.8	40	145.0
	B92UR901E4C	88,000	84,000	92.1%	2.5 - 4	1/2	120 - 60 - 1	15	8.4	40	145.0
	B92UR1101E4C	110,000	104,000	92.1%	2.5 - 4	1/2	120 - 60 - 1	15	8.4	40	157.0
	B92UR1101E5C	110,000	105,000	92.1%	3 - 5	1/2	120 - 60 - 1	15	10.9	40	159.0
DOWNFLOW	B92DR451E3B	44,000	43,000	92.1%	1.5 - 3	1/2	120 - 60 - 1	15	6.8	40	123.5
	B92DR701E3B	66,000	63,000	92.1%	1.5 - 3	1/2	120 - 60 - 1	15	6.8	40	129.5
	B92DR901E4C	88,000	84,000	92.1%	2.5 - 4	1/2	120 - 60 - 1	15	8.4	40	152.0

Note: For vent length and clearances to combustibles, please reference installation instructions.

BLOWER PERFORMANCE DATA

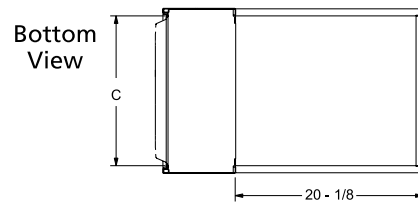
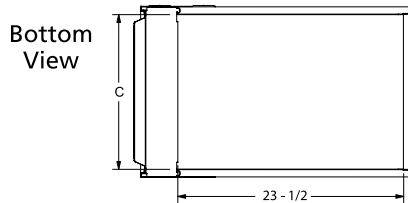
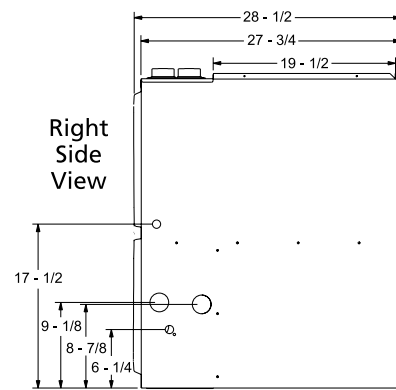
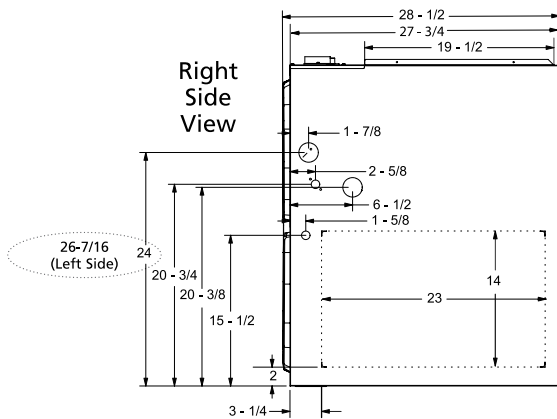
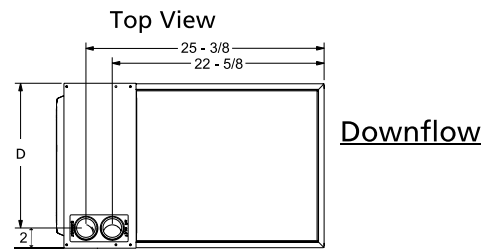
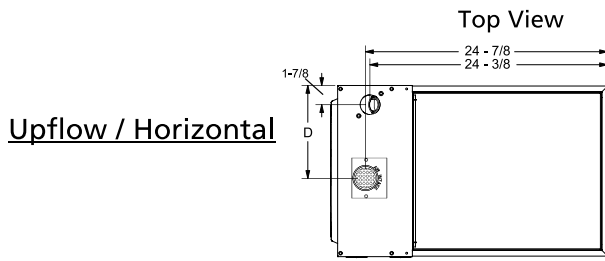
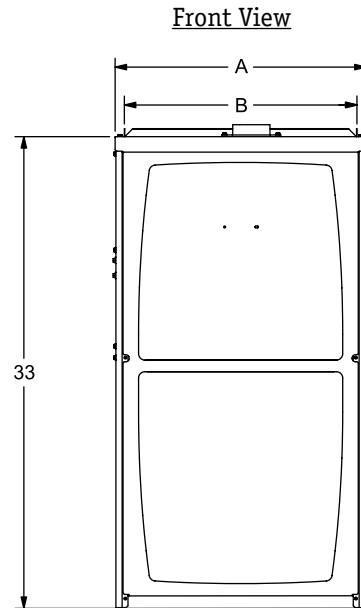
	Model	Motor Size (hp)	Blower Size	Temp Rise (°F)	Blower Speed	Heating cfm @ .10" - .80" w.c.									
						0.10	0.20	0.30	0.40	0.50	0.60	0.70	0.80	0.90	1.00
UPFLOW / HORIZONTAL	B92UR451E3B	1/2	10 x 8	25 - 55	High	1375	1347	1321	1294	1267	1241	1212	1185	1159	1132
					Med/High	1259	1227	1199	1171	1143	1114	1085	1056	1027	996
					Med	1115	1082	1048	1017	984	952	918	886	852	814
					Med/Low	889	850	811	773	731	689	646	604	562	520
					Low	732	689	641	592	544	496	445	386	345	309
	B92UR701E3B	1/2	10 x 8	40 - 70	High	1392	1367	1340	1313	1286	1259	1231	1202	1175	1147
					Med/High	1273	1245	1216	1188	1159	1129	1102	1073	1043	1012
					Med	1131	1101	1068	1035	1001	970	936	902	866	831
					Med/Low	905	867	828	788	747	705	665	626	588	549
	B92UR901E3C	1/2	10 x 8	50 - 80	High	1442	1413	1382	1356	1327	1301	1273	1240	1213	1184
					Med/High	1320	1289	1259	1231	1200	1170	1139	1108	1076	1044
					Med	1172	1138	1105	1072	1037	1002	967	931	891	851
					Med/Low	939	898	859	817	774	729	682	638	596	556
	B92UR901E4C	3/4	10 x 10	45 - 75	High	1686	1651	1615	1583	1550	1515	1479	1446	1407	1368
					Med/High	1477	1438	1399	1362	1324	1283	1240	1195	1150	1111
					Med	1356	1315	1273	1236	1194	1151	1103	1057	1012	977
					Med/Low	1275	1233	1189	1147	1101	1049	1000	957	916	881
	B92UR101E4C	3/4	10 x 10	50 - 80	High	1726	1696	1666	1634	1607	1569	1539	1507	1484	1445
					Med/High	1510	1476	1450	1375	1369	1336	1301	1262	1225	1190
					Med	1387	1356	1319	1282	1238	1202	1158	1112	1081	1031
Med/Low					1303	1268	1231	1191	1154	1101	1066	1014	968	936	
B92UR101E5C	1	11-1/2 X 10	45 - 75	High	2082	2051	2018	1987	1953	1920	1887	1855	1824	1792	
				Med/High	1854	1818	1778	1742	1707	1671	1639	1606	1575	1541	
				Med	1679	1640	1602	1570	1532	1498	1463	1427	1390	1351	
				Med/Low	1577	1537	1498	1458	1419	1380	1342	1305	1265	1224	
					Low	1400	1356	1316	1273	1228	1185	1142	1095	1040	989

BLOWER PERFORMANCE DATA

	Model	Motor Size (hp)	Blower Size	Temp Rise (°F)	Blower Speed	Heating cfm @ .10" - .80" w.c.									
						0.10	0.20	0.30	0.40	0.50	0.60	0.70	0.80	0.90	1.00
DOWNFLOW	B92DR45IE3B	1/2	10 x 8	25 - 55	High	1376	1349	1324	1295	1272	1253	1226	1202	1177	1146
					Med/High	1247	1223	1199	1172	1143	1121	1096	1074	1041	1014
					Med	1101	1074	1048	1018	992	961	932	898	876	833
					Med/Low	918	890	854	824	786	764	704	688	659	634
					Low	744	712	672	631	596	528	517	466	436	392
	B92DR70IE3B	1/2	10 x 8	40 - 70	High	1413	1384	1365	1340	1318	1291	1274	1243	1226	1199
					Med/High	1283	1264	1241	1212	1185	1166	1143	1099	1077	1056
					Med	1132	1109	1078	1051	1024	995	963	925	909	874
					Med/Low	908	882	852	802	771	732	716	650	635	578
					Low	756	708	676	648	574	524	479	452	407	299
	B92DR90IE4C	3/4	10 x 10	45 - 75	High	1701	1673	1640	1611	1586	1542	1519	1485	1468	1417
					Med/High	1477	1444	1430	1370	1351	1313	1289	1255	1225	1184
					Med	1364	1335	1299	1266	1230	1185	1156	1122	1071	1075
					Med/Low	1289	1255	1215	1178	1147	1088	1057	1007	964	924
					Low	1158	1123	1085	1035	1003	957	908	878	788	784

DIMENSIONS (IN.)

	Model	A	B	C	D
UPFLOW / HORIZONTAL	B92UR451E3B	17-1/2	16-3/8	16	9-5/16
	B92UR701E3B	17-1/2	16-3/8	16	9-5/16
	B92UR901E3C	21	19-7/8	19-1/2	11-5/16
	B92UR901E4C	21	19-7/8	19-1/2	11-5/16
	B92UR1101E4C	21	19-7/8	19-1/2	11-5/16
	B92UR1101E5C	21	19-7/8	19-1/2	11-5/16
DOWNFLOW	B92DR451E3B	17-1/2	16-3/8	16	15-1/2
	B92DR701E3B	17-1/2	16-3/8	16	15-1/2
	B92DR901E4C	21	19-7/8	19-1/2	19



ACCESSORY LIST

CATALOG NUMBER	DESCRIPTION
External Filter Rack kits	
1.841018	1 pack (16 x 25)
1.841039	10 pack (16 x 25)
Natural to LP kits	
11K50	1-Stage - 90
11K45	High Altitude > 7500 ft
17H62	1-Stage - 90% - For 030 Capacity Only
17H90	High Altitude > 7500 ft - For 030 Capacity Only
Return Air Base	
68W62	17.5" B Width
68W63	21.0" C Width
Downflow Combustible Flooring Base	
11M60	17.5" B Width
11M61	21.0" C Width
Horizontal Suspension Kit	
51W10	80% & 90% Kit
Flush Mount Termination (90% Furnaces only) US Only	
51W11	2" & 3" Vent Version
Concentric Vent Kit (90% Furnaces only) US Only	
71M80	1-1/2" Vent Version
69M29	2" Vent Version
60L46	3" Vent Version
2-Stage Compressor Kit	
85W66	Blower Relay Kit
Transformer (75VA)	
27J32	Recommended when furnace is used with zoning or defrost thermostats and other 24V accessories requiring a higher VA rating
	Circuit breaker (furnished) is wired in series
	Replaces the standard 40VA transformer

For vent length and clearances to combustibles, please reference installation instructions.