

# BA17L

## PRODUCT SPECIFICATIONS

SPLIT SYSTEM AIR CONDITIONER  
UP TO 17 SEER

FORM NO. BA17L-100 (05/2022)



### COMPRESSOR

- High-efficiency scroll compressor
- R410A refrigerant
- Internally protected against high temperature motor overload conditions

### CABINET

- Full metal louvered construction to protect the coil/hail protection
- Individual louver panels; 4 screws to remove for ease of coil cleaning and service
- Corner-mounted controls for easy service
- Baked polyester paint finished over galvanized steel for maximum durability
- 45-degree offset valves for easy service

### COILS

- Omniguard™ total corrosion protection technology designed coil
- Enhanced tube-and-fin coil design featuring MHT™ Technology
- Lanced fins for maximum heat transfer
- Every coil factory tested for leakproof construction
- Raised coil prevents debris from impeding airflow

### COMPONENTS

- Factory installed high and low pressure switches
- Thread-on pressure switches with Schrader core for simple, quick replacement
- Filter drier shipped loose for installation flexibility
- Fan orifice for smoother airflow and sound level reduction
- Charged for 15 feet of line set

### WARRANTY

10 year limited warranty on compressor  
10 year limited warranty on all parts, extended warranty available\*

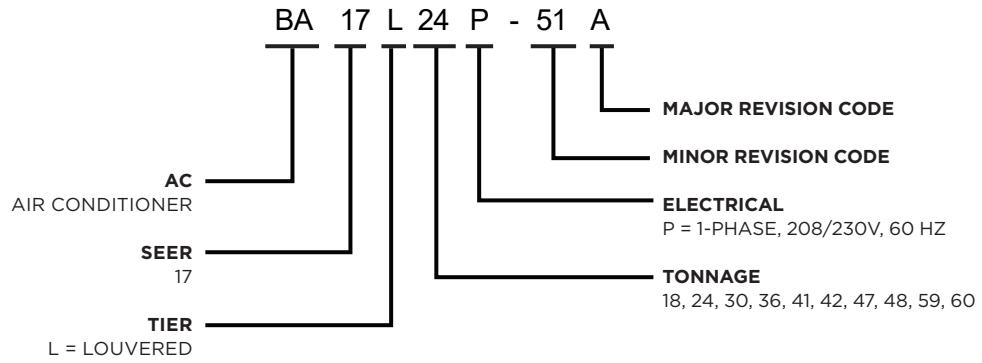
*\*Warranty provides for a total of 10 years of limited warranty coverage (Standard 5-year limited parts warranty plus an additional 5-year limited extended parts warranty). Warranty must be registered online within 60 days of installation to qualify for 10-year coverage. Unregistered equipment defaults to 5-year coverage.*

### **NOTE:**

For the latest ratings, please see  
or [www.AHRIdirectory.org](http://www.AHRIdirectory.org)



**MODEL NUMBER GUIDE**

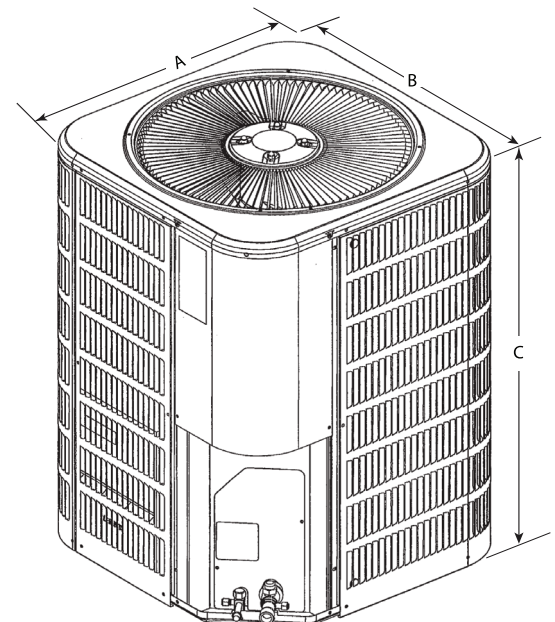


**PHYSICAL AND ELECTRICAL DATA**

Model	Voltage/Hz/Phase	Voltage Range	Min. Circuit Amp.	Max. Over Current Device (amps)	Compressor		Outdoor Fan Motor		
					Rated Load (amps)	Locked Rotor (amps)	Rated Load (amps)	Rated HP	Nom. RPM
BA17L18P	208-230/60/1	197-253	12.0	15	8.8	42.6	1.0	1/6	825
BA17L24P	208-230/60/1	197-253	15.4	20	11.7	59.5	0.7	1/8	1075
BA17L30P	208-230/60/1	197-253	18.4	25	14.1	71.3	0.7	1/8	1075
BA17L36P	208-230/60/1	197-253	17.4	30	13.1	83.1	1.0	1/6	825
BA17L42P	208-230/60/1	197-253	24.6	35	18.6	110.0	1.4	1/4	825
BA17L48P	208-230/60/1	197-253	33.0	50	25.0	120.0	1.7	1/4	825
BA17L60P	208-230/60/1	197-253	31.3	50	23.9	124.5	1.4	1/4	825

**UNIT DIMENSIONS (IN.)**

Model	Dimensions (inch)			Shipping Weight (Lbs.)
	A - Width	B - Depth	C - Height	
BA17L18P	28.25	28.25	29.25	155
BA17L24P	28.25	28.25	37.25	170
BA17L30P	28.25	28.25	29.25	180
BA17L36P	28.25	28.25	37.25	200
BA17L42P	32.25	32.25	33.25	225
BA17L48P	28.25	28.25	43.25	230
BA17L60P	32.25	32.25	43.25	260



## SOUND RATINGS

Model	Sound Power <sup>1</sup>	Estimated Sound Pressure (dBA) <sup>2</sup>		
		Approximate Distance <sup>3</sup>		
		3.3 Feet (1 Meter)	6.6 Feet (2 Meters)	9.8 Feet (3 Meters)
BA17L18P	73	65	59	55
BA17L24P	75	67	61	57
BA17L30P	76	68	62	58
BA17L36P	76	68	62	58
BA17L42P	76	68	62	58
BA17L48P	78	70	64	60
BA17L60P	80	72	66	62

<sup>1</sup> Rated in accordance with AHRI standard 270 (2015). AHRI Standard 270 establishes a method of rating outdoor unitary equipment in terms of Sound Power.

<sup>2</sup> Rated in accordance with AHRI standard 275 (2018). AHRI Standard 275 provides the calculations for estimating the A-Weighted Sound Pressure at a given distance from the equipment. That is a more useful number because that is what humans will hear.

<sup>3</sup> Based only on distance factor; other factors may change this value such as:

- Unit location (reflective surfaces adjacent to the unit)
- Barrier shielding sources
- Sound path/elevation
- Outside noise sources

## ACCESSORIES

System Accessory	Where Used	Kit Number	Purpose
Liquid Line Solenoid	All models	60M52	Prevents liquid migration to the compressor especially for high liquid riser applications
Low Ambient (cooling operation)	All models	34M72	Enables cooling demand down to 30 °F. Will require freeze stat, CC heater and TXV
Compressor Short Cycle Protector	All models	47J27	Delays compressor start 5-7 minutes to prevent short cycling
Hard Start	Copeland	10J42	Scroll compressors usually do not require hard start; maybe needed for utility brown-out or low voltage areas
	LG	88M91	
Crankcase Heater	18, 24, 30, 36, 42	93M04	Prevents liquid migration to compressor in cold weather
	41, 47, 48, 59, 60	Factory Installed	
Sound Cover	18, 24, 30, 36, 41	14W00	Lowers compressor sound level
	42, 47, 48, 59, 60	14W01	
Additional System Accessories (indoor section)			
TXV Kit	18, 24, 30	BGH4TXV01	TXVs provide superior refrigerant flow control, comfort and efficiency compared to pistons
	36, 41, 42, 47, 48	BGH4TXV02	
	59, 60	BGH4TXV03	
Outdoor Thermostat - Electric Heat	All models	10Z23	Prevents electric heat operation above specific ambient conditions
Outdoor Thermostat - Mounting Box	All models	31461	Mounting box for outdoor thermostat
Freezestat	All models	93G35	Protects the compressor at low suction pressure conditions
Overflow Switch	All models	11U75	Turn the system off, if condensate water overflows due to clogged drain pipes
Blower Time Delay	All models	58M81	Improves system efficiency and comfort
Single Point Power Supply	All models	21H39	Provide single power source in one junction box
Auxiliary Blower Relay	All models	85W66	Maybe required to select multiple indoor blower speeds

**REFRIGERATION DATA**

Model	Refrig. Charge (oz.) *	Piston Size	TXV	Refrigerant Line Size		Outdoor Unit Connection		Indoor Unit Connection	
				Suction	Liquid	Suction	Liquid	Suction	Liquid
BA17L18P	72	0.051	BGH4TXV01	3/4	3/8	3/4	3/8	3/4	3/8
BA17L24P	82	0.059	BGH4TXV01	3/4	3/8	3/4	3/8	3/4	3/8
BA17L30P	104	0.067	BGH4TXV01	3/4	3/8	3/4	3/8	3/4	3/8
BA17L36P	136	0.072	BGH4TXV02	7/8	3/8	7/8	3/8	7/8	3/8
BA17L42P	146	0.081	BGH4TXV02	7/8	3/8	7/8	3/8	7/8	3/8
BA17L48P	152	0.084	BGH4TXV02	7/8	3/8	7/8	3/8	7/8	3/8
BA17L60P	200	0.092	BGH4TXV03	1-1/8	3/8	1-1/8	3/8	7/8	3/8

\*Factory charged for 15 feet of line set

\*\* Adapter shipped with unit

† TXV only

**COOLING PERFORMANCE WITH DTC<sup>1</sup>**

Outdoor Model	Indoor Model	Capacity (BTUH)	EER2	SEER2
BA17L18P	BC4X24B	17600	11.7	14.3
BA17L24P	BC4X30B	23200	11.7	14.3
BA17L30P	BC4X30B	28600	11.7	14.3
BA17L36P	BC4X36B	34200	11.7	14.3
BA17L42P	BC4X49C	41500	11.7	14.3
BA17L48P	BC4X60C	47000	11.2	13.8
BA17L60P	BC4X60C	57000	11.2	13.8

<sup>1</sup> DTC = Designated Tested Combination

**NOTE:**

For the latest AHRI system matches please visit  
[www.AHRIdirectory.org](http://www.AHRIdirectory.org)

All specifications and illustrations subject to change without notice and without incurring obligations.