

SUBMITTAL DATA SHEET

High Wall Heat Pump System

Location:	Approval:
Engineer:	Date:
Submitted to:	Construction:
Submitted by:	Unit #:
Reference:	Drawing #:



INDOOR SPECIFICATION

Indoor Air Flow (Turbo/H/M/L/Si) (CFM)	312.0 / 235.4 / 170.7 / 135.4 / /	
Indoor Noise Level (Turbo/H/M/L/Si) (dBA)	43.0/35.0/31.0/22.0/18.0	
Dimension (W×D×H)	inch	28.70 x 7.87 x 11.50
	mm	729×200×292
Package (W×D×H)	inch	32.68 x 16.14 x 13.58
	mm	830×410×345
Net/Gross Weight	lbs	23.81/33.95
	kg	10.8/15.4

OUTDOOR SPECIFICATION

Compressor Type	ROTARY	
Compressor Model	KSK103D33UEZ3	
Refrigerant	R454B	
Refrigerant Oil Charge(mL)	310	
Refrigerant Oil	5.65	
Outdoor Air Flow (Max) (CFM)	1059.5	
Outdoor Noise Level (dBA)	54.0	
Dimension (W×D×H)	inch	28.35 x 10.63 x 19.49
	mm	720×270×495
Package (W×D×H)	inch	32.87 x 10.63 x 21.26
	mm	835×270×540
Net/Gross Weight	lbs	54.67/66.58
	kg	24.8/30.2

EFFICIENCY

Cooling		Heating	
SEER2	20.2	HSPF2-4	9.2
EER2	11.3	COP	3.1

PERFORMANCE of Cooling

Cooling (Btu/hr)	
Rated Capacity	9000
Min/Max Capacity	4500~11200
Moisture Removal(L/h)	1.06
Standard Operating Range(℉/℃)	-13~75(-25~50)
Conditions:	Indoor: 80℉ DB/67℉ WB Outdoor: 95℉ DB/75℉ WB

PERFORMANCE of Heating

Heating (Btu/hr)	
1. @ 47℉ Rated	10000
1. @ 47℉ Min/Max Capacity	4000~10600
2. @ 17℉ Rated	7000
3. @ 5℉ Rated: Capacity / COP	6200/2.07
3. @ 5℉ Max: Capacity	6000
Standard Operating Range(℉/℃)	-13~122(-25~24)
1. Conditions:	Indoor: 70℉ DB/60℉ WB Outdoor: 47℉ DB/43℉ WB
2. Conditions:	Indoor: 70℉ DB/60℉ WB Outdoor: 17℉ DB/15℉ WB
3. Conditions:	Indoor: 70℉ DB/60℉ WB Outdoor: 5℉ DB/5℉ WB

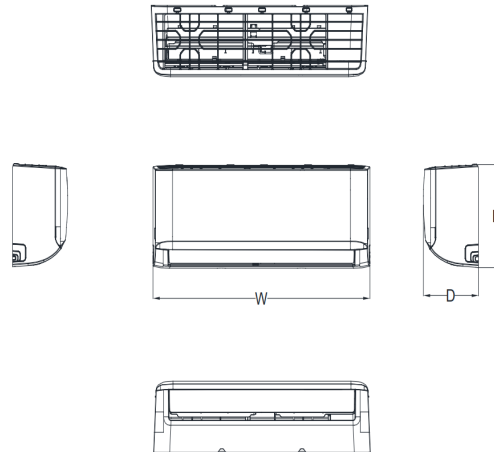
ELECTRICAL

Power Supply	115V,60Hz,1Ph	
System MCA	17	
Connection Wiring	14#x4	
System MOCP	20	
Compressor RLA	11.4	
Outdoor Fan Motor RLA	0.5	
Outdoor Fan Motor W	34	
Indoor Fan Motor RLA	0.5	
Indoor Fan Motor W	20	
System Power Input @ Cooling (W)	796(400 ~ 1090)	
System Power Input @ Heating (W)	945(225 ~ 1010)	
MCA: Min. circuit amps (A)	MOCP: Max. over current protection (A)	
RLA: Rated load amps (A)	W: Fan motor rated output (W)	

PIPING

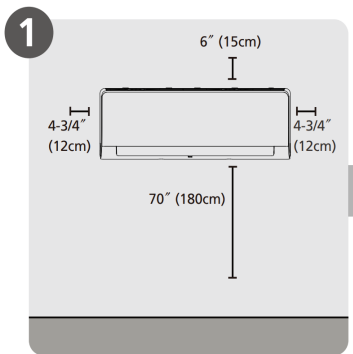
Throttle type(Indoor)	N/A
Throttle type(Outdoor)	(Capillary)
Liquid Size	6.35mm(1/4in)
Gas Size	9.52mm(3/8in)
Max. Piping Length(ft/m)	82(25)
Max. Height Difference(ft/m)	49.20(15)
Max. Pre-charged Length(ft/m)	24.6(7.5)
Refrigerant Pre-charged Amount(oz/g)	17.28(0.49)
Additional Charge of Refrigerant((oz/ft)/(g/m))	0.16(15)
Connection Method	Flared

Indoor Unit Dimension

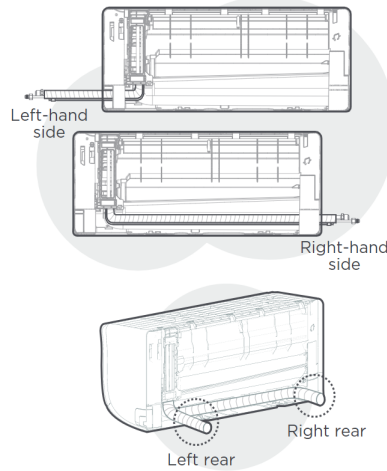


Capacity	Body Code	W(inch/mm)	D(mm/inch)	H(mm/inch)
6K~9K	A	28-3/4in /729mm	7-7/8in /200mm	11-1/2in /292mm
9K~12K	B	31-5/8in /802mm	7-7/8in /200mm	11-5/8in /295mm
18K	C	38-1/4in /971mm	9in/228mm	12-5/8in /321mm
18K~24K	D	42-5/8in /1082mm	9-1/4in/234mm	13-1/4in /337mm
30K~36K	F	49-5/8in /1259mm	11-1/8in/283mm	14-1/4in /362mm

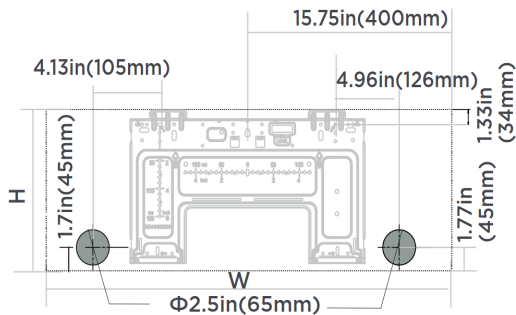
Installation Instruction



Select Installation Location



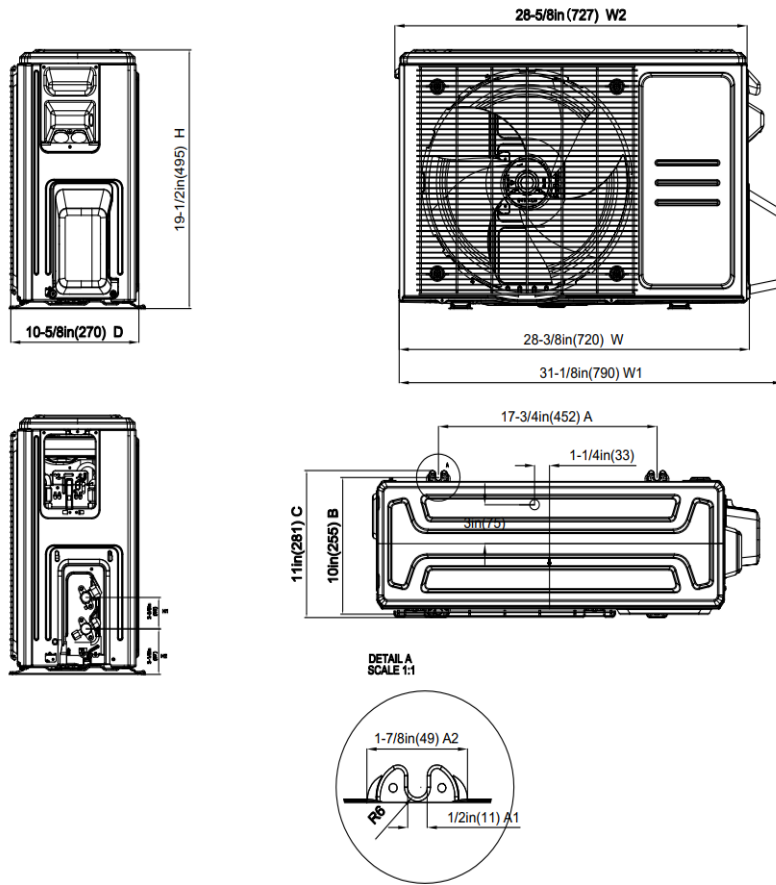
NOTE:
Based on the position of the wall hole relative to the mounting plate, choose the side from which the piping will exit the unit. You have four options for the exit direction of the piping.



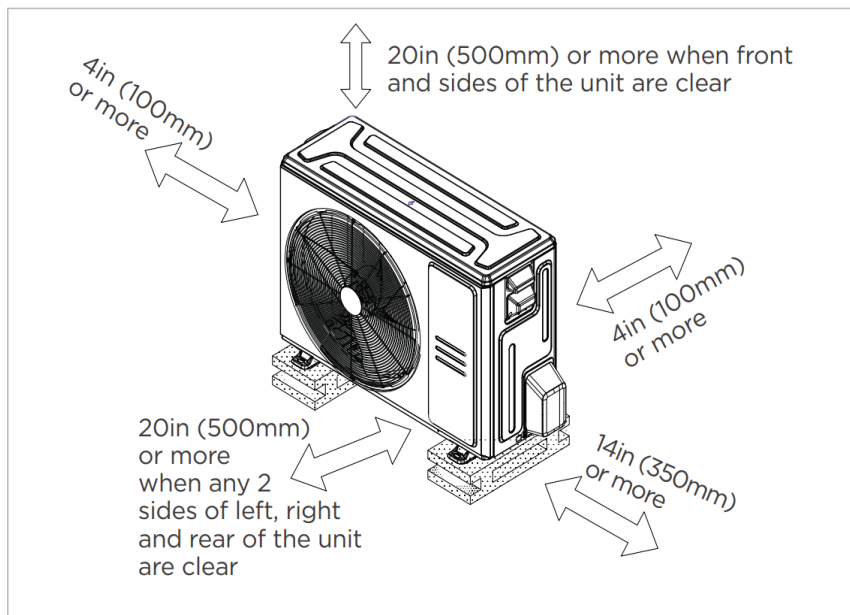
Indoor unit dimensions(WxH):
28.7in(729mm)x11.5in(293mm)

NOTE:
When the gas side connective pipe is Φ (5/8in)16mm or more, the wall hole should be (3-1/2in)90mm.

Outdoor Unit Dimension



Installation Instruction



Meets all spatial requirements shown in Installation Clearance Requirements above.

FEATURES

- Indoor unit TU1 copper coil
- Humidity control
- 1~100% fan speed setting
- WiFi capability: through WiFi dongle or wired controller with built-in WiFi
- OTA(by using WiFi dongle)
- Multiple control options available:
 - Two way communication wired controller:120N(X6)
 - Two way communication wired controller with built-in WiFi:120N(X6W)
 - Infrared wired controller: 120L
 - Wireless remote controller
 - Third-Party 24V Thermostat*

*24V interface is required.