

# SUBMITTAL DATA SHEET

## High Wall Heat Pump System BDS1A18SC0-BDS1A18WM0

Location:	Approval:
Engineer:	Date:
Submitted to:	Construction:
Submitted by:	Unit #:
Reference:	Drawing #:



### INDOOR SPECIFICATION

Indoor Air Flow (Turbo/H/M/L/Si) (CFM)	470.9 / 400.2 / 329.6 / 270.8 / /	
Indoor Noise Level (Turbo/H/M/L/Si) (dBA)	46.5/43.0/36.5/30.0/18.5	
Dimension (W×D×H)	inch	38.23 x 8.98 x 12.64
	mm	971.0×228.0×321.0
Package (W×D×H)	inch	41.14 x 12.01 x 15.94
	mm	1045×305×405
Net/Gross Weight	lbs	30.64/44.97
	kg	13.9/20.4

### OUTDOOR SPECIFICATION

Compressor Type	ROTARY	
Compressor Model	KSN140D21UFZ	
Refrigerant	R454B	
Refrigerant Oil Charge(mL)	440	
Refrigerant Oil	7.5	
Outdoor Air Flow (Max) (CFM)	1236.1	
Outdoor Noise Level (dBA)	55.0	
Dimension (W×D×H)	inch	30.12 x 11.93 x 21.85
	mm	765.0×303.0×555.0
Package (W×D×H)	inch	34.92 x 13.27 x 24.02
	mm	887×337×610
Net/Gross Weight	lbs	62.61/82.23
	kg	28.4/37.3

### EFFICIENCY

Cooling		Heating	
SEER2	20.0	HSPF2-4	8.5
EER2	9.8	COP	3.1

### PERFORMANCE of Cooling

Cooling (Btu/hr)	
Rated Capacity	17000
Min/Max Capacity	6400~18700
Moisture Removal(L/h)	2.37
Standard Operating Range(℉/℃)	-13~122(-25~50)
Conditions:	Indoor: 80℉ DB/67℉ WB Outdoor: 95℉ DB/75℉ WB

### PERFORMANCE of Heating

Heating (Btu/hr)	
1. @ 47℉ Rated	18000
1. @ 47℉ Min/Max Capacity	4500~18100
2. @ 17℉ Rated	11500
3. @ 5℉ Rated: Capacity / COP	9800/1.80
3. @ 5℉ Max: Capacity	9900
Standard Operating Range(℉/℃)	-13~75(-25~24)
1. Conditions:	Indoor: 70℉ DB/60℉ WB Outdoor: 47℉ DB/43℉ WB
2. Conditions:	Indoor: 70℉ DB/60℉ WB Outdoor: 17℉ DB/15℉ WB
3. Conditions:	Indoor: 70℉ DB/60℉ WB Outdoor: 5℉ DB/5℉ WB

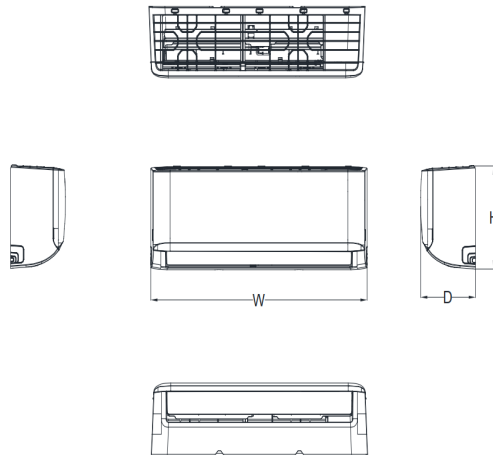
### ELECTRICAL

Power Supply	208/230V,60Hz,1Ph	
System MCA	15	
Connection Wiring	14#x4	
System MOCP	20	
Compressor RLA	9.5	
Outdoor Fan Motor RLA	0.4	
Outdoor Fan Motor W	34	
Indoor Fan Motor RLA	0.5	
Indoor Fan Motor W	30	
System Power Input @ Cooling (W)	1735(540 ~ 1860)	
System Power Input @ Heating (W)	1700(305 ~1920)	
MCA: Min. circuit amps (A)	MOCP: Max. over current protection (A)	
RLA: Rated load amps (A)	W: Fan motor rated output (W)	

### PIPING

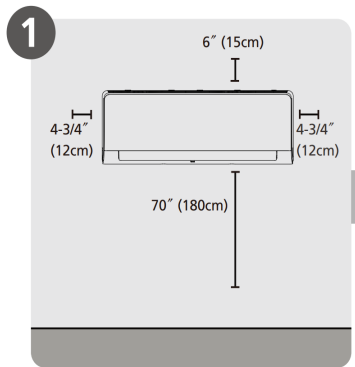
Throttle type(Indoor)	N/A
Throttle type(Outdoor)	(Capillary)
Liquid Size	6.35mm(1/4in)
Gas Size	12.7mm(1/2in)
Max. Piping Length(ft/m)	98.40(30)
Max. Height Difference(ft/m)	65.60(20)
Max. Pre-charged Length(ft/m)	24.6(7.5)
Refrigerant Pre-charged Amount(oz/g)	34.92(0.99)
Additional Charge of Refrigerant((oz/ft)/(g/m))	0.16(15)
Connection Method	Flared

### Indoor Unit Dimension

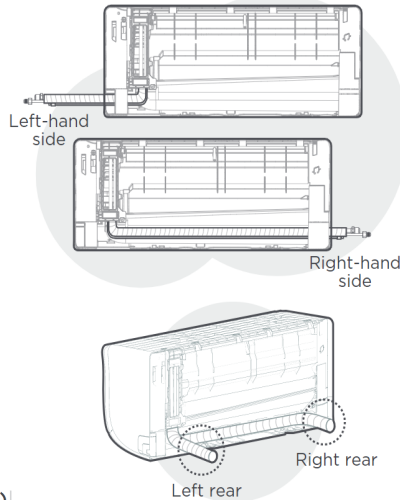


Capacity	Body Code	W(inch/mm)	D(mm/inch)	H(mm/inch)
6K~9K	A	28-3/4in /729mm	7-7/8in /200mm	11-1/2in /292mm
9K~12K	B	31-5/8in /802mm	7-7/8in /200mm	11-5/8in /295mm
18K	C	38-1/4in /971mm	9in/228mm	12-5/8in /321mm
18K~24K	D	42-5/8in /1082mm	9-1/4in/234mm	13-1/4in /337mm
30K~36K	F	49-5/8in /1259mm	11-1/8in/283mm	14-1/4in /362mm

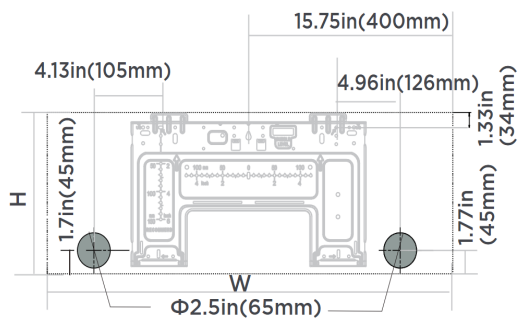
### Installation Instruction



**Select Installation Location**



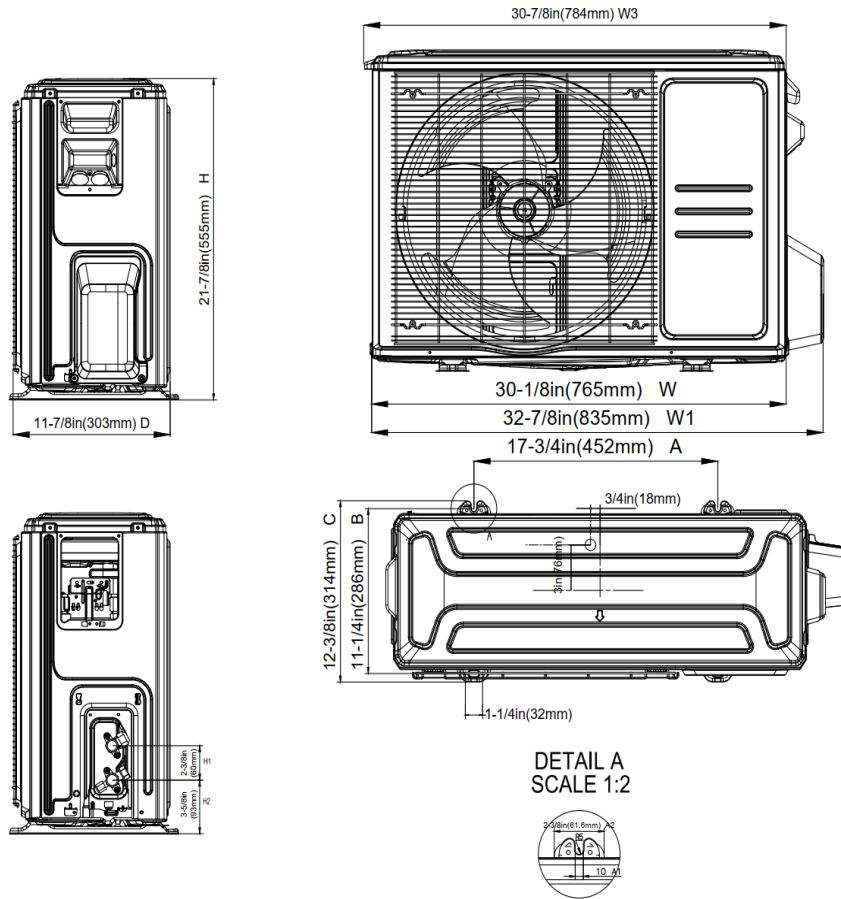
**NOTE:**  
Based on the position of the wall hole relative to the mounting plate, choose the side from which the piping will exit the unit. You have four options for the exit direction of the piping.



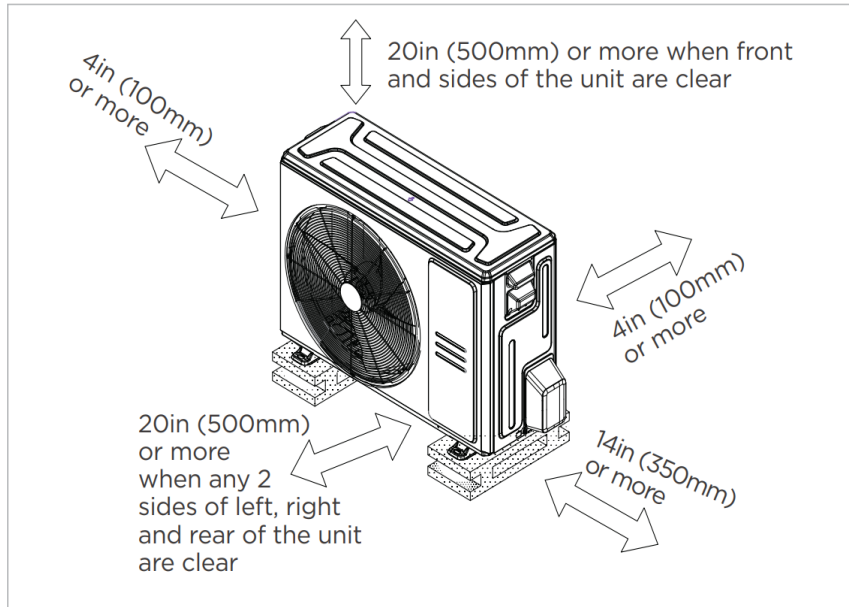
**Indoor unit dimensions(WxH):**  
28.7in(729mm)x11.5in(293mm)

**NOTE:**  
When the gas side connective pipe is  $\Phi$  (5/8in)16mm or more, the wall hole should be (3-1/2in)90mm.

### Outdoor Unit Dimension



### Installation Instruction



- ☑ Meets all spatial requirements shown in Installation Clearance Requirements above.

### FEATURES

- Indoor unit TU1 copper coil
- Humidity control
- 1~100% fan speed setting
- WiFi capability: through WiFi dongle or wired controller with built-in WiFi
- OTA(by using WiFi dongle)
- Multiple control options available:
  - Two way communication wired controller:120N(X6)
  - Two way communication wired controller with built-in WiFi:120N(X6W)
  - Infrared wired controller: 120L
  - Wireless remote controller
  - Third-Party 24V Thermostat\*

\*24V interface is required.