



BMAHC3016C Submittal Sheet



Models

BMAH3018C	30000 BTU 15.5 SEER2 Ducted Heat Pump Condenser
BMAHC36C	Up To 36,000 BTU Hyper Heat A Coil
BMAHC3016C	30000 BTU 15.5 SEER2 Ducted Heat Pump/Coil System

What's in the Box

Ducted Heat Pump System

BMAHC3016C

24000 BTU 15.5 SEER2 Ducted Heat Pump Condenser

Up To 36,000 BTU Hyper Heat A Coil

Remote Controller

Wired Controller



SUBMITTAL DATA SHEET

A-Coil Heat Pump System

Location: _____ Engineer: _____ Submitted to: _____ Submitted by: _____ Reference: _____	Approval: _____ Date: _____ Construction: _____ Unit #: _____ Drawing #: _____
--	--

Set Model	BMAHC3016C
Indoor unit model	BMAHC36C
Outdoor unit model	BMAH3018C
Certified	
  	



SYSTEM PERFORMANCE DATA

Power supply		
Normal Operational Voltage	(V, Ph, Hz)	208/230V, 1Ph, 60Hz
Voltage Range	(V)	187-253
Electrical		
Minimum circuit ampacity(Outdoor)	(A)	23.0
Max.fuse(Outdoor)	(A)	35.0
Connection wiring		N/A
Cooling		
Capacity	(Btu/h)	30000(9900~35000)
Power Input	(W)	2855(660~3720)
Current	(A)	11.1(3.10~14.4)
SEER2	(Btu/W)	15.5
EER2	(Btu/W)	10.5
Heating		
Capacity	(Btu/h)	33000(9000~37000)
Power Input	(W)	2845(640~3300)
Current	(A)	11.0(3.00~13)
HSPF2-4	(Btu/W)	9.7
COP	W/W	3.40
Heat at 17F(AHRI Rating)	(Btu/h)	22600
Heat at 5F(AHRI Rating)	(Btu/h)	27000
COP at 5F(AHRI Rating)	W/W	1.85

REFRIGERANT PIPE DATA

Throttle type	Indoor unit	TXV
	Outdoor unit	EEV for heating
Design pressure	(PSIG)	550/340
Refrigerant Type		R410A
Refrigerant charge	oz	134.04
Refrigerant precharge	(ft)	25.0
	(m)	7.5
Additional charge for each ft	(oz/ft)	0.69
Liquid side/ Gas side(indoor)	(inch)	3/8" / 3/4"
Liquid side/ Gas side(outdoor)	(inch)	3/8" / 3/4"
Max. pipe length	(ft)	164.0
Max. difference in level	(ft)	98.4
Connection method		Flared
Indoor(cooling)	(Deg. F)	60~90
Indoor(heating)	(Deg. F)	32~86
Outdoor(cooling)	(Deg. F)	5~122
Outdoor(heating)	(Deg. F)	-22~75

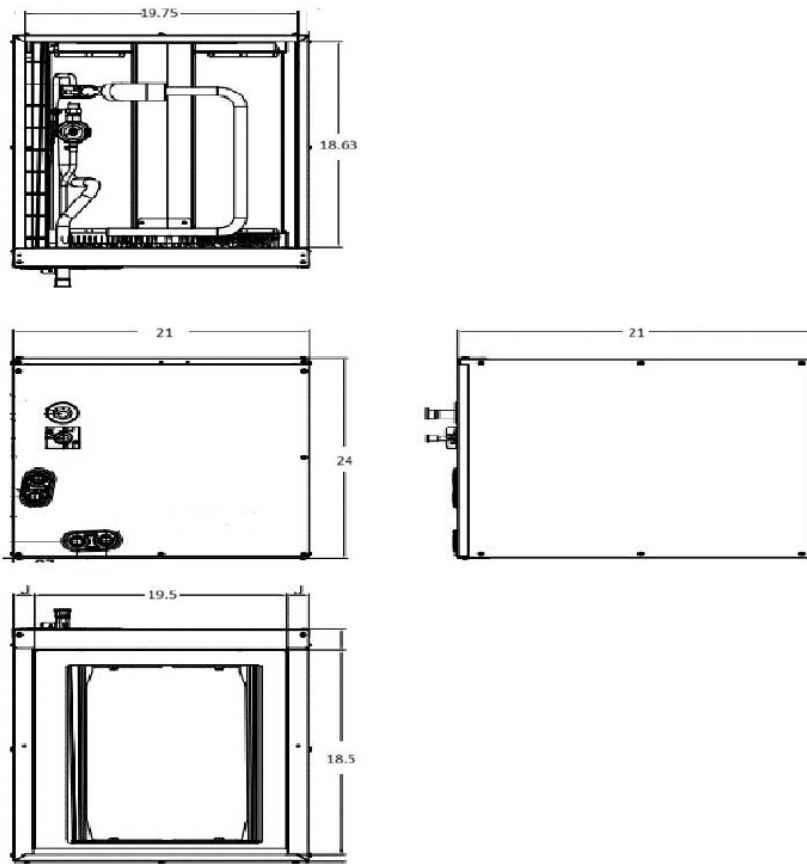
INDOOR UNIT DATA

Pressure drop	Pa	65.10
	In. wg.	0.26
Configuration		Upflow / DownFlow / Horizontal
Indoor unit		
Cabinet Size		C
Dimension (WxDxH)	(inch)	20.98x20.98x23.98
Packing(WxDxH)	(inch)	24.02x26.18x26.38
Net/Gross weight	(lbs.)	66.58/77.16

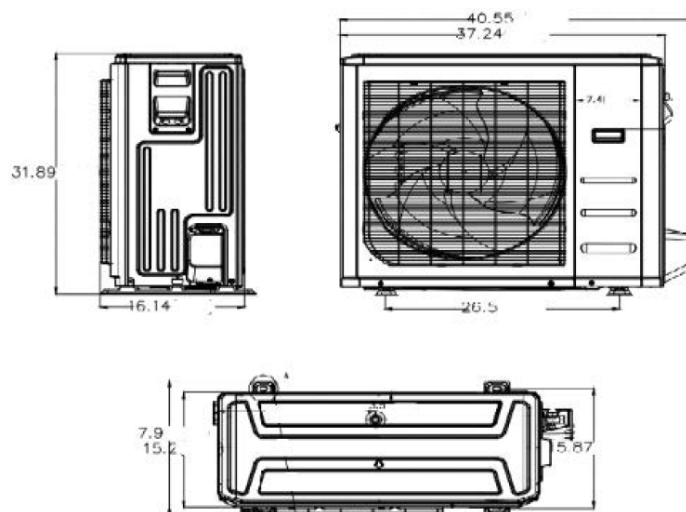
OUTDOOR UNIT DATA

Compressor		
Type		ROTARY
Model		KTF310D43UMT
Brand		GMCC
Capacity	(Btu/h)	34154
Input	(W)	2765
Rated current (RLA)	(A)	16.5
Refrigerant oil/oil charge	(ml)	VG74/1000
Outdoor fan motor		
Model		ZKFN-120-8-2
Qty		1
Input	(W)	150.0
Output	(W)	120
RLA	(A)	1.4
Air flow & Noise level		
Outdoor air flow (Max.)	(CFM)	3000
Outdoor noise level	[dB(A)]	62.0
Outdoor unit		
Dimension (WxDxH)	(inch)	37.24x16.14x31.89
Packing (WxDxH)	(inch)	42.91x19.69x34.84
Net/ Gross weight	(lbs.)	159.83/169.75

Indoor Unit Dimensions (Inches)



Outdoor Unit Dimensions (Inches)



COOLING PERFORMANCE DATA

YS Model	Cooling		Outdoor conditions (DB)																
	Indoor DB		5F	14F	17F	23F	32F	41F	47F	50F	59F	68F	77F	82F	86F	95F	104F	114.8F	122F
BMAHC36C BMAH3018C	73.4F	TC	43653	44135	44295	44278	44253	40425	36605	36943	37958	38974	39989	40553	39967	38647	37328	35745	34690
		Input	2.96	2.79	2.73	2.69	2.62	2.12	1.64	1.70	1.89	2.08	2.26	2.37	2.85	3.93	5.01	6.31	7.18
	77.0F	TC	43700	44183	44343	44327	44301	40469	36645	36983	38000	39016	40032	40597	40010	38689	37369	35784	34728
		Input	2.97	2.79	2.74	2.69	2.63	2.13	1.64	1.71	1.89	2.08	2.27	2.37	2.85	3.93	5.02	6.32	7.19
	80.0F	TC	43748	44231	44392	44375	44349	40513	36684	37024	38041	39058	40076	40641	40054	38731	37409	35823	34765
		Input	2.97	2.80	2.74	2.70	2.63	2.13	1.65	1.71	1.89	2.08	2.27	2.37	2.85	3.94	5.02	6.33	7.20
	80.6F	TC	43755	44238	44399	44382	44356	40519	36690	37029	38047	39064	40082	40647	40060	38737	37415	35829	34771
		Input	2.97	2.80	2.74	2.70	2.63	2.13	1.65	1.71	1.90	2.08	2.27	2.37	2.85	3.94	5.03	6.33	7.20
	84.2F	TC	43809	44293	44454	44437	44412	40569	36736	37075	38094	39113	40132	40698	40110	38786	37462	35873	34814
		Input	2.97	2.80	2.74	2.70	2.63	2.13	1.65	1.71	1.90	2.08	2.27	2.37	2.86	3.94	5.03	6.34	7.21

HEATING PERFORMANCE DATA

YS Model	Heating		Outdoor conditions (DB)																			
	Indoor Conditions DB		-22F	-13F	-10F	-4F	0F	5F	14F	17F	22F	27F	32F	37F	42F	44.6F	47F	52F	57F	59F	62F	64.4F
BMAHC36C BMAH3018C	60.8F	TC	16203	19075	20374	22972	25069	27689	26920	26664	28206	29749	31291	33395	36342	37520	39288	37324	35458	33685	32000	30400
		Input	3.45	3.60	3.65	3.76	3.97	4.23	3.54	3.31	3.36	3.41	3.46	3.47	3.42	3.40	3.34	3.27	3.21	3.14	3.08	3.02
	68F	TC	15879	18693	19966	22513	24567	27136	26382	26131	27642	29154	30665	32727	35615	36770	38502	36577	34748	33011	31360	29792
		Input	3.47	3.63	3.68	3.79	4.00	4.27	3.57	3.34	3.39	3.44	3.49	3.49	3.45	3.42	3.37	3.30	3.23	3.17	3.11	3.04
	70F	TC	15800	18600	19867	22400	24444	27000	26250	26000	27504	29008	30512	32564	35437	36586	38310	36394	34575	32846	31204	29643
		Input	3.48	3.63	3.69	3.79	4.01	4.28	3.58	3.34	3.39	3.44	3.50	3.50	3.45	3.43	3.38	3.31	3.24	3.18	3.11	3.05
	71.6F	TC	15737	18526	19787	22310	24347	26892	26145	25896	27394	28892	30390	32433	35295	36440	38157	36249	34436	32715	31079	29525
		Input	3.49	3.64	3.70	3.80	4.02	4.29	3.58	3.35	3.40	3.45	3.50	3.51	3.46	3.44	3.38	3.31	3.25	3.18	3.12	3.06
	75.2F	TC	15595	18359	19609	22110	24128	26650	25910	25663	27147	28632	30116	32141	34977	36112	37813	35923	34126	32420	30799	29259
		Input	3.50	3.66	3.71	3.82	4.03	4.30	3.60	3.36	3.41	3.47	3.52	3.52	3.47	3.45	3.40	3.33	3.26	3.20	3.13	3.07

LEGEND

DB --- Dry Bulb

TC --- Total Net Capacity (1000 Btu/hour)

Input --- Total Power (kW)



Certificate of Product Ratings

AHRI Certified Reference Number : 215359202 Date : 09-10-2024 Model Status : Active

AHRI Type : HRCU-A-C (Split System: Heat Pump with Remote Outdoor Unit with No Indoor Fan --Air Source)

Series : BMAH Series

Outdoor Unit Brand Name : BLUERIDGE

Outdoor Unit Model Number (Condenser or Single Package) : BMAH3018C

Indoor Unit Model Number (Evaporator and/or Air Handler) : BMAHC36C

The manufacturer of this BLUERIDGE product is responsible for the rating of this system combination.

Rated as follows in accordance with the latest edition of AHRI 210/240 - 2017 with Addendum 1, Performance Rating of Unitary Air-Conditioning & Air-Source Heat Pump Equipment and subject to rating accuracy by AHRI-sponsored, independent, third party testing:

Cooling Capacity (A2) - Single or High Stage (95F), btuh : 30000

SEER : 14.20

EER (A2) - Single or High Stage (95F) : 10.70

Heating Capacity (H12) - Single or High Stage (47F) : 34000

HSPF (Region IV) : 9.50

Rated as follows in accordance with the latest edition of AHRI 210/240 – 2024, Performance Rating of Unitary Air-Conditioning & Air-Source Heat Pump Equipment and subject to rating accuracy by AHRI-sponsored, independent, third party testing:

Cooling Capacity (A_{Full}) – Single or High Stage (95F), btuh : 30000

SEER2 : 15.50

EER2 (A_{Full}) – Single or High Stage (95F) : 10.50

Heating Capacity (H1_{Full}) – Single or High Stage (47F), btuh : 33000

HSPF2 (Region IV) : 9.70

AHRI CERTIFIED®
www.ahrirectory.org

†"Active" Model Status are those that an AHRI Certification Program Participant is currently producing AND selling or offering for sale; OR new models that are being marketed but are not yet being produced."Production Stopped" Model Status are those that an AHRI Certification Program Participant is no longer producing BUT is still selling or offering for sale.

Ratings that are accompanied by WAS indicate an involuntary re-rate. The new published rating is shown along with the previous (i.e. WAS) rating.

The Department of Energy has published updated energy efficiency metrics for central air conditioners and heat pumps. This publication reflects both the 1987 metric (SEER) and the 2023 metric (SEER2). Efficiency requirements are published at 10 C.F.R. 430.32(c). Please refer to www.AHRI.net.org for more information about updated energy efficiency metrics.

*This refers to the federal tax credit that may be known to consumers as "Inflation Reduction Act (IRA) of 2022 Tax Credit," "25C Tax Credit," or "Energy Efficient Home Improvement Credit." This is not intended to constitute tax or legal advice. Instead, it is for general informational purposes only. AHRI makes no representation or warranty, express or implied or assumes any legal liability or responsibility for the accuracy, completeness, any third party's use of, or the results of the use of potential eligibility for tax credit disclosed on the AHRI Directory of Certified Product Performance and AHRI Certificate of Product Ratings. Potential eligibility for tax credit may not constitute the most up to date information. AHRI is unable to advise or confirm tax credit eligibility. Individuals considering eligibility for the tax credit are advised to confirm eligibility with their equipment installers, tax attorneys or preparers.

DISCLAIMER

AHRI does not endorse the product(s) listed on this Certificate and makes no representations, warranties or guarantees as to, and assumes no responsibility for, the product(s) listed on this Certificate. AHRI expressly disclaims all liability for damages of any kind arising out of the use or performance of the product(s), or the unauthorized alteration of data listed on this Certificate. Certified ratings are valid only for models and configurations listed in the directory at www.ahrirectory.org.

TERMS AND CONDITIONS

This Certificate and its contents are proprietary products of AHRI. This Certificate shall only be used for individual, personal and confidential reference purposes. The contents of this Certificate may not, in whole or in part, be reproduced; copied; disseminated; entered into a computer database; or otherwise utilized, in any form or manner or by any means, except for the user's individual, personal and confidential reference.

CERTIFICATE VERIFICATION

The information for the model cited on this certificate can be verified at www.ahrirectory.org, click on "Verify Certificate" link and enter the AHRI Certified Reference Number and the date on which the certificate was issued, which is listed above, and the Certificate No., which is listed at bottom right.

©2024 Air-Conditioning, Heating, and Refrigeration Institute



we make life better™

CERTIFICATE NO.:

133704573932056481