

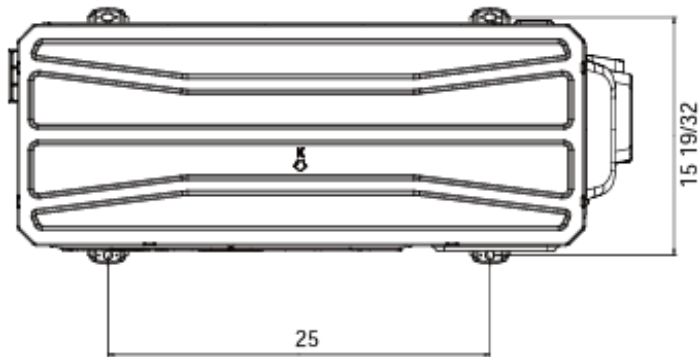
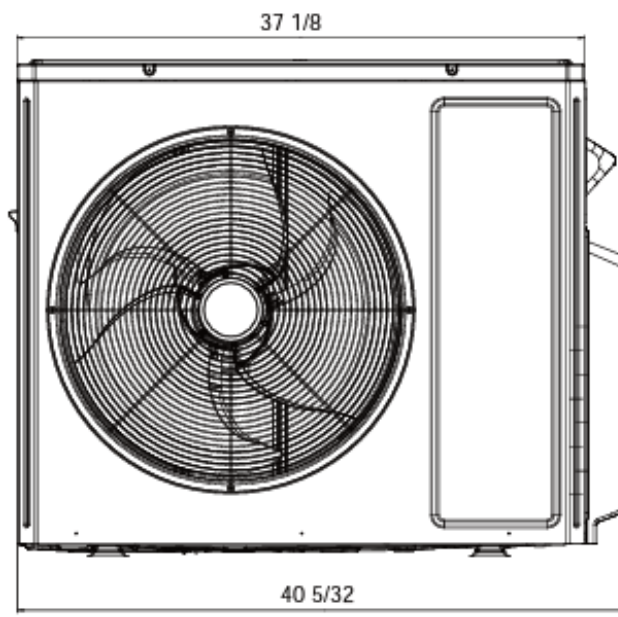
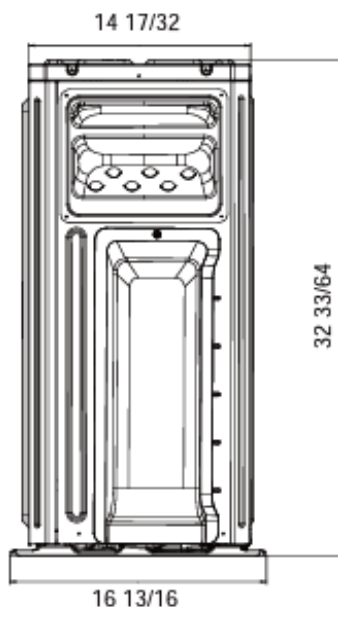
Technical Specifications				
Split Air Conditioner Outdoor Unit				
	Sr No	Parameter	Unit	Value
1	1	Model	—	BMKH42MC
2	2	Product Code	—	453094234
5	4	Cooling Capacity	Btu/h	36000
7	6	Min. Cooling Capacity	Btu/h	8871
9	8	Max. Cooling Capacity	Btu/h	40944
11	10	Heating Capacity	Btu/h	40000
13	12	Min. Heating Capacity	Btu/h	8871
15	14	Max. Heating Capacity	Btu/h	46062
17	16	EER	(Btu/h)/W	12.00
18	17	COP	W/W	3.88
20	19	SEER2	—	21.00
21	20	HSPF2	—	10.00
136	83	Cooling Operation Ambient Temperature Range	°F	-22 - 118.4
138	84	Heating Operation Ambient Temperature Range	°F	-22 - 75.2
31	22	Air Flow Volume	CFM	3413
34	23	Sound Pressure Level	dB(A)	63
46	25	Rated Voltage	V	208/230
47	26	Rated Frequency	Hz	60
48	27	Phases	—	1.00
53	30	Fuse Current	A	29
54	31	Circuit Breaker	A	45
55	32	AHRI Cooling Rated Power Input	Watts	3000
56	33	AHRI Heating Rated Power Input	Watts	3020
57	34	Maximum Power Input	Watts	4600/5200
58	35	AHRI Cooling Rated Power Input	A	13.31
59	36	AHRI Heating Rated Power Input	A	13.40
60	37	Maximum Power Input	A	20.41/22.61
61	38	Starting Current	A	5
66	39	Compressor Trademark	—	GREE
67	40	Compressor Manufacturer	—	ZHUHAI LANDA COMPRESSOR CO., LTD.
68	41	Compressor Model1	—	QXFS-D280zX070C
70	42	Compressor Type1	—	Twin Rotary
74	44	Compressor Power Input	W	2294
75	45	Compressor Rated Load Amp (RLA)	A	18.4
76	46	Compressor Locked Rotor Amp (L.R.A)	A	/
78	47	Compressor Thermal Protector	—	KSD115°C HPC115/95U1
79	48	Compressor Crankcase	W	/
80	49	Compressor Refrigerant Oil Type	—	FW68DA or equivalent
81	50	Compressor Refrigerant Oil Charge Volume	L	0.95
82	51	Chassis Electrical Heater Power Input	W	96
83	52	Chassis Electrical Heater Current	A	/
86	53	Fan Type	—	Axial-flow
87	54	Fan Quantity	—	1
88	55	Fan Diameter-height	mm	550-205
90	57	Motor Model	—	无刷直流电机 B-SWZ130E
91	58	Motor Type	—	DC motor
92	59	Motor Insulation Class	—	B
93	60	Motor Safe Class	—	IP44
94	61	Overload Protector	—	/
95	62	Motor Full Load Amp(FLA)	A	2.8
96	63	Fan Motor Drive Type	—	Direct drive
97	64	Fan Motor Speed	rpm	cooling860/heating860

Technical Specifications				
Split Air Conditioner Outdoor Unit				
Sr No	Parameter	Unit	Value	
98	Fan Motor Power Output	W	130	
99	Fan Motor Power Input	W	/	
100	Fan Motor Capacitor	μF	/	
106	Condenser Material	—	Aluminum Fin-copper Tube	
107	Condenser Face Area	m ²	0.84	
109	Condenser Pipe Diameter	in	0.31	
111	Condenser Number of Rows	—	3	
112	Condenser Tube Pitch(a)×Row Pitch(b)	in	0.75 x 0.87	
114	Condenser Fin Pitch	in	0.06	
117	Condenser Fin Type	—	波纹片	
118	Condenser Fin Colour	—	blue	
120	Condenser Length(L) × Height(H) × Width (W)	in	40 5/32 x 32 33/64 x 15	
122	Condenser Max. Allowable Pressure	MPa	10.0	
131	Permissible Excessive Operating Pressure for the Discharge Side	MPa	4.3	
132	Permissible Excessive Operating Pressure for the Suction Side	MPa	2.5	
133	Maximum Allowable Pressure	MPa	4.3	
134	High Presser Overload Protector	MPa	/	
135	Low Presser Overload Protector	MPa	/	

140	85	Maximum drive IDU NO.	unit	5
142	86	Defrosting Method	--	Automatic Defrosting
143	87	Isolation	—	I
144	88	Moisture Protection	--	IPX4
145	89	Overload Protector	—	/
146	90	Climate Type	—	T1
147	91	Refrigerant	—	R410A
148	92	Refrigerant Charge	lbs	8.4
150	93	Throttling Method	—	Electron expansion valve
167×169×171	95	Dimension of Carton Box(L×W×H)	in	42.91 x 19.45 x 34.25
173×175×177	96	Dimension of Package(L×W×H)	in	43.03 x 19.57 x 34.84
179	97	Net Weight	lbs	174.17
181	98	Gross Weight	lbs	189.6
191	102	Connection Pipe Connection Method	—	Flare Connection
192	103	Not Additional Gas Connection Pipe Length	ft	164.04
194	104	Connection Pipe Gas Additional Charge	g/m	20
196	105	Connection Pipe Liquid Pipe Outer Diameter 1	in	1/4
198	106	Connection Pipe Liquid Pipe Outer Diameter 2	in	1/4
200	107	Connection Pipe Liquid Pipe Outer Diameter 3	in	1/4
202	108	Connection Pipe Liquid Pipe Outer Diameter 4	in	1/4
204	109	Connection Pipe Liquid Pipe Outer Diameter 5	in	1/4
206	110	Connection Pipe Gas Pipe Outer Diameter 1	in	3/8
208	111	Connection Pipe Gas Pipe Outer Diameter 2	in	3/8
210	112	Connection Pipe Gas Pipe Outer Diameter 3	in	3/8
212	113	Connection Pipe Gas Pipe Outer Diameter 4	in	3/8
214	114	Connection Pipe Gas Pipe Outer Diameter 5	in	3/8
216	115	Connection Pipe Max. Height Distance (indoor and indoor)	ft	82.02
218	116	Connection Pipe Max. Height Distance (indoor and outdoor and indoor up)	ft	82.02

Technical Specifications				
Split Air Conditioner Outdoor Unit				
	Sr No	Parameter	Unit	Value
220	117	Connection Pipe Max. Height Distance (indoor and outdoor and outdoor up)	ft	82.02
222	118	Max. equivalent connection pipe length (outdoor to last indoor)	ft	82.02
224	119	Connection Pipe Max. Length Distance (total length)	ft	328.08
Air Condition Function				
241	120	Low Ambient Cooling Function		YES
242	121	Defrosting Time Set Function		NO
243	122	Low Voltage Startup		YES
244	123	Compressor With Electric Heater		NO
245	124	Chassis With Electric Heater		YES

GWHD(30)ND3MO GWHD(36)ND3MO GWHD(42)ND3MO



Unit: inch