



BMY1817 Specifications and Certifications



Models

BMY1817C	18000 BTU 18.3 SEER2 208/230V Mini-Split Heat Pump Condenser
BMY1817WM	18000 BTU 18.3 SEER2 208/230V Mini-Split Heat Pump Air Handler
BMY1817	18000 BTU 18.3 SEER2 208/230V Mini-Split Heat Pump System
BMY1817 KIT15	18000 BTU 18.3 SEER2 208/230V Mini-Split Heat Pump W/ 15 Ft Installation Kit
BMY1817 KIT25	18000 BTU 18.3 SEER2 208/230V Mini-Split Heat Pump W/ 25 Ft Installation Kit

What's in the Box

Mini-Split System

BMY1817	18000 BTU 18.3 SEER2 208/230V Mini-Split Heat Pump Condenser
	18000 BTU 18.3 SEER2 208/230V Mini-Split Heat Pump Air Handler
	Remote Controller



Mini-Split System with Installation Kit

BMY1817 KIT15	18000 BTU 18.3 SEER2 208/230V Mini-Split Heat Pump Condenser
	18000 BTU 18.3 SEER2 208/230V Mini-Split Heat Pump Air Handler
	15 Foot 1/4 LL 1/2 SL Ductless Mini-Split Line Set
	25 Foot Stranded Ductless Mini-Split Communication Wire
	2.5" Wall Sleeve for SpeediChannel™ Line Set Covers
	1/2 x 48 Inches, #10 Gauge Electrical Whip
	Nylog Blue Gasket, Flare and Thread Sealant
	Safety Non-Fused Electrical Disconnect
	5/8in Inner Diameter Drain Hose, 20ft Length
	Adapter 5/16" x 1/4" for Ductless Mini-Split Systems
Remote controller	



BMY1817 KIT25	18000 BTU 18.3 SEER2 208/230V Mini-Split Heat Pump Condenser
	18000 BTU 18.3 SEER2 208/230V Mini-Split Heat Pump Air Handler
	25 Foot 1/4 LL 1/2 SL Ductless Mini-Split Line Set
	35 Foot Stranded Ductless Mini-Split Communication Wire
	2.5" Wall Sleeve for SpeediChannel™ Line Set Covers
	1/2 x 48 Inches, #10 Gauge Electrical Whip
	Nylog Blue Gasket, Flare and Thread Sealant
	Safety Non-Fused Electrical Disconnect
	5/8in Inner Diameter Drain Hose, 20ft Length
	Adapter 5/16" x 1/4" for Ductless Mini-Split Systems
Remote controller	



Wall Mounted Heat Pump System	
Location: _____	Approval: _____
Engineer: _____	Date: _____
Submitted to: _____	Construction: _____
Submitted by: _____	Unit #: _____
Reference: _____	Drawing #: _____

Set Model	BMY1817 15 Ft Kit model BMY1817 KIT15 25 Ft Kit model BMY1817 KIT25
Certified	AHRI UL



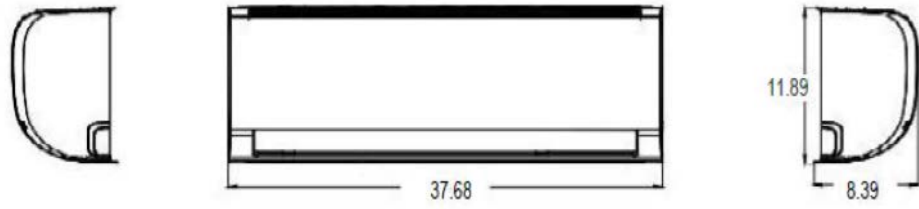
SYSTEM PERFORMANCE DATA		
Power supply		
Normal Operational Voltage	(V, Ph, Hz)	208/230V, 1Ph, 60Hz
Voltage Range	(V)	187-253
Electrical		
Minimum circuit ampacity(Outdoor)	(A)	15.0
Max.fuse(Outdoor)	(A)	20.0
Connection wiring		14#x4
Cooling		
Capacity	(Btu/h)	17000(6900~19600)
Power Input	(W)	1720(190~1570)
Current	(A)	7.6(1.48~6.9)
SEER2	(Btu/W)	18.3
EER2	(Btu/W)	9.9
Heating		
Capacity	(Btu/h)	18000(4480~18800)
Power Input	(W)	1720(320~1670)
Current	(A)	7.5(2.28~7.3)
HSPF2-4	(Btu/W)	8.7
COP	W/W	3.07
Heat at 17F(AHRI RATING)	(Btu/h)	10500
Heat at 5F(AHRI RATING)	(Btu/h)	10100
COP at 5F(AHRI RATING)	W/W	1.84

INDOOR UNIT DATA		
Indoor fan motor		
Model		YKFG-28-4-6-5
Qty		1
Input	(W)	58.5
Output	(W)	28.0
RLA	(A)	0.7
Air flow & Noise level		
Indoor air flow (Hi/Med/Lo) (No duct)	(CFM)	463.53/369.41/275.29
Indoor noise level (Hi/Med/Lo)	[dB(A)]	44/38/30
Dehumidification	(L/H)	2.04
Indoor unit		
Dimension (WxDxH)	(inch)	37.68x8.39x11.89
Packing(WxDxH)	(inch)	40.75x11.61x15.16
Net/Gross weight	(lbs.)	22.93/29.32

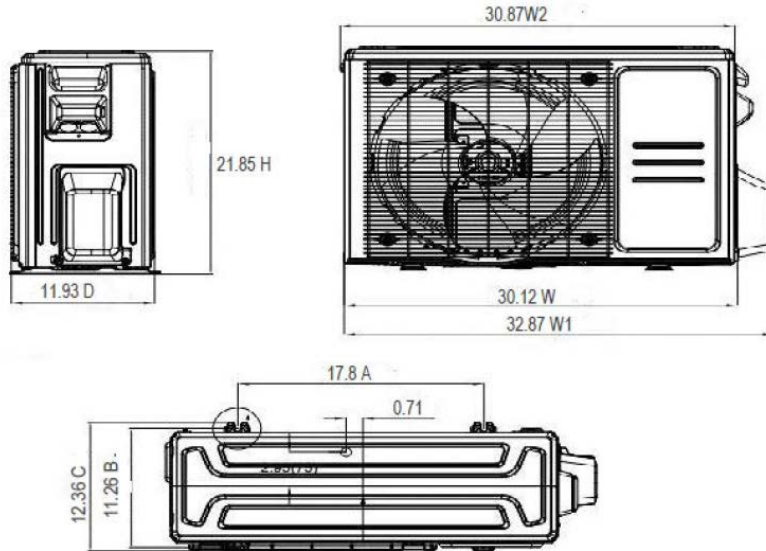
REFRIGERANT PIPE DATA		
Throttle type	Indoor unit	N/A
	Outdoor unit	Capillary
Design pressure	(PSIG)	550/340
Refrigerant Type		R410A
Refrigerant charge	oz	47.97
	(ft)	25.0
Refrigerant precharge	(m)	7.5
Additional charge for each ft	(oz/ft)	0.16
Liquid side/ Gas side(indoor)	(inch)	1/4"/1/2"
Liquid side/ Gas side(outdoor)	(inch)	1/4"/1/2"
Max. pipe length	(ft)	98.4
Max. difference in level	(ft)	65.6
Connection method		Flared
Indoor(cooling)	(Deg. °F)	62~90
Indoor(heating)	(Deg. °F)	32~86
Outdoor(cooling)	(Deg. °F)	5~122
Outdoor(heating)	(Deg. °F)	5~75

OUTDOOR UNIT DATA		
Compressor		
Type		ROTARY
Model		KSN140D21UFZ
Brand		GMCC
Capacity	(Btu/h)	14962
Input	(W)	1140
Rated current (RLA)	(A)	7.5
Refrigerant oil/oil charge	(ml)	VG74 440
Outdoor fan motor		
Model		ZKFN-34-10-1
Qty		1
Input	(W)	/
Output	(W)	34
RLA	(A)	0.8
Air flow & Noise level		
Outdoor air flow (Max.)	(CFM)	1235
Outdoor noise level	[dB(A)]	57.0
Outdoor unit		
Dimension (WxDxH)	(inch)	30.12x11.93x21.85
Packing (WxDxH)	(inch)	34.92x13.27x24.02
Net/ Gross weight	(lbs.)	64.15/69.67

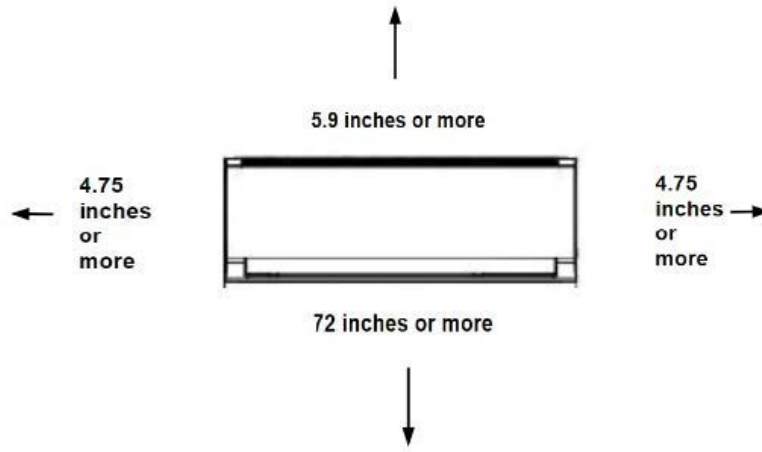
Indoor unit dimension (Inches)



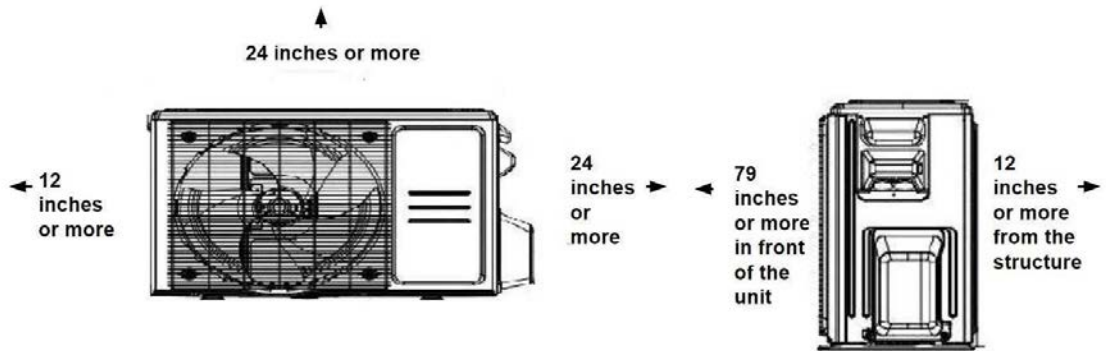
Outdoor unit dimension (Inches)



Indoor unit clearance (Inches)



Outdoor unit clearance (Inches)



COOLING PERFORMANCE DATA

Model	Cooling																
	Indoor Conditions DB		5°F	17°F	25°F	35°F	47°F	55°F	65°F	75°F	80°F	85°F	95°F	105°F	110°F	115°F	122°F
BMY1817WM BMY1817C Wall mounted (208-230V)	65°F	TC	14845	14886	14467	14210	14118	14465	14604	14786	15458	15180	15144	14364	13234	12408	10994
		Input	814	814	828	808	835	847	866	889	915	993	1061	1040	984	1047	1020
	70°F	TC	15610	15571	15390	14817	14783	15226	15324	15515	16136	15996	15858	15152	13814	13145	11585
		Input	811	815	834	809	834	844	866	891	913	985	1049	1052	972	1061	1031
	75°F	TC	16589	16530	16115	15747	15611	15910	16285	16470	16932	16715	16553	15783	14680	13735	12233
		Input	811	826	826	816	829	842	874	897	915	976	1031	1030	983	1047	1040
	80°F	TC	17298	17237	16928	16558	16381	16730	17053	17392	17711	17466	17261	16458	15535	14352	12973
		Input	798	816	819	818	827	849	871	893	915	997	1020	1012	999	1039	1057

HEATING PERFORMANCE DATA

Model	Heating												
	Indoor Conditions DB		5°F	10°F	17°F	20°F	25°F	32°F	35°F	40°F	47°F	50°F	57°F
BMY1817WM BMY1817C Wall mounted (208-230V)	60°F	TC	9308	10832	12388	12867	13316	13803	14256	16934	19903	20519	21081
		Input	1372	1409	1444	1478	1487	1505	1525	1643	1771	1735	1660
	65°F	TC	9063	10486	12038	12480	12953	13401	13854	16521	19379	20019	20448
		Input	1402	1453	1480	1514	1532	1545	1569	1690	1807	1774	1710
	70°F	TC	8799	10160	11665	12104	12539	13010	13477	15993	18888	19361	19833
		Input	1433	1488	1526	1545	1563	1584	1611	1739	1850	1810	1757
	75°F	TC	8438	9724	11257	11632	12000	12464	12911	15289	18038	18509	18980
		Input	1477	1533	1564	1585	1613	1635	1651	1794	1914	1855	1804

LEGEND

- DB --- Dry Bulb (Air Temperature without considering Humidity)
- TC --- Total Net Capacity 1000 Btu/hour (Actual Capacity + Dehumidifying Capacity)
- Input --- Total Power (W)

Certificate of Product Ratings

AHRI Certified Reference Number : 207826688 Date : 02-28-2024 Model Status : Active

AHRI Type : HRCU-A-CB-O (Mini-Split Heat Pump, with Remote Outdoor Unit Air-Source, Free Delivery)

Outdoor Unit Brand Name : BLUERIDGE

Outdoor Unit Model Number : BMY1817C

Indoor Type : Mini-Splits (Non-Ducted)

Indoor Model Number(s) : BMY1817WM

Rated as follows in accordance with the latest edition of AHRI 210/240 - 2017 with Addendum 1, Performance Rating of Unitary Air-Conditioning & Air-Source Heat Pump Equipment and subject to rating accuracy by AHRI-sponsored, independent, third party testing:

Cooling Capacity (A2) - Single or High Stage (95F), btuh : 17000

SEER : 16.80

EER (A2) - Single or High Stage (95F) : 9.90

Heating Capacity (H12) - Single or High Stage (47F) : 18000

HSPF (Region IV) : 9.70

Rated as follows in accordance with the latest edition of AHRI 210/240 – 2023, Performance Rating of Unitary Air-Conditioning & Air-Source Heat Pump Equipment and subject to rating accuracy by AHRI-sponsored, independent, third party testing:

Cooling Capacity (A_{Full}) – Single or High Stage (95F), btuh : 17000

SEER2 : 18.30

EER2 (A_{Full}) – Single or High Stage (95F) : 9.90

Heating Capacity (H1_{Full}) – Single or High Stage (47F), btuh : 18000

HSPF2 (Region IV) : 8.70

Sold in? : USA, Canada

AHRI CERTIFIED®
www.ahridirectory.org

†'Active' Model Status are those that an AHRI Certification Program Participant is currently producing AND selling or offering for sale; OR new models that are being marketed but are not yet being produced. "Production Stopped" Model Status are those that an AHRI Certification Program Participant is no longer producing BUT is still selling or offering for sale.

Ratings that are accompanied by WAS indicate an involuntary re-rate. The new published rating is shown along with the previous (i.e. WAS) rating.

The Department of Energy has published updated energy efficiency metrics for central air conditioners and heat pumps. This publication reflects both the 1987 metric (SEER) and the 2023 metric (SEER2). Efficiency requirements are published at 10 C.F.R. 430.32(c). Please refer to www.AHRInet.org for more information about updated energy efficiency metrics.

DISCLAIMER

AHRI does not endorse the product(s) listed on this Certificate and makes no representations, warranties or guarantees as to, and assumes no responsibility for, the product(s) listed on this Certificate. AHRI expressly disclaims all liability for damages of any kind arising out of the use or performance of the product(s), or the unauthorized alteration of data listed on this Certificate. Certified ratings are valid only for models and configurations listed in the directory at www.ahridirectory.org.

TERMS AND CONDITIONS

This Certificate and its contents are proprietary products of AHRI. This Certificate shall only be used for individual, personal and confidential reference purposes. The contents of this Certificate may not, in whole or in part, be reproduced; copied; disseminated; entered into a computer database; or otherwise utilized, in any form or manner or by any means, except for the user's individual, personal and confidential reference.

CERTIFICATE VERIFICATION

The information for the model cited on this certificate can be verified at www.ahridirectory.org, click on "Verify Certificate" link and enter the AHRI Certified Reference Number and the date on which the certificate was issued, which is listed above, and the Certificate No., which is listed at bottom right.

©2024 Air-Conditioning, Heating, and Refrigeration Institute



we make life better™

CERTIFICATE NO.:

133536242849116590