



BMY2417 Specifications and Certifications



Models

BMY2417C	24000 BTU 16.7 SEER2 208/230V Mini-Split Heat Pump Condenser
BMY2417WM	24000 BTU 16.7 SEER2 208/230V Mini-Split Heat Pump Air Handler
BMY2417	24000 BTU 16.7 SEER2 208/230V Mini-Split Heat Pump System
BMY2417 KIT15	24000 BTU 16.7 SEER2 208/230V Mini-Split Heat Pump W/ 15 Ft Installation Kit
BMY2417 KIT25	24000 BTU 16.7 SEER2 208/230V Mini-Split Heat Pump W/ 25 Ft Installation Kit

What's in the Box

Mini-Split System

BMY2417	24000 BTU 16.7 SEER2 208/230V Mini-Split Heat Pump Condenser
	24000 BTU 16.7 SEER2 208/230V Mini-Split Heat Pump Air Handler
	Remote Controller



Mini-Split System with Installation Kit

BMY2417 KIT15	24000 BTU 16.7 SEER2 208/230V Mini-Split Heat Pump Condenser
	24000 BTU 16.7 SEER2 208/230V Mini-Split Heat Pump Air Handler
	15 Foot 3/8 LL 5/8 SL Ductless Mini-Split Line Set
	25 Foot Stranded Ductless Mini-Split Communication Wire
	3" Wall Sleeve for SpeediChannel™ Line Set Covers
	1/2 x 48 Inches, #10 Gauge Electrical Whip
	Nylog Blue Gasket, Flare and Thread Sealant
	Safety Non-Fused Electrical Disconnect
	5/8in Inner Diameter Drain Hose, 20ft Length
	Adapter 5/16" x 1/4" for Ductless Mini-Split Systems
Remote controller	



BMY2417 KIT25	24000 BTU 16.7 SEER2 208/230V Mini-Split Heat Pump Condenser
	24000 BTU 16.7 SEER2 208/230V Mini-Split Heat Pump Air Handler
	25 Foot 3/8 LL 5/8 SL Ductless Mini-Split Line Set
	35 Foot Stranded Ductless Mini-Split Communication Wire
	3" Wall Sleeve for SpeediChannel™ Line Set Covers
	1/2 x 48 Inches, #10 Gauge Electrical Whip
	Nylog Blue Gasket, Flare and Thread Sealant
	Safety Non-Fused Electrical Disconnect
	5/8in Inner Diameter Drain Hose, 20ft Length
	Adapter 5/16" x 1/4" for Ductless Mini-Split Systems
Remote controller	



Wall Mounted Heat Pump System	
Location: _____ Engineer: _____ Submitted to: _____ Submitted by: _____ Reference: _____	Approval: _____ Date: _____ Construction: _____ Unit #: _____ Drawing #: _____

Set Model	BMY2417 15 Ft Kit model BMY2417 KIT15 25 Ft Kit model BMY2417 KIT25
Certified	AHRI  UL 



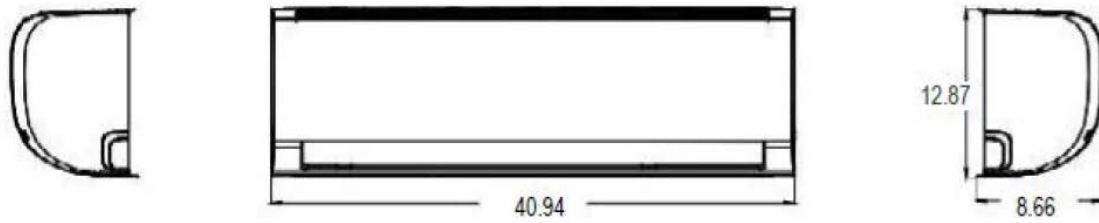
SYSTEM PERFORMANCE DATA		
Power supply		
Normal Operational Voltage	(V, Ph, Hz)	208/230V,1Ph,60Hz
Voltage Range	(V)	187-253
Electrical		
Minimum circuit ampacity(Outdoor)	(A)	19.0
Max.fuse(Outdoor)	(A)	30.0
Connection wiring		14#x4
Cooling		
Capacity	(Btu/h)	24000(6400~24300)
Power Input	(W)	2695(335~2940)
Current	(A)	12.3(2.1~12.9)
SEER2	(Btu/W)	16.7
EER2	(Btu/W)	8.9
Heating		
Capacity	(Btu/h)	24000(6700~27500)
Power Input	(W)	2490(485~3020)
Current	(A)	11.3(3.3~13.2)
HSPF2-4	(Btu/W)	8.0
COP	W/W	2.82
Heat at 17F(AHRI RATING)	(Btu/h)	16000
Heat at 5F(AHRI RATING)	(Btu/h)	15100
COP at 5F(AHRI RATING)	W/W	1.80

INDOOR UNIT DATA		
Indoor fan motor		
Model		YKFG-45-4-13
Qty		1
Input	(W)	89.0
Output	(W)	45.0
RLA	(A)	0.5
Air flow & Noise level		
Indoor air flow (Hi/Med/Lo) (No duct)	(CFM)	588.24/564.71/447.06/341.18
Indoor noise level (Hi/Med/Lo)	[dB(A)]	46/40/33.5
Dehumidification	(L/H)	3.26
Indoor unit		
Dimension (WxDxH)	(inch)	40.94x8.66x12.87
Packing(WxDxH)	(inch)	44.09x15.94x12.40
Net/Gross weight	(lbs.)	28.88/36.60

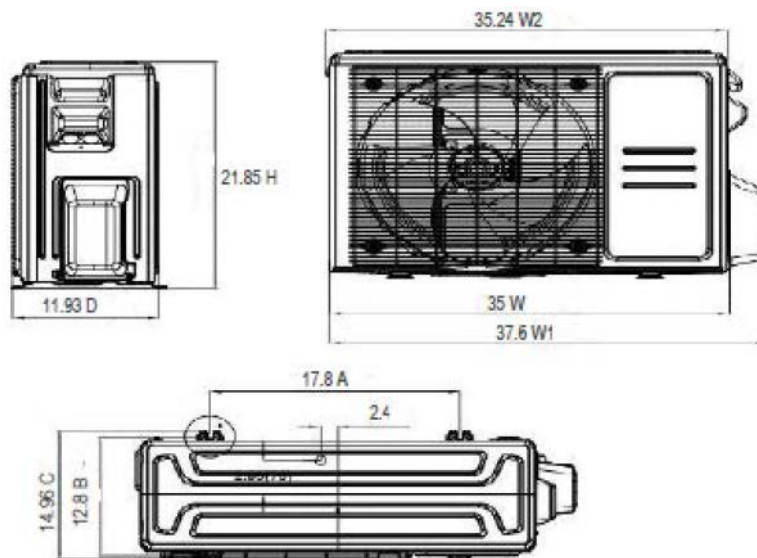
REFRIGERANT PIPE DATA		
Throttle type	Indoor unit	N/A
	Outdoor unit	Capillary
Design pressure	(PSIG)	550/340
Refrigerant Type		R410A
Refrigerant charge	oz	62.79
Refrigerant precharge	(ft)	25.0
Additional charge for each ft	(oz/ft)	0.32
Liquid side/ Gas side(indoor)	(inch)	3/8"/5/8"
Liquid side/ Gas side(outdoor)	(inch)	3/8"/5/8"
Max. pipe length	(ft)	164.0
Max. difference in level	(ft)	82.0
Connection method		Flared
Indoor(cooling)	(Deg. °F)	62~90
Indoor(heating)	(Deg. °F)	32~86
Outdoor(cooling)	(Deg. °F)	5~122
Outdoor(heating)	(Deg. °F)	5~75

OUTDOOR UNIT DATA		
Compressor		
Type		Twin-ROTARY
Model		KTM240D57UMT
Brand		GMCC
Capacity	(Btu/h)	26409
Input	(W)	2085
Rated current (RLA)	(A)	14.25
Refrigerant oil/oil charge	(ml)	ESTER OIL VG74 670
Outdoor fan motor		
Model		ZKFN-80-8-3
Qty		1
Input	(W)	/
Output	(W)	80
RLA	(A)	0.8
Air flow & Noise level		
Outdoor air flow (Max.)	(CFM)	1765
Outdoor noise level	[dB(A)]	59.5
Outdoor unit		
Dimension (WxDxH)	(inch)	35.04x13.46x26.50
Packing (WxDxH)	(inch)	39.17x15.67x29.13
Net/ Gross weight	(lbs.)	97.88/104.50

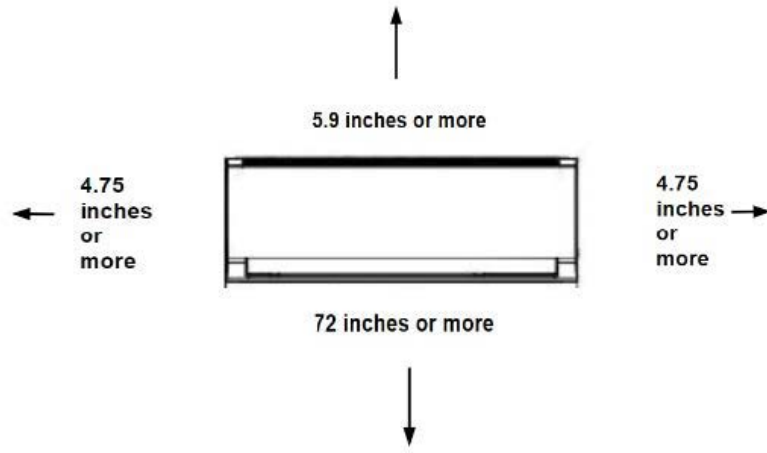
Indoor unit dimension (Inches)



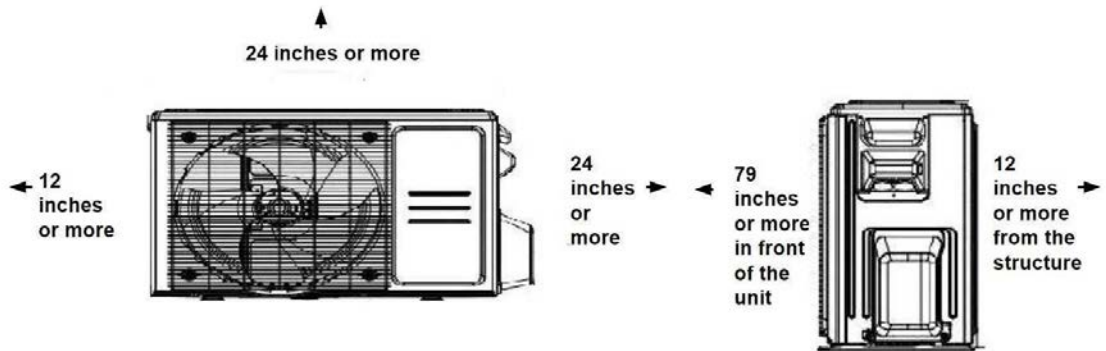
Outdoor unit dimension (Inches)



Indoor unit clearance (Inches)



Outdoor unit clearance (Inches)



COOLING PERFORMANCE DATA

Model	Cooling																
	Indoor Conditions DB		5°F	17°F	25°F	35°F	47°F	55°F	65°F	75°F	80°F	85°F	95°F	105°F	110°F	115°F	122°F
BMY2417WM BMY2417C Wall mounted (208-230V)	65°F	TC	24480	23882	22907	22427	22092	22021	21383	21475	21243	21161	21219	19521	18799	17076	15500
		Input	1789	1883	1849	1813	1812	1853	1849	1925	1936	2293	2982	2856	2898	2902	3180
	70°F	TC	25877	25245	24036	23682	23255	23180	22532	22605	22290	22182	22172	20701	19872	18166	16490
		Input	1807	1903	1836	1817	1819	1847	1867	1911	1914	2283	2988	2895	2886	2957	3187
	75°F	TC	27210	26407	25382	24669	24224	24221	23693	23597	23638	23154	23120	21952	20808	19002	17321
		Input	1817	1907	1834	1800	1793	1822	1847	1877	1918	2243	2951	2929	2901	2945	3147
	80°F	TC	28613	27944	27002	26132	25392	25230	25072	24917	24777	24554	24286	23181	21857	20172	18214
		Input	1806	1903	1853	1808	1797	1818	1842	1865	1894	2823	2939	2923	2880	2992	3147

HEATING PERFORMANCE DATA

Model	Heating												
	Indoor Conditions DB		5°F	10°F	17°F	20°F	25°F	32°F	35°F	40°F	47°F	50°F	57°F
BMY2417WM BMY2417C Wall mounted (208-230V)	60°F	TC	15318	17206	19247	20298	21484	22509	23712	26761	29231	30093	30753
		Input	2189	2300	2447	2536	2611	2690	2745	2807	2855	2790	2734
	65°F	TC	14930	16673	18686	19668	20919	21938	23043	26032	28435	29131	29828
		Input	2239	2362	2507	2598	2681	2748	2806	2885	2940	2856	2796
	70°F	TC	14552	16187	18107	19189	20270	21320	22307	25225	27661	28283	29044
		Input	2299	2417	2580	2662	2744	2813	2870	2965	3016	2932	2865
	75°F	TC	13897	15588	17346	18459	19480	20510	21348	24342	26416	27152	27853
		Input	2361	2483	2670	2739	2824	2911	2941	3045	3115	3035	2954

LEGEND

DB --- Dry Bulb (Air Temperature without considering Humidity)

TC --- Total Net Capacity 1000 Btu/hour (Actually Capacity + Dehumidifying Capacity)

Input --- Total Power (W)

Certificate of Product Ratings

AHRI Certified Reference Number : 207826689 Date : 02-28-2024 Model Status : Active

AHRI Type : HRCU-A-CB-O (Mini-Split Heat Pump, with Remote Outdoor Unit Air-Source, Free Delivery)

Outdoor Unit Brand Name : BLUERIDGE

Outdoor Unit Model Number : BMY2417C

Indoor Type : Mini-Splits (Non-Ducted)

Indoor Model Number(s) : BMY2417WM

Rated as follows in accordance with the latest edition of AHRI 210/240 - 2017 with Addendum 1, Performance Rating of Unitary Air-Conditioning & Air-Source Heat Pump Equipment and subject to rating accuracy by AHRI-sponsored, independent, third party testing:

Cooling Capacity (A2) - Single or High Stage (95F), btuh : 24000

SEER : 16.50

EER (A2) - Single or High Stage (95F) : 8.90

Heating Capacity (H12) - Single or High Stage (47F) : 24000

HSPF (Region IV) : 9.50

Rated as follows in accordance with the latest edition of AHRI 210/240 – 2023, Performance Rating of Unitary Air-Conditioning & Air-Source Heat Pump Equipment and subject to rating accuracy by AHRI-sponsored, independent, third party testing:

Cooling Capacity (A_{Full}) – Single or High Stage (95F), btuh : 24000

SEER2 : 16.70

EER2 (A_{Full}) – Single or High Stage (95F) : 8.90

Heating Capacity (H1_{Full}) – Single or High Stage (47F), btuh : 24000

HSPF2 (Region IV) : 8.00

Sold in? : USA, Canada

AHRI CERTIFIED®
www.ahridirectory.org

†'Active' Model Status are those that an AHRI Certification Program Participant is currently producing AND selling or offering for sale; OR new models that are being marketed but are not yet being produced. "Production Stopped" Model Status are those that an AHRI Certification Program Participant is no longer producing BUT is still selling or offering for sale.

Ratings that are accompanied by WAS indicate an involuntary re-rate. The new published rating is shown along with the previous (i.e. WAS) rating.

The Department of Energy has published updated energy efficiency metrics for central air conditioners and heat pumps. This publication reflects both the 1987 metric (SEER) and the 2023 metric (SEER2). Efficiency requirements are published at 10 C.F.R. 430.32(c). Please refer to www.AHRInet.org for more information about updated energy efficiency metrics.

DISCLAIMER

AHRI does not endorse the product(s) listed on this Certificate and makes no representations, warranties or guarantees as to, and assumes no responsibility for, the product(s) listed on this Certificate. AHRI expressly disclaims all liability for damages of any kind arising out of the use or performance of the product(s), or the unauthorized alteration of data listed on this Certificate. Certified ratings are valid only for models and configurations listed in the directory at www.ahridirectory.org.

TERMS AND CONDITIONS

This Certificate and its contents are proprietary products of AHRI. This Certificate shall only be used for individual, personal and confidential reference purposes. The contents of this Certificate may not, in whole or in part, be reproduced; copied; disseminated; entered into a computer database; or otherwise utilized, in any form or manner or by any means, except for the user's individual, personal and confidential reference.

CERTIFICATE VERIFICATION

The information for the model cited on this certificate can be verified at www.ahridirectory.org, click on "Verify Certificate" link and enter the AHRI Certified Reference Number and the date on which the certificate was issued, which is listed above, and the Certificate No., which is listed at bottom right.

©2024 Air-Conditioning, Heating, and Refrigeration Institute



we make life better™

CERTIFICATE NO.:

133536248027794121