



BMY24DIY21 Submittal Sheet



Models

BMY24DIY21C	24000 BTU 20.5 SEER2 208/230V DIY Minisplit Heat Pump Condenser
BMY24DIY21WM	24000 BTU 20.5 SEER2 208/230V DIY Minisplit Heat Pump Air Handler
BMY24DIY21	24000 BTU 20.5 SEER2 208/230V DIY Minisplit Heat Pump System
BMY24DIY21 KIT25	24000 BTU 20.5 SEER2 208/230V DIY Minisplit Heat Pump W/ 25 Ft Installation Kit

What's in the Box

Mini-Split System

BM Y24DIY21	24000 BTU 20.5 SEER2 208-230V Mini-Split Heat Pump Condenser
	24000 BTU 20.5 SEER2 208-230V Mini-Split Heat Pump Air Handler
	25 Foot 3/8 LL 5/8 SL Ductless Mini-Split Line Set
	25' Stranded Ductless Mini-Split Communication Wire - Non-Shielded (600 Volt)
	Wall Sleeve
	Remote Controller






Mini-Split System with Installation Kit

BM Y24DIY21 KIT25	24000 BTU 20.5 SEER2 208-230V Mini-Split Heat Pump Condenser
	24000 BTU 20.5 SEER2 208-230V Mini-Split Heat Pump Air Handler
	25 Foot 3/8 LL 5/8 SL Ductless Mini-Split Line Set
	25' Stranded Ductless Mini-Split Communication Wire - Non-Shielded (600 Volt)
	1/2 x 48 Inches, #10 Gauge Electrical Whip
	Safety Non-Fused Electrical Disconnect
	5/8in Inner Diameter Drain Hose, 20ft Length
	Wall Sleeve
	Remote controller



Wall Mounted Heat Pump System Location: _____ Engineer: _____ Submitted to: _____ Submitted by: _____ Reference: _____	Approval: _____ Date: _____ Construction: _____ Unit #: _____ Drawing #: _____
--	--

Set Model	BMY24DIY21 25 Ft Kit Model
Certified	AHRI  UL  



SYSTEM PERFORMANCE DATA			
Power supply			
Normal Operational Voltage	(V, Ph, Hz)		208/230V,1Ph,60Hz
Electrical			
Minimum circuit ampacity(Outdoor)	(A)		22
Max.fuse(Outdoor)	(A)		35
Connection wiring			14#x4//
Cooling			
Capacity	(Btu/h)		23000(8500-26600)
Power Input	(W)		1840(400-2630)
Current	(A)		8.2(1.75-11.43)
SEER2	(Btu/W)		20.5
EER2	(Btu/W)		12.5
Heating			
Capacity	(Btu/h)		25000(10350-30400)
Power Input	(W)		2326(550-3220)
Current	(A)		10.2(2.4-14)
HSPF2-4	(Btu/W)		9.2
COP	W/W		3.15
Heat at 17F(AHRI Rating)	(Btu/h)		15500
Heat at 5F(AHRI Rating)	(Btu/h)		/
COP at 5F(AHRI Rating)	W/W		/

INDOOR UNIT DATA			
Indoor fan motor			
Model			ZKFP-58-8-1-5
Qty			1
Input	(W)		58
Output	(W)		
RLA	(A)		0.45
Speed(Hi/Mi/Lo)	(r/min)		1200/1000/700
Air flow & Noise level			
Indoor air flow (Hi/Med/Lo) (No duct)	(CFM)		752.94/605.88/505.88/364.71
Indoor noise level (Hi/Med/Lo)	[dB(A)]		48.5/43.5/33
Dehumidification			
	(L/H)		/
Indoor unit			
Dimension (WxDxH)	(inch)		42.52x8.90x13.19
Packing(WxDxH)	(inch)		49.09x19.57x17.32
Net/Gross weight	(lbs.)		35.27/60.19

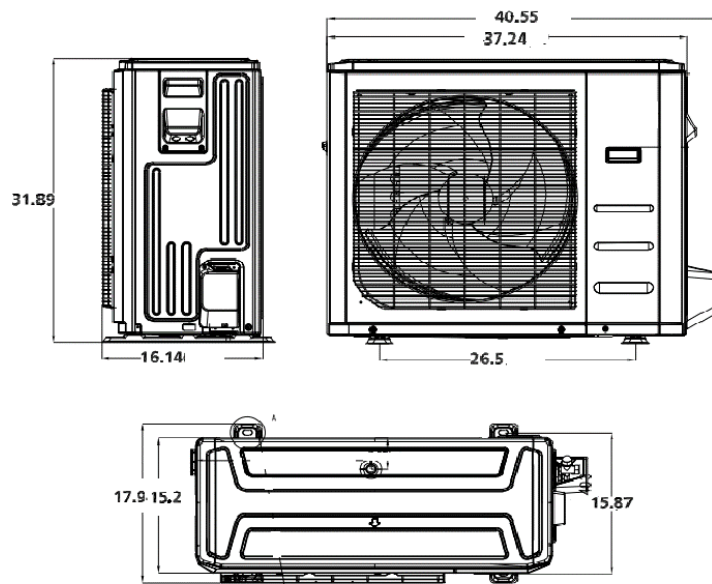
REFRIGERANT PIPE DATA			
Throttle type	Indoor unit		N/A
	Outdoor unit		EXV+Throttle valve
Design pressure	(PSIG)		550/340
Refrigerant Type			R410A
Refrigerant charge	oz		81.13
Refrigerant precharge	(ft)		25.0
Additional charge for each ft	(oz/ft)		0.32
Liquid side/ Gas side(indoor)	(inch)		3/8in/5/8in
Liquid side/ Gas side(outdoor)	(inch)		3/8in/5/8in
Max. pipe length	(ft)		98.42
Max. difference in level	(ft)		65.62
Connection method			Flared
Remote Control Temp Range(cooling)	(Deg. °F)		62 - 86
Remote Control Temp Range(heating)	(Deg. °F)		62 - 86
Outdoor(cooling)	(Deg. °F)		-13-122
Outdoor(heating)	(Deg. °F)		-13-86

OUTDOOR UNIT DATA			
Compressor			
Type			Twin-ROTARY
Model			KTM240D57UMT
Brand			GMCC
Capacity	(W)		7740
Input	(W)		2085
Rated current (RLA)	(A)		15
Refrigerant oil/oil charge	(ml)		ESTER OIL VG74 670
Outdoor fan motor			
Model			ZKFN-120-8-2
Qty			1
Input	(W)		150
Output	(W)		
RLA	(A)		0.6
Air flow & Noise level			
Outdoor air flow (Max.)	(CFM)		2235.29
Outdoor noise level	[dB(A)]		60
Outdoor unit			
Dimension (WxDxH)	(inch)		37.24x16.14x31.89
Packing (WxDxH)	(inch)		42.91x19.88x37.01
Net/ Gross weight	(lbs.)		125.22/143.74

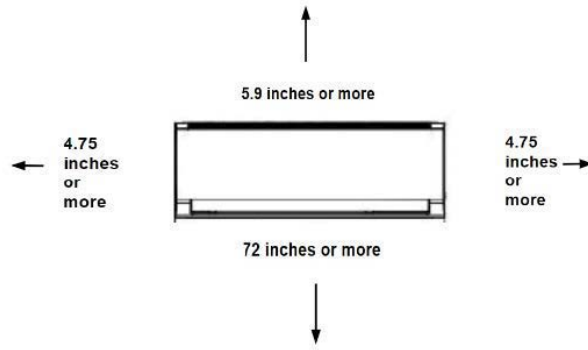
Indoor unit dimension (Inches)



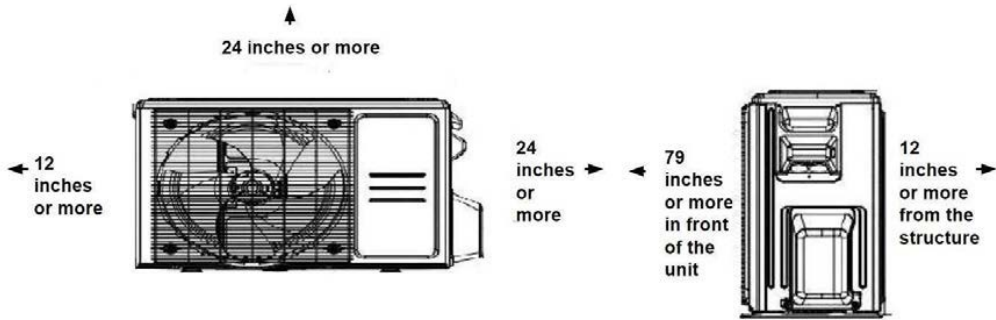
Outdoor unit dimension (Inches)



Indoor unit clearance (Inches)



Outdoor unit clearance (Inches)



COOLING PERFORMANCE DATA

Model	Cooling		Outdoor conditions (DB)																	
	Indoor Conditions DB		-13°F	-4°F	0°F	5°F	17°F	25°F	35°F	47°F	55°F	65°F	75°F	80°F	85°F	95°F	105°F	110°F	115°F	122°F
BMY24DIY21WM BMY24DIY21C	65°F	TC	19720	20302	20518	21209	20970	22745	23096	23851	24219	24099	24493	24659	23474	23022	21868	21477	20611	19145
		Input	780	856	917	981	1068	1175	1173	1196	1370	1515	1751	2018	2237	2670	2557	2603	2695	2692
	70°F	TC	20846	21215	21781	22302	22214	23692	24109	24870	25360	25528	25647	25687	24972	24106	22995	22513	21605	20153
		Input	786	854	915	973	1073	1157	1170	1186	1354	1520	1744	2000	2249	2642	2576	2578	2689	2715
	75°F	TC	22059	22099	22760	23328	23556	24679	25351	26346	26893	26648	27169	27039	26067	25269	24437	23748	22647	21169
		Input	787	840	908	974	1083	1133	1179	1203	1352	1504	1751	2021	2230	2612	2606	2570	2678	2700
	80°F	TC	23099	23410	23957	24453	25033	25842	26546	27909	28043	28169	28301	28432	27439	26627	25723	24763	23839	22472
		Input	791	846	901	964	1087	1129	1167	1219	1352	1513	1735	2036	2464	2637	2609	2568	2672	2723

HEATING PERFORMANCE DATA

Model	Heating		Outdoor conditions (DB)													
	Indoor Conditions DB		-13°F	-4°F	0°F	5°F	10°F	17°F	20°F	25°F	32°F	35°F	40°F	47°F	50°F	57°F
BMY24DIY21WM BMY24DIY21C	60°F	TC	10966	11897	13418	15007	17570	19647	20688	21546	22666	23370	28006	32413	33434	34492
		Input	2248	2023	2130	2296	2413	2463	2475	2523	2541	2571	2868	3046	2945	2853
	65°F	TC	10688	11584	12977	14598	17108	18983	20066	20980	22027	22800	27086	31348	32304	33390
		Input	2294	2082	2187	2353	2478	2539	2552	2577	2619	2634	2942	3134	3005	2917
	70°F	TC	10327	11225	12562	14132	16545	18520	19425	20349	21282	22179	26348	30435	31302	32261
		Input	2358	2142	2252	2411	2554	2607	2631	2657	2684	2691	3002	3228	3079	2986
	75°F	TC	9883	10821	12110	13496	15933	17723	18726	19474	20516	21203	25347	29369	30206	30938
		Input	2431	2206	2322	2478	2636	2682	2702	2726	2759	2771	3086	3308	3187	3063

LEGEND

DB --- Dry Bulb (Air Temperature without considering humidity)
 TC --- Total Net Capacity 1000 Btu/hour (Actual Capacity + Dehumidifying Capacity)
 Input --- Total Power (W)

Certificate of Product Ratings

AHRI Certified Reference Number : 207339181 Date : 02-29-2024 Model Status : Active
 AHRI Type : HRCU-A-CB-O (Mini-Split Heat Pump, with Remote Outdoor Unit Air-Source, Free Delivery)
 Series Name : BM series
 Outdoor Unit Brand Name : BLUERIDGE
 Outdoor Unit Model Number : BMY24DIY21C
 Indoor Type : Mini-Splits (Non-Ducted)
 Indoor Model Number(s) : BMY24DIY21WM

Rated as follows in accordance with the latest edition of AHRI 210/240 - 2017 with Addendum 1, Performance Rating of Unitary Air-Conditioning & Air-Source Heat Pump Equipment and subject to rating accuracy by AHRI-sponsored, independent, third party testing:

Cooling Capacity (A2) - Single or High Stage (95F), btuh : 23000
 SEER : 20.50
 EER (A2) - Single or High Stage (95F) : 12.50
 Heating Capacity (H12) - Single or High Stage (47F) : 25000
 HSPF (Region IV) : 10.50

Rated as follows in accordance with the latest edition of AHRI 210/240 – 2023, Performance Rating of Unitary Air-Conditioning & Air-Source Heat Pump Equipment and subject to rating accuracy by AHRI-sponsored, independent, third party testing:

Cooling Capacity (A_{Full}) – Single or High Stage (95F), btuh : 23000
 SEER2 : 20.50
 EER2 (A_{Full}) – Single or High Stage (95F) : 12.50
 Heating Capacity (H1_{Full}) – Single or High Stage (47F), btuh : 25000
 HSPF2 (Region IV) : 9.20

Sold in? : USA, Canada


AHRI CERTIFIED®
 www.ahridirectory.org

†"Active" Model Status are those that an AHRI Certification Program Participant is currently producing AND selling or offering for sale; OR new models that are being marketed but are not yet being produced."Production Stopped" Model Status are those that an AHRI Certification Program Participant is no longer producing BUT is still selling or offering for sale.

Ratings that are accompanied by WAS indicate an involuntary re-rate. The new published rating is shown along with the previous (i.e. WAS) rating.

The Department of Energy has published updated energy efficiency metrics for central air conditioners and heat pumps. This publication reflects both the 1987 metric (SEER) and the 2023 metric (SEER2). Efficiency requirements are published at 10 C.F.R. 430.32(c). Please refer to www.AHRInet.org for more information about updated energy efficiency metrics.

*This refers to the federal tax credit that may be known to consumers as "Inflation Reduction Act (IRA) of 2022 Tax Credit," "25C Tax Credit," or "Energy Efficient Home Improvement Credit." This is not intended to constitute tax or legal advice. Instead, it is for general informational purposes only. AHRI makes no representation or warranty, express or implied or assumes any legal liability or responsibility for the accuracy, completeness, any third party's use of, or the results of the use of potential eligibility for tax credit disclosed on the AHRI Directory of Certified Product Performance and AHRI Certificate of Product Ratings. Potential eligibility for tax credit may not constitute the most up to date information. AHRI is unable to advise or confirm tax credit eligibility. Individuals considering eligibility for the tax credit are advised to confirm eligibility with their equipment installers, tax attorneys or preparers.

DISCLAIMER

AHRI does not endorse the product(s) listed on this Certificate and makes no representations, warranties or guarantees as to, and assumes no responsibility for, the product(s) listed on this Certificate. AHRI expressly disclaims all liability for damages of any kind arising out of the use or performance of the product(s), or the unauthorized alteration of data listed on this Certificate. Certified ratings are valid only for models and configurations listed in the directory at www.ahridirectory.org.

TERMS AND CONDITIONS

This Certificate and its contents are proprietary products of AHRI. This Certificate shall only be used for individual, personal and confidential reference purposes. The contents of this Certificate may not, in whole or in part, be reproduced; copied; disseminated; entered into a computer database; or otherwise utilized, in any form or manner or by any means, except for the user's individual, personal and confidential reference.

CERTIFICATE VERIFICATION

The information for the model cited on this certificate can be verified at www.ahridirectory.org, click on "Verify Certificate" link and enter the AHRI Certified Reference Number and the date on which the certificate was issued, which is listed above, and the Certificate No., which is listed at bottom right.

©2024 Air-Conditioning, Heating, and Refrigeration Institute



we make life better™

CERTIFICATE NO.:

133536931871902406



ENERGY STAR CERTIFIED

Heat Pumps (Mini-Split)

: BMY24DIY21C

Specifications	
ENERGY STAR Unique ID:	2449018
Outdoor Unit Brand Name:	BLUERIDGE
Series Name:	BM series
Outdoor Unit Model Number:	BMY24DIY21C
Indoor Unit Model Number:	BMY24DIY21WM
Indoor Unit Brand Name:	BLUERIDGE
SEER2 (Btu/Wh):	20.5
Product Type:	HP - Mini or Multi Split
EER2 (Btu/Wh):	12.5
HSPF2 (Btu/Wh):	9.2
Cooling Capacity (Btu/h):	23000
Heating Capacity at 47°F (Btu/h):	25000
Cold Climate:	No
Connected Capable:	No
Meets Peak Cooling Requirements:	Yes
Tax Credit Eligible:	Yes
Refrigerant with GWP:	R-410A (GWP:2088)
ENERGY STAR Most Efficient:	Yes

Captured On:
03/04/2024