



BMY3020 Specifications and Certifications



Models

| | |
|---------------|---|
| BMY3020C | 30000 BTU 21 SEER2 208/230V Minisplit Heat Pump Condenser |
| BMY3020WM | 30000 BTU 21 SEER2 208/230V Minisplit Heat Pump Air Handler |
| BMY3020 | 30000 BTU 21 SEER2 208/230V Minisplit Heat Pump System |
| BMY3020 KIT15 | 30000 BTU 21 SEER2 208/230V Minisplit Heat Pump W/ 15 Ft Installation Kit |
| BMY3020 KIT25 | 30000 BTU 21 SEER2 208/230V Minisplit Heat Pump W/ 25 Ft Installation Kit |

What's in the Box

Mini-Split System

| | |
|---------------|--|
| BM3020 | 30000 BTU 21 SEER2 208/230V Mini-Split Heat Pump Condenser |
| | 30000 BTU 21 SEER2 208/230V Mini-Split Heat Pump Air Handler |
| | Remote Controller |



Mini-Split System with Installation Kit

| | |
|-------------------------|--|
| BM3020 KIT15 | 30000 BTU 21 SEER2 208/230V Mini-Split Heat Pump Condenser |
| | 30000 BTU 21 SEER2 208/230V Mini-Split Heat Pump Air Handler |
| | 15 Foot 3/8 LL 5/8 SL Ductless Mini-Split Line Set |
| | 25 Foot Stranded Ductless Mini-Split Communication Wire |
| | 3" Wall Sleeve for SpeediChannel™ Line Set Covers |
| | 1/2 x 48 Inches, #10 Gauge Electrical Whip |
| | Nylog Blue Gasket, Flare and Thread Sealant |
| | Safety Non-Fused Electrical Disconnect |
| | 5/8in Inner Diameter Drain Hose, 20ft Length |
| | Adapter 5/16" x 1/4" for Ductless Mini-Split Systems |
| Remote controller | |



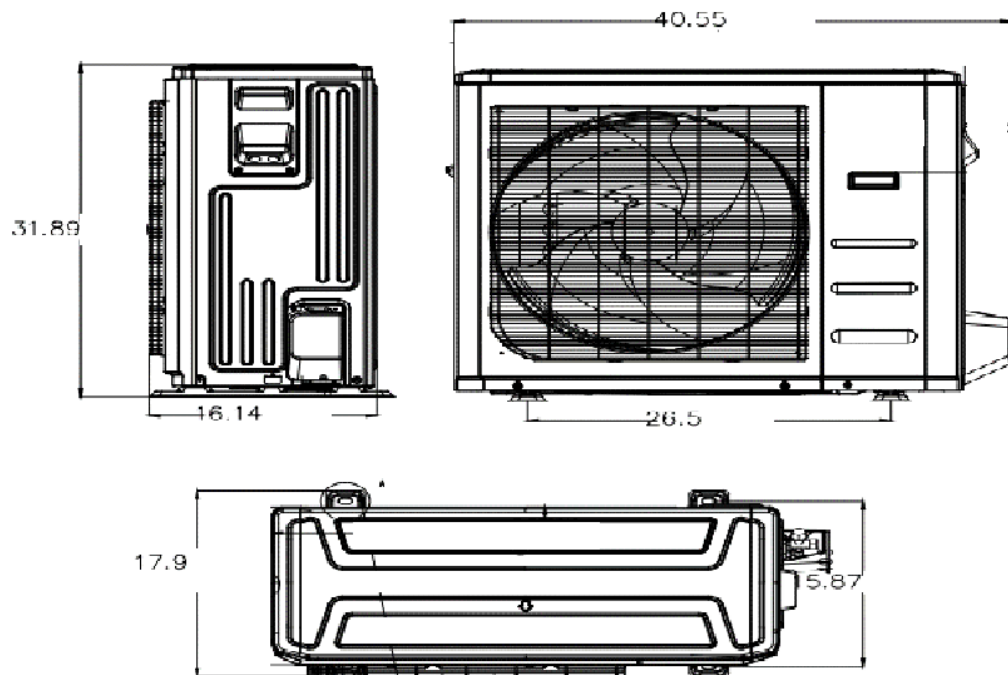
| | |
|-------------------------|--|
| BM3020 KIT25 | 30000 BTU 21 SEER2 208/230V Mini-Split Heat Pump Condenser |
| | 30000 BTU 21 SEER2 208/230V Mini-Split Heat Pump Air Handler |
| | 25 Foot 3/8 LL 5/8 SL Ductless Mini-Split Line Set |
| | 35 Foot Stranded Ductless Mini-Split Communication Wire |
| | 3" Wall Sleeve for SpeediChannel™ Line Set Covers |
| | 1/2 x 48 Inches, #10 Gauge Electrical Whip |
| | Nylog Blue Gasket, Flare and Thread Sealant |
| | Safety Non-Fused Electrical Disconnect |
| | 5/8in Inner Diameter Drain Hose, 20ft Length |
| | Adapter 5/16" x 1/4" for Ductless Mini-Split Systems |
| Remote controller | |



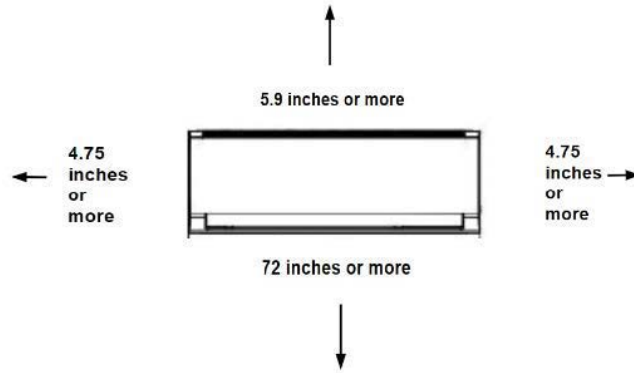
Indoor unit dimension (Inches)



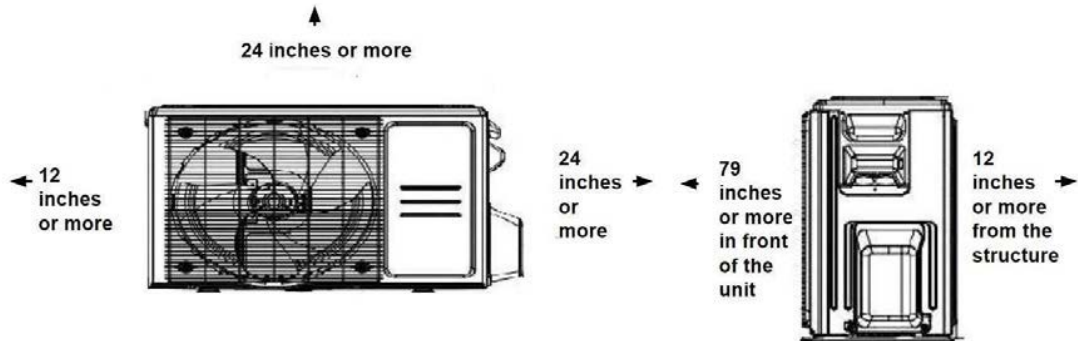
Outdoor unit dimension (Inches)



Indoor unit clearance (Inches)



Outdoor unit clearance (Inches)



COOLING PERFORMANCE DATA

| Model | Cooling | | | | | | | | | | | | | | | | |
|---|----------------------|-------|-------|-------|-------|-------|-------|-------|-------|-------|-------|-------|-------|-------|-------|-------|-------|
| | Indoor Conditions DB | DB | 5F | 17F | 25F | 35F | 47F | 55F | 65F | 75F | 80F | 85F | 95F | 105F | 110F | 115F | 122F |
| | | | | | | | | | | | | | | | | | |
| BMY3020WM BMY3020C Wall Mounted (208-230V) | 65F | TC | 25014 | 25471 | 25754 | 26236 | 26866 | 27252 | 26863 | 27157 | 27034 | 27656 | 27292 | 26164 | 25678 | 24135 | 22289 |
| | | Input | 1567 | 1597 | 1620 | 1672 | 1782 | 1981 | 2099 | 2290 | 2512 | 2875 | 3166 | 3149 | 3291 | 3457 | 3627 |
| | 70F | TC | 26442 | 26868 | 27082 | 27501 | 28191 | 28506 | 28070 | 28617 | 28308 | 29204 | 29034 | 27775 | 27230 | 25379 | 23267 |
| | | Input | 1568 | 1597 | 1623 | 1672 | 1782 | 1977 | 2091 | 2309 | 2523 | 2882 | 3169 | 3189 | 3305 | 3443 | 3563 |
| | 75F | TC | 27863 | 28432 | 28658 | 29071 | 29458 | 29756 | 29548 | 30155 | 30115 | 30548 | 30724 | 29516 | 28423 | 26970 | 24363 |
| | | Input | 1562 | 1610 | 1626 | 1695 | 1784 | 1965 | 2082 | 2324 | 2577 | 2851 | 3219 | 3193 | 3308 | 3505 | 3578 |
| | 80F | TC | 29176 | 29772 | 30103 | 30441 | 31009 | 31223 | 31434 | 31642 | 31868 | 32021 | 32205 | 31168 | 29951 | 28182 | 25672 |
| | | Input | 1567 | 1587 | 1640 | 1703 | 1792 | 1944 | 2126 | 2334 | 2569 | 2999 | 3176 | 3227 | 3298 | 3464 | 3604 |

HEATING PERFORMANCE DATA

| Model | Heating | | | | | | | | | | | | |
|---|----------------------|-------|-------|-------|-------|-------|-------|-------|-------|-------|-------|-------|-------|
| | Indoor Conditions DB | DB | 5F | 10F | 17F | 20F | 25F | 32F | 35F | 40F | 47F | 50F | 57F |
| | | | | | | | | | | | | | |
| BMY3020WM BMY3020C Wall Mounted (208-230V) | 60F | TC | 16864 | 18489 | 20935 | 22377 | 23593 | 25240 | 26691 | 30157 | 33953 | 34608 | 35685 |
| | | Input | 2615 | 2534 | 2585 | 2602 | 2628 | 2628 | 2631 | 2844 | 3006 | 3066 | 3155 |
| | 65F | TC | 16310 | 18003 | 20325 | 21641 | 22928 | 24387 | 25788 | 29336 | 33060 | 33764 | 34680 |
| | | Input | 2683 | 2599 | 2646 | 2675 | 2689 | 2687 | 2712 | 2911 | 3099 | 3144 | 3219 |
| | 70F | TC | 15804 | 17563 | 19714 | 21072 | 22325 | 23630 | 24989 | 28426 | 32004 | 32812 | 33604 |
| | | Input | 2749 | 2676 | 2723 | 2746 | 2761 | 2770 | 2791 | 2986 | 3163 | 3241 | 3319 |
| | 75F | TC | 15188 | 16791 | 18827 | 20166 | 21544 | 22638 | 24014 | 27232 | 30628 | 31368 | 32395 |
| | | Input | 2836 | 2743 | 2810 | 2837 | 2836 | 2842 | 2888 | 3088 | 3264 | 3345 | 3421 |

LEGEND

DB --- Dry Bulb (Air Temperature without considering humidity)
 TC --- Total Net Capacity 1000 Btu/hour (Actual Capacity + Dehumidifying Capacity)
 Input --- Total Power (W)

Certificate of Product Ratings

AHRI Certified Reference Number : 207339177 Date : 02-29-2024 Model Status : Active

AHRI Type : HRCU-A-CB-O (Mini-Split Heat Pump, with Remote Outdoor Unit Air-Source, Free Delivery)

Series Name : BM series

Outdoor Unit Brand Name : BLUERIDGE

Outdoor Unit Model Number : BMY3020C

Indoor Type : Mini-Splits (Non-Ducted)

Indoor Model Number(s) : BMY3020WM

Rated as follows in accordance with the latest edition of AHRI 210/240 - 2017 with Addendum 1, Performance Rating of Unitary Air-Conditioning & Air-Source Heat Pump Equipment and subject to rating accuracy by AHRI-sponsored, independent, third party testing:

Cooling Capacity (A2) - Single or High Stage (95F), btuh : 30000

SEER : 20.00

EER (A2) - Single or High Stage (95F) : 12.20

Heating Capacity (H12) - Single or High Stage (47F) : 30000

HSPF (Region IV) : 10.00

Rated as follows in accordance with the latest edition of AHRI 210/240 – 2023, Performance Rating of Unitary Air-Conditioning & Air-Source Heat Pump Equipment and subject to rating accuracy by AHRI-sponsored, independent, third party testing:

Cooling Capacity (A_{Full}) – Single or High Stage (95F), btuh : 30000

SEER2 : 21.00

EER2 (A_{Full}) – Single or High Stage (95F) : 12.20

Heating Capacity (H1_{Full}) – Single or High Stage (47F), btuh : 30000

HSPF2 (Region IV) : 8.20

Sold in? : USA, Canada

†'Active' Model Status are those that an AHRI Certification Program Participant is currently producing AND selling or offering for sale; OR new models that are being marketed but are not yet being produced. "Production Stopped" Model Status are those that an AHRI Certification Program Participant is no longer producing BUT is still selling or offering for sale.

Ratings that are accompanied by WAS indicate an involuntary re-rate. The new published rating is shown along with the previous (i.e. WAS) rating.

The Department of Energy has published updated energy efficiency metrics for central air conditioners and heat pumps. This publication reflects both the 1987 metric (SEER) and the 2023 metric (SEER2). Efficiency requirements are published at 10 C.F.R. 430.32(c). Please refer to www.AHRInet.org for more information about updated energy efficiency metrics.

DISCLAIMER

AHRI does not endorse the product(s) listed on this Certificate and makes no representations, warranties or guarantees as to, and assumes no responsibility for, the product(s) listed on this Certificate. AHRI expressly disclaims all liability for damages of any kind arising out of the use or performance of the product(s), or the unauthorized alteration of data listed on this Certificate. Certified ratings are valid only for models and configurations listed in the directory at www.ahridirectory.org.

TERMS AND CONDITIONS

This Certificate and its contents are proprietary products of AHRI. This Certificate shall only be used for individual, personal and confidential reference purposes. The contents of this Certificate may not, in whole or in part, be reproduced; copied; disseminated; entered into a computer database; or otherwise utilized, in any form or manner or by any means, except for the user's individual, personal and confidential reference.

CERTIFICATE VERIFICATION

The information for the model cited on this certificate can be verified at www.ahridirectory.org, click on "Verify Certificate" link and enter the AHRI Certified Reference Number and the date on which the certificate was issued, which is listed above, and the Certificate No., which is listed at bottom right.

©2024 Air-Conditioning, Heating, and Refrigeration Institute