



BMY3618 Submittal Sheet



Models

BMY36D18C	36000 BTU 18.3 SEER2 208/230V Minisplit Heat Pump Condenser
BMY36D18WM	36000 BTU 18.3 SEER2 208/230V Minisplit Heat Pump Air Handler
BMY3618	36000 BTU 18.3 SEER2 208/230V Minisplit Heat Pump System

What's in the Box

Mini-Split System

BMY3618	36000 BTU 18.3 SEER2 208-230V Mini-Split Heat Pump Condenser
	36000 BTU 18.3 SEER2 208-230V Mini-Split Heat Pump Air Handler
	Remote Controller



Wall Mounted Heat Pump System	
Location: _____ Engineer: _____ Submitted to: _____ Submitted by: _____ Reference: _____	Approval: _____ Date: _____ Construction: _____ Unit #: _____ Drawing #: _____

Set Model	BMY36DIY18
------------------	------------



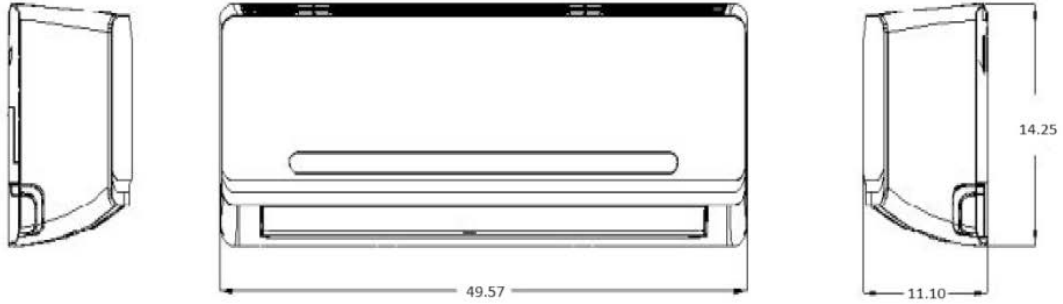
SYSTEM PERFORMANCE DATA			
Power supply			
Normal Operational Voltage	(V, Ph, Hz)	208/230V, 1Ph, 60Hz	
Electrical			
Minimum circuit ampacity(Outdoor)	(A)	28	
Max.fuse(Outdoor)	(A)	35	
Connection wiring		14#x4//	
Cooling			
Capacity	(Btu/h)	36000(9000~38000)	
Power Input	(W)	4140(350~3500)	
Current	(A)	18.4(2.2~15.6)	
SEER2	(Btu/W)	18	
EER2	(Btu/W)	8.7	
Heating			
Capacity	(Btu/h)	36000(10600~38600)	
Power Input	(W)	3750(580~3750)	
Current	(A)	16.5(4.1~16.5)	
HSPF2-4	(Btu/W)	8.0	
COP	WW	2.81	
Heat at 17F	(Btu/h)	21000	
Heat at 5F	(Btu/h)	/	
COP at 5F	WW	/	

REFRIGERANT PIPE DATA			
Throttle type	Indoor unit	N/A	
	Outdoor unit	EXV+Throttle valve	
Design pressure	(PSIG)	550/340	
Refrigerant Type		R410A	
Refrigerant charge	oz	111.11	
Refrigerant precharge	(ft)	25.0	
Additional charge for each ft	(oz/ft)	0.32	
Liquid side/ Gas side(indoor)	(inch)	3/8in/5/8in	
Liquid side/ Gas side(outdoor)	(inch)	3/8in/5/8in	
Max. pipe length	(ft)	213.25	
Max. difference in level	(ft)	98.42	
Connection method		Flared	
Remote Control Temp Range(cooling)	(Deg. F)	62 ~ 86	
Remote Control Temp Range(heating)	(Deg. F)	62 ~ 86	
Outdoor(cooling)	(Deg. F)	5~122	
Outdoor(heating)	(Deg. F)	5~86	

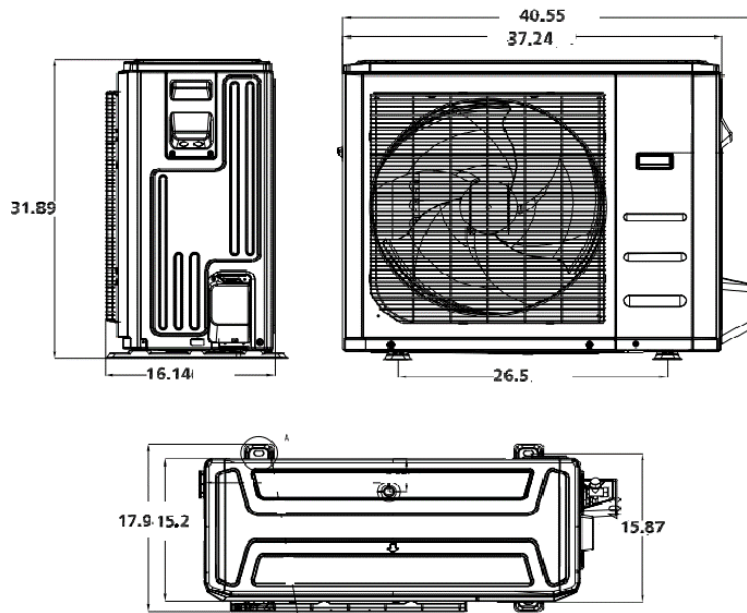
INDOOR UNIT DATA			
Indoor fan motor			
Model		ZKFP-58-8-1-5	
Qty		1	
Input	(W)	58	
Output	(W)		
RLA	(A)	0.5	
Air flow & Noise level			
Indoor air flow (Hi/Med/Lo) (No duct)	(CFM)	847.06/673.53/502.94/367.65	
Indoor noise level (Hi/Med/Lo)	[dB(A)]	52/45/34	
Dehumidification			
	(L/H)	/	
Indoor unit			
Dimension (WxDxH)	(inch)	49.57x11.10x14.25	
Packing(WxDxH)	(inch)	56.69x21.26x19.69	
Net/Gross weight	(lbs.)	47.84/78.26	

OUTDOOR UNIT DATA			
Compressor			
Type		ROTARY	
Model		KTF250D22UMT	
Brand		GMCC	
Capacity	(W)	8095	
Input	(W)	2200	
Rated current (RLA)	(A)	18	
Refrigerant oil/oil charge	(ml)	VG74/670	
Outdoor fan motor			
Model		ZKFN-120-8-2	
Qty		1	
Input	(W)	150	
Output	(W)		
RLA	(A)	0.5	
Air flow & Noise level			
Outdoor air flow (Max.)	(CFM)	2235.29	
Outdoor noise level	[dB(A)]	63	
Outdoor unit			
Dimension (WxDxH)	(inch)	37.24x16.14x31.89	
Packing (WxDxH)	(inch)	42.91x19.88x37.01	
Net/ Gross weight	(lbs.)	147.27/166.45	

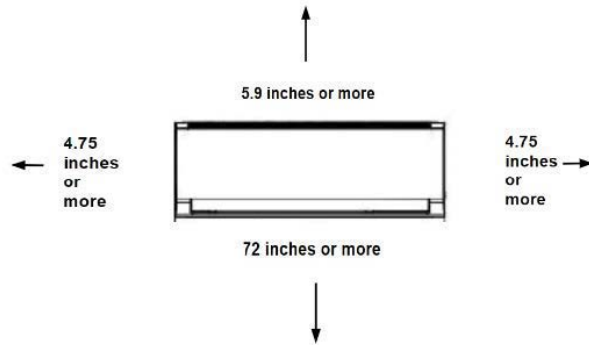
Indoor unit dimension (Inches)



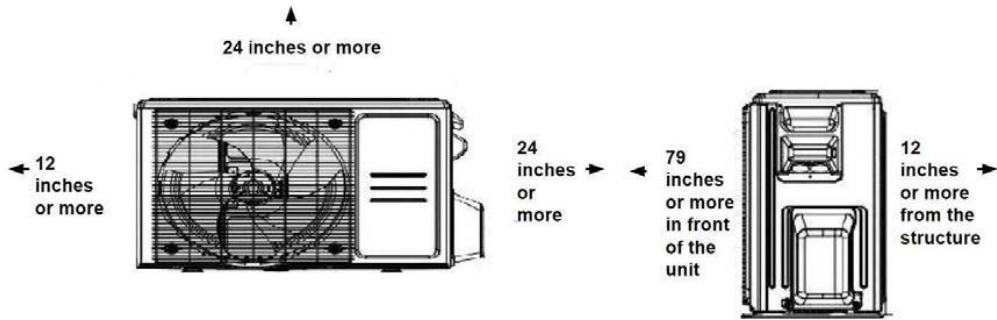
Outdoor unit dimension (Inches)



Indoor unit clearance (Inches)



Outdoor unit clearance (Inches)



COOLING PERFORMANCE DATA

Model	Cooling																
	Indoor		5F	17F	25F	35F	47F	55F	65F	75F	80F	85F	95F	105F	110F	115F	122F
	DB																
BMY36D18WM BMY36D18C	65F	TC	30905	31870	32521	33158	32991	33302	33945	33303	33830	31688	31159	29931	28879	26966	25125
		Input	2133	2179	2245	2301	2290	2395	2647	2690	2890	3467	4489	4554	4709	4953	5716
	70F	TC	32463	33548	34414	34684	34510	34726	35582	35316	35313	33426	32525	31707	30367	28687	26309
		Input	2111	2197	2259	2267	2276	2395	2617	2707	2896	3511	4451	4564	4694	5042	5657
	75F	TC	34244	35202	35998	36356	36326	36592	37181	37491	37329	35297	34491	33201	31798	30454	27694
		Input	2095	2176	2223	2274	2266	2415	2600	2759	2880	3552	4499	4564	4709	5117	5633
	80F	TC	36429	37410	37774	38110	38604	38763	38933	39093	39253	37550	36040	34656	33157	31723	29399
		Input	2116	2214	2233	2251	2310	2441	2581	2742	2905	4245	4499	4560	4621	5106	5211

HEATING PERFORMANCE DATA

Model	Heating												
	Indoor Conditions DB		5F	10F	17F	20F	25F	32F	35F	40F	47F	50F	57F
BMY36D18WM BMY36D18C	60F	TC	21281	20640	20260	21890	23291	24880	26251	33116	39197	40243	41710
		Input	3115	3090	3035	3044	3045	3039	3045	3607	4036	4010	4007
	65F	TC	20722	20137	19689	21171	22547	24132	25487	32028	38092	39261	40378
		Input	3198	3163	3126	3119	3130	3130	3136	3703	4148	4125	4097
	70F	TC	20079	19627	19209	20534	21954	23361	24673	31216	37019	38229	39240
		Input	3281	3244	3213	3196	3213	3217	3214	3802	4264	4240	4211
	75F	TC	19296	18842	18383	19692	21010	22474	23562	30061	35612	36547	37788
		Input	3376	3357	3325	3279	3322	3330	3323	3912	4379	4363	4345

LEGEND

DB --- Dry Bulb (Air Temperature without considering humidity)

TC --- Total Net Capacity 1000 Btu/hour (Actual Capacity + Dehumidifying Capacity)

Input --- Total Power (W)