



BMY36U17FCC Submittal Sheet



Models

BMY36UC	36000 BTU 19 SEER2 208/230V Minisplit Heat Pump Condenser
BM36MFCC	36000 BTU 19 SEER2 208/230V Minisplit Heat Pump Air Handler
BMY36U17FCC	36000 BTU 19 SEER2 208/230V Minisplit Heat Pump System
BMY36U17FCC KIT15	36000 BTU 19 SEER2 208/230V Minisplit Heat Pump W/ 15 Ft Installation Kit
BMY36U17FCC KIT25	36000 BTU 19 SEER2 208/230V Minisplit Heat Pump W/ 25 Ft Installation Kit

What's in the Box

Mini-Split System

BMY36U17FCC	36000 BTU 19 SEER2 208-230V Mini-Split Heat Pump Condenser
	36000 BTU 19 SEER2 208-230V Mini-Split Heat Pump Air Handler
	Remote Controller



Mini-Split System with Installation Kit

BMY36U17FCC KIT15	36000 BTU 19 SEER2 208-230V Mini-Split Heat Pump Condenser
	36000 BTU 19 SEER2 208-230V Mini-Split Heat Pump Air Handler
	15 Foot 3/8 LL 5/8 SL Ductless Mini-Split Line Set
	25 Foot Stranded Ductless Mini-Split Communication Wire
	Telescoping Wall Sleeve 3 in. x 5 in. x 7-3/4 in.
	1/2 x 48 Inches, #10 Gauge Electrical Whip
	Nylog Blue Gasket, Flare and Thread Sealant
	Safety Non-Fused Electrical Disconnect
	25 Foot 18/2 Stranded Ductless Mini-Split Wire - Shielded (300V)
	Adapter 5/16" x 1/4" for Ductless Mini-Split Systems
Remote controller	



BMY36U17FCC KIT25	36000 BTU 19 SEER2 208-230V Mini-Split Heat Pump Condenser
	36000 BTU 19 SEER2 208-230V Mini-Split Heat Pump Air Handler
	25 Foot 3/8 LL 5/8 SL Ductless Mini-Split Line Set
	35 Foot Stranded Ductless Mini-Split Communication Wire
	Telescoping Wall Sleeve 3 in. x 5 in. x 7-3/4 in.
	1/2 x 48 Inches, #10 Gauge Electrical Whip
	Nylog Blue Gasket, Flare and Thread Sealant
	Safety Non-Fused Electrical Disconnect
	35 Foot 18/2 Stranded Ductless Mini-Split Wire - Shielded (300V)
	Adapter 5/16" x 1/4" for Ductless Mini-Split Systems
Remote controller	



SUBMITTAL DATA SHEET



Ceiling&Floor Heat Pump System	
Location: _____ Engineer: _____ Submitted to: _____ Submitted by: _____ Reference: _____	Approval: _____ Date: _____ Construction: _____ Unit #: _____ Drawing #: _____

Set Model	BMY36U17FCC 15 Ft Kit Model BMY36U17FCC KIT15 25 Ft Kit Model BMY36U17FCC KIT25
Certified	AHRI CSA



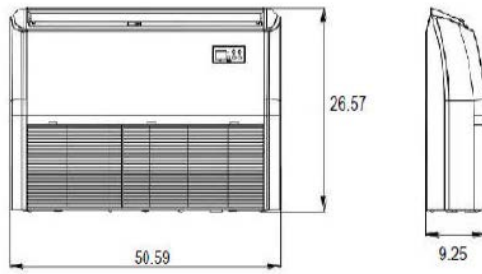
SYSTEM PERFORMANCE DATA			
Power supply			
Normal Operational Voltage	(V, Ph, Hz)	208/230V,1Ph, 60Hz	
Voltage Range	(V)	187-253	
Electrical			
Minimum circuit ampacity(Outdoor)	(A)	30.0	
Max.fuse(Outdoor)	(A)	45.0	
Connection wiring		14AWG*2 Stranded, shielded	
Cooling			
Capacity	(Btu/h)	36000(11476~36000)	
Power Input	(W)	4235(480~4390)	
Current	(A)	19.09(3.47~19.09)	
SEER2	(Btu/W)	19.0	
EER2	(Btu/W)	8.5	
Heating			
Capacity	(Btu/h)	38000(11467~38000)	
Power Input	(W)	4150(665~4150)	
Current	(A)	18.04(4.64~18.04)	
HSPF2-4	(Btu/W)	9.0	
COP	W/W	2.68	
Heat at 17F(AHRI Rating)	(Btu/h)	23000	
Heat at 5F(AHRI Rating)	(Btu/h)	22000	
COP at 5F(AHRI Rating)	W/W	1.80	

INDOOR UNIT DATA			
Indoor fan motor			
Model		ZKFN-115-8-1	
Qty		1	
Input	(W)	130.0	
Output	(W)	115.0	
RLA	(A)	1.50	
Air flow & Noise level			
Indoor air flow (Hi/Med/Lo) (No duct)	(CFM)	//1036.47/917.06/637.65	
Indoor noise level (Hi/Med/Lo)	[dB(A)]	51.5/48.0/40.5	
Dehumidification	(L/H)	4.78	
Indoor unit			
Dimension (WxDxH)	(inch)	50.59x26.57x9.25	
Packing(WxDxH)	(inch)	53.54x29.72x12.52	
Net/Gross weight	(lbs.)	69.00/81.57	

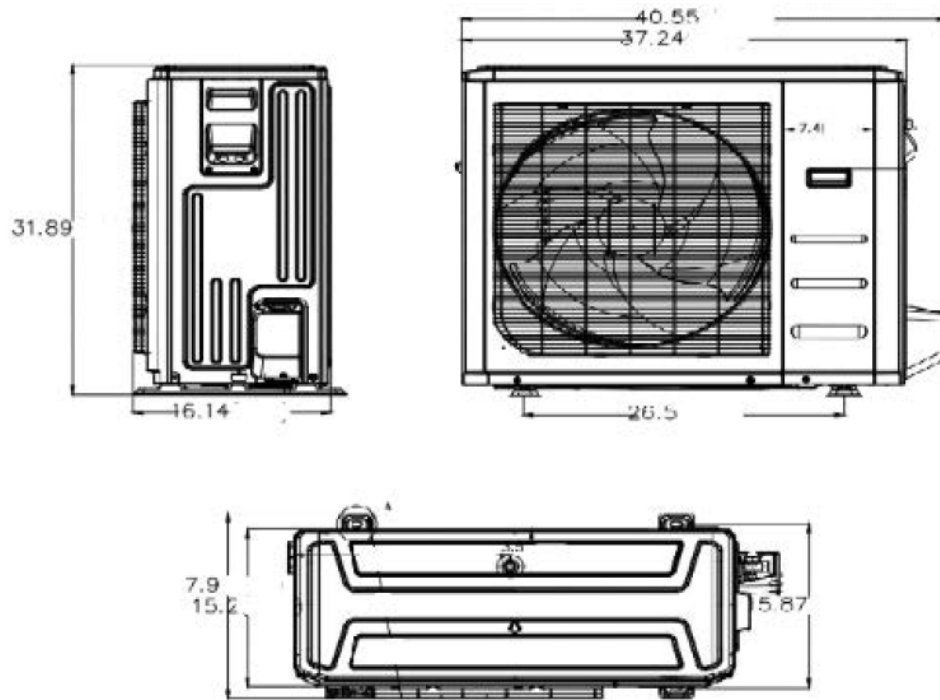
REFRIGERANT PIPE DATA			
Throttle type	Indoor unit		N/A
	Outdoor unit	EXV+Throttle valve	
Design pressure	(PSIG)	550/340	
Refrigerant Type		R410A	
Refrigerant charge	oz	113.00	
Refrigerant precharge	(ft)	25.0	
Additional charge for each ft	(oz/ft)	0.32	
Liquid side/ Gas side(indoor)	(inch)	3/8"/5/8"	
Liquid side/ Gas side(outdoor)	(inch)	3/8"/5/8"	
Max. pipe length	(ft)	213.3	
Max. difference in level	(ft)	98.4	
Connection method		Flared	
Remote Control Temp Range(cooling)	(Deg. °F)	62 ~ 86	
Remote Control Temp Range(heating)	(Deg. °F)	62 ~ 86	
Outdoor(cooling)	(Deg. °F)	5~122	
Outdoor(heating)	(Deg. °F)	5~75	

OUTDOOR UNIT DATA			
Compressor			
Type		ROTARY	
Model		KTF310D43UMT	
Brand		GMCC	
Capacity	(Btu/h)	34154	
Input	(W)	2765	
Rated current (RLA)	(A)	23.5	
Refrigerant oil/oil charge	(ml)	VG74/1000	
Outdoor fan motor			
Model		ZKFN-120-8-2	
Qty		1	
Input	(W)	150.00	
Output	(W)	120.00	
RLA	(A)	1.35	
Air flow & Noise level			
Outdoor air flow (Max.)	(CFM)	3000.0	
Outdoor noise level	[dB(A)]	65.0	
Outdoor unit			
Dimension (WxDxH)	(inch)	37.24x16.14x31.89	
Packing (WxDxH)	(inch)	42.91x19.69x34.84	
Net/ Gross weight	(lbs.)	155.42/166.23	

Indoor unit dimension (Inches)

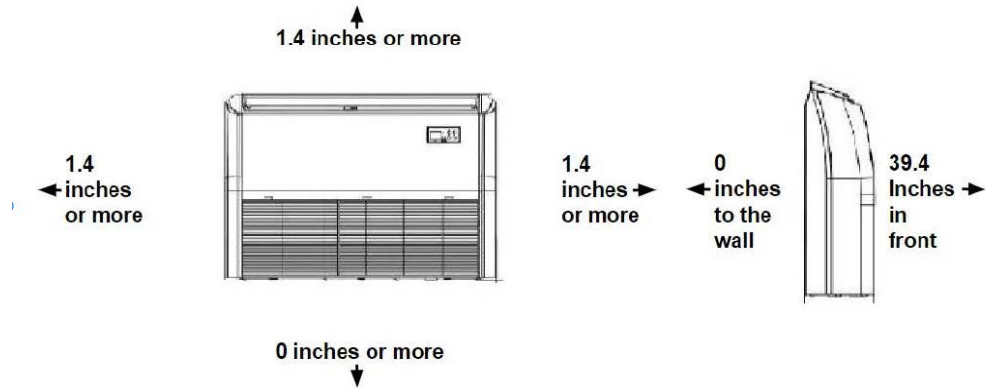


Outdoor unit dimension (Inches)

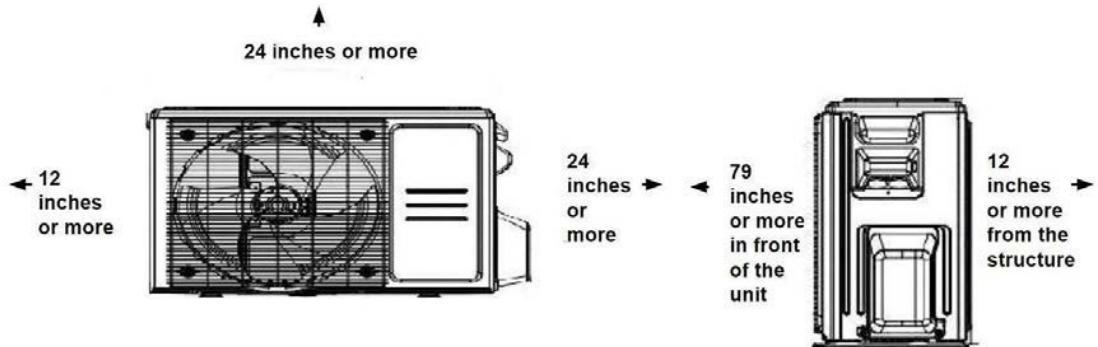


Indoor unit clearance (Inches)

Recommended Minimum Clearances



Outdoor unit clearance (Inches)



COOLING PERFORMANCE DATA

Model	Cooling																
	Indoor Conditions DB		5F	17F	25F	35F	47F	55F	65F	75F	80F	85F	95F	105F	110F	115F	122F
BM36MFCC BMY36UC	65F	TC	30863	34850	34268	33683	34041	34983	35460	36521	37036	34961	31373	26001	21502	17128	13445
		Input	2249	2550	2691	2822	3074	3207	3302	3451	3545	4081	4399	3923	3399	3188	3121
	70F	TC	32385	36918	36072	35493	36098	36785	37644	38322	39400	36570	32783	27602	22515	17935	14034
		Input	2228	2545	2665	2801	3106	3207	3295	3451	3620	4051	4344	3939	3388	3144	3088
	75F	TC	33912	38577	37890	37361	37720	38762	39459	40681	41171	38253	34618	29239	23901	19019	14650
		Input	2196	2518	2660	2819	3058	3221	3309	3484	3598	4005	4317	3981	3417	3198	3046
	80F	TC	36000	40865	40138	39493	39664	40631	41579	42509	43383	40224	36440	30908	25265	20147	15260
		Input	2196	2548	2691	2822	3087	3214	3343	3481	3621	4156	4358	3964	3450	3252	2983

HEATING PERFORMANCE DATA

Model	Heating												
	Indoor Conditions DB		5F	10F	17F	20F	25F	32F	35F	40F	47F	50F	57F
BM36MFCC BMY36UC	60F	TC	24264	25268	26625	27610	29273	30613	31837	34998	39075	39732	40751
		Input	3358	3329	3297	3313	3291	3255	3238	3454	3695	3578	3507
	65F	TC	23466	24652	25725	26937	28448	29693	30970	34078	37827	38687	39757
		Input	3434	3421	3382	3398	3368	3345	3331	3557	3775	3655	3589
	70F	TC	22894	23841	25000	26280	27486	28717	29923	33053	36583	37415	38412
		Input	3519	3495	3472	3468	3451	3435	3435	3645	3860	3733	3667
	75F	TC	21978	22912	24025	25123	26276	27625	28726	31764	34973	35919	37029
		Input	3621	3610	3583	3554	3545	3527	3541	3736	3979	3838	3788

LEGEND

DB --- Dry Bulb (Air Temperature without considering humidity)
 TC --- Total Net Capacity 1000 Btu/hour (Actual Capacity + Dehumidifying Capacity)
 Input --- Total Power (W)

Certificate of Product Ratings

AHRI Certified Reference Number : 207571384 Date : 03-01-2024 Model Status : Active

AHRI Type : HRCU-A-CB-O (Mini-Split Heat Pump, with Remote Outdoor Unit Air-Source, Free Delivery)

Outdoor Unit Brand Name : BLUERIDGE

Outdoor Unit Model Number : BMY36UC

Indoor Type : Mini-Splits (Non-Ducted)

Indoor Model Number(s) : BM36MFCC

Rated as follows in accordance with the latest edition of AHRI 210/240 - 2017 with Addendum 1, Performance Rating of Unitary Air-Conditioning & Air-Source Heat Pump Equipment and subject to rating accuracy by AHRI-sponsored, independent, third party testing:

Cooling Capacity (A2) - Single or High Stage (95F), btuh : 36000

SEER : 17.00

EER (A2) - Single or High Stage (95F) : 8.00

Heating Capacity (H12) - Single or High Stage (47F) : 38000

HSPF (Region IV) : 10.00

Rated as follows in accordance with the latest edition of AHRI 210/240 – 2023, Performance Rating of Unitary Air-Conditioning & Air-Source Heat Pump Equipment and subject to rating accuracy by AHRI-sponsored, independent, third party testing:

Cooling Capacity (A_{Full}) – Single or High Stage (95F), btuh : 36000

SEER2 : 19.00

EER2 (A_{Full}) – Single or High Stage (95F) : 8.50

Heating Capacity (H1_{Full}) – Single or High Stage (47F), btuh : 38000

HSPF2 (Region IV) : 9.00

Sold in? : USA, Canada

AHRI CERTIFIED®
www.ahrirectory.org

†'Active' Model Status are those that an AHRI Certification Program Participant is currently producing AND selling or offering for sale; OR new models that are being marketed but are not yet being produced. "Production Stopped" Model Status are those that an AHRI Certification Program Participant is no longer producing BUT is still selling or offering for sale.

Ratings that are accompanied by WAS indicate an involuntary re-rate. The new published rating is shown along with the previous (i.e. WAS) rating.

The Department of Energy has published updated energy efficiency metrics for central air conditioners and heat pumps. This publication reflects both the 1987 metric (SEER) and the 2023 metric (SEER2). Efficiency requirements are published at 10 C.F.R. 430.32(c). Please refer to www.AHRInet.org for more information about updated energy efficiency metrics.

DISCLAIMER

AHRI does not endorse the product(s) listed on this Certificate and makes no representations, warranties or guarantees as to, and assumes no responsibility for, the product(s) listed on this Certificate. AHRI expressly disclaims all liability for damages of any kind arising out of the use or performance of the product(s), or the unauthorized alteration of data listed on this Certificate. Certified ratings are valid only for models and configurations listed in the directory at www.ahrirectory.org.

TERMS AND CONDITIONS

This Certificate and its contents are proprietary products of AHRI. This Certificate shall only be used for individual, personal and confidential reference purposes. The contents of this Certificate may not, in whole or in part, be reproduced; copied; disseminated; entered into a computer database; or otherwise utilized, in any form or manner or by any means, except for the user's individual, personal and confidential reference.

CERTIFICATE VERIFICATION

The information for the model cited on this certificate can be verified at www.ahrirectory.org, click on "Verify Certificate" link and enter the AHRI Certified Reference Number and the date on which the certificate was issued, which is listed above, and the Certificate No., which is listed at bottom right.

©2024 Air-Conditioning, Heating, and Refrigeration Institute



we make life better™

CERTIFICATE NO.:

133537792524243659