



Blueridge BMY36U19CC Specifications and Certifications



Models

BMY36UC	36000 BTU 19.2 SEER2 208/230V Minisplit Heat Pump Condenser
BM36MCCG	36000 BTU 19.2 SEER2 208/230V Minisplit Heat Pump Air Handler
BMY36U19CC	36000 BTU 19.2 SEER2 208/230V Minisplit Heat Pump System
BMY36U19CC KIT15	36000 BTU 19.2 SEER2 208/230V Minisplit Heat Pump W/ 15 Ft Installation Kit
BMY36U19CC KIT25	36000 BTU 19.2 SEER2 208/230V Minisplit Heat Pump W/ 25 Ft Installation Kit

What's in the Box

Mini-Split System

BMY36U19CC

36000 BTU 19.2 SEER2 208-230V Mini-Split Heat Pump Condenser
36000 BTU 19.2 SEER2 208-230V Mini-Split Heat Pump Air Handler
Remote Controller



Mini-Split System with Installation Kit

**BMY36U19CC
KIT15**

36000 BTU 19.2 SEER2 208-230V Mini-Split Heat Pump Condenser
36000 BTU 19.2 SEER2 208-230V Mini-Split Heat Pump Air Handler
15 Foot 3/8 LL 5/8 SL Ductless Mini-Split Line Set
25 Foot Stranded Ductless Mini-Split Communication Wire
Telescoping Wall Sleeve 3 in. x 5 in. x 7-3/4 in.
1/2 x 48 Inches, #10 Gauge Electrical Whip
Nylog Blue Gasket, Flare and Thread Sealant
Safety Non-Fused Electrical Disconnect
25 Foot 18/2 Stranded Ductless Mini-Split Wire - Shielded (300V)
Adapter 5/16" x 1/4" for Ductless Mini-Split Systems
Remote Controller



**BMY36U19CC
KIT25**

36000 BTU 19.2 SEER2 208-230V Mini-Split Heat Pump Condenser
36000 BTU 19.2 SEER2 208-230V Mini-Split Heat Pump Air Handler
25 Foot 3/8 LL 5/8 SL Ductless Mini-Split Line Set
35 Foot Stranded Ductless Mini-Split Communication Wire
Telescoping Wall Sleeve 3 in. x 5 in. x 7-3/4 in.
1/2 x 48 Inches, #10 Gauge Electrical Whip
Nylog Blue Gasket, Flare and Thread Sealant
Safety Non-Fused Electrical Disconnect
35 Foot 18/2 Stranded Ductless Mini-Split Wire - Shielded (300V)
Adapter 5/16" x 1/4" for Ductless Mini-Split Systems
Remote Controller





SUBMITTAL DATA SHEET

Ceiling Cassette Heat Pump System	
Location: _____ Engineer: _____ Submitted to: _____ Submitted by: _____ Reference: _____	Approval: _____ Date: _____ Construction: _____ Unit #: _____ Drawing #: _____

Set Model	15 Ft Kit Model BMY36U19CC 25 Ft Kit Model BMY36U19CC KIT15 BMY36U19CC KIT25
Certified	<div style="display: flex; justify-content: space-around; align-items: center;"> <div style="text-align: center;"> AHRI </div> <div style="text-align: center;"> CSA </div> </div>



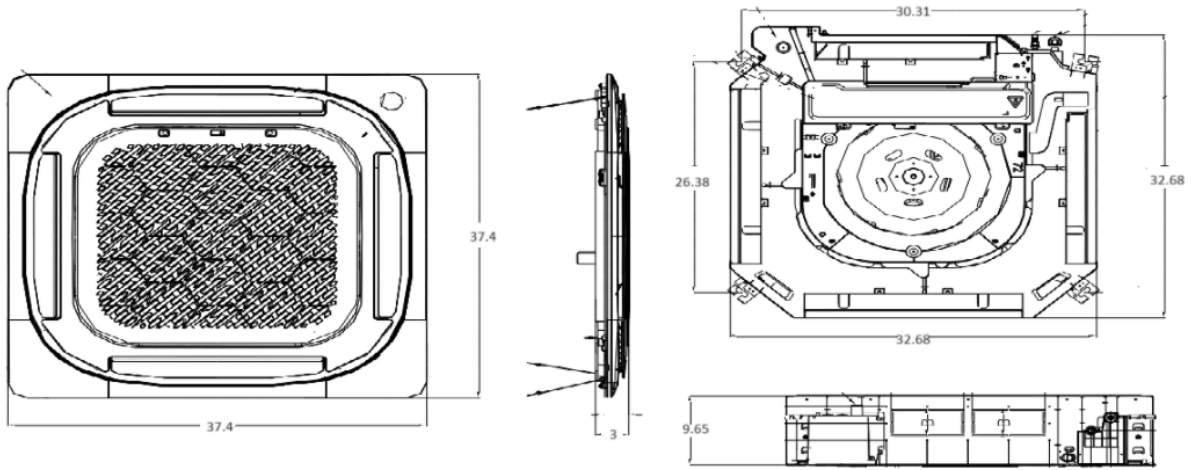
SYSTEM PERFORMANCE DATA			
Power supply			
Normal Operational Voltage	(V, Ph, Hz)	208/230V,1Ph, 60Hz	
Voltage Range	(V)	187-253	
Electrical			
Minimum circuit ampacity(Outdoor)	(A)	30.0	
Max.fuse(Outdoor)	(A)	45.0	
Connection wiring		14AWG*2 Stranded, shielded	
Cooling			
Capacity	(Btu/h)	36000(12400~36000)	
Power Input	(W)	3830(477~4000)	
Current	(A)	17.39(3.33~17.39)	
SEER / SEER2	(Btu/W)	18.2 / 19.2	
EER / EER2	(Btu/W)	9 / 9.4	
Heating			
Capacity	(Btu/h)	38000(11200~38000)	
Power Input	(W)	3500(666~3700)	
Current	(A)	15.55(3.72~16.93)	
HSPF-4 / HSPF2-4	(Btu/W)	10.6 / 8.8	
COP	W/W	3.18	
Heat at 17F(AHRI Rating)	(Btu/h)	23000	
Heat at 5F(AHRI Rating)	(Btu/h)	22000	
COP at 5F(AHRI Rating)	W/W	2.00	

INDOOR UNIT DATA			
Indoor fan motor			
Model			ZKFN-125-8-1
Qty			1
Input	(W)		157.00
Output	(W)		125.0
RLA	(A)		1.00
Air flow & Noise level			
Indoor air flow (Hi/Med/Lo) (No duct)	(CFM)		1041.18/947.06/852.94/752.94
Indoor noise level (Hi/Med/Lo)	[dB(A)]		52.5/50/46.5
Dehumidification	(L/H)		4.52
Indoor unit			
Dimension (WxDxH)	(inch)		32.68x32.68x9.65
Packing(WxDxH)	(inch)		35.83x35.83x11.42
Net/Gross weight	(lbs.)		59.97/69.00

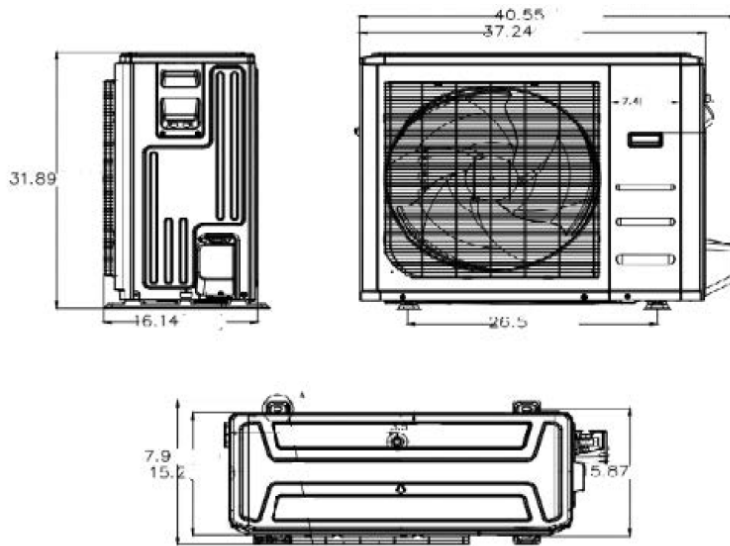
REFRIGERANT PIPE DATA			
Throttle type	Indoor unit		N/A
	Outdoor unit	EXV+Throttle valve	
Design pressure	(PSIG)		550/340
Refrigerant Type			R410A
Refrigerant charge	oz		112.88
Refrigerant precharge	(ft)		25.0
Additional charge for each ft	(oz/ft)		0.32
Liquid side/ Gas side(indoor)	(inch)		3/8" / 5/8"
Liquid side/ Gas side(outdoor)	(inch)		3/8" / 5/8"
Max. pipe length	(ft)		213.3
Max. difference in level	(ft)		98.4
Connection method			Flared
Remote Control Temp Range(cooling)	(Deg. F)		62 ~ 86
Remote Control Temp Range(heating)	(Deg. F)		62 ~ 86
Outdoor(cooling)	(Deg. F)		5~122
Outdoor(heating)	(Deg. F)		5~75

OUTDOOR UNIT DATA			
Compressor			
Type			ROTARY
Model			KTF310D43UMT
Brand			GMCC
Capacity	(Btu/h)		34154
Input	(W)		2765
Rated current (RLA)	(A)		23.5
Refrigerant oil/oil charge	(ml)		VG74/1000
Outdoor fan motor			
Model			ZKFN-120-8-2
Qty			1
Input	(W)		150.00
Output	(W)		120.00
RLA	(A)		1.35
Air flow & Noise level			
Outdoor air flow (Max.)	(CFM)		3000.0
Outdoor noise level	[dB(A)]		63.5
Outdoor unit			
Dimension (WxDxH)	(inch)		37.24x16.14x31.89
Packing (WxDxH)	(inch)		42.91x19.69x34.84
Net/ Gross weight	(lbs.)		155.42/166.23

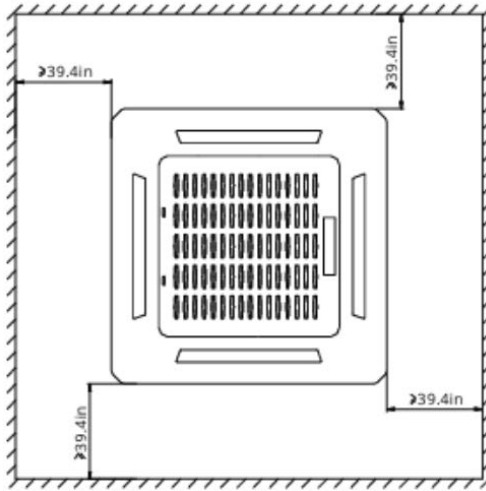
Indoor Unit Dimension (Inches)



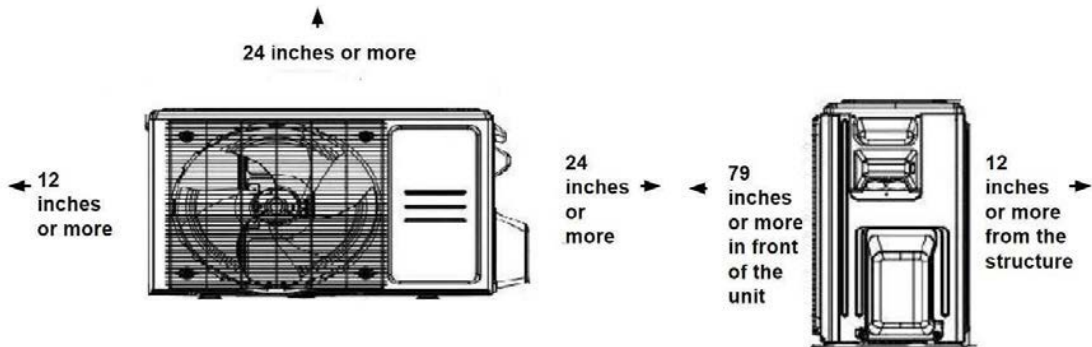
Outdoor Unit Dimension (Inches)



Indoor Unit Clearance (Inches)



Outdoor Unit Clearance (Inches)



COOLING PERFORMANCE DATA

Model	Cooling		Outdoor conditions (DB)																	
	Indoor Conditions DB		-13F	-4F	0F	5F	17F	25F	35F	47F	55F	65F	75F	80F	85F	95F	105F	110F	115F	122F
BM36MCC BMY36UC (208-230V)	65F	TC	32681	34295	34784	35541	36997	36223	35189	35301	35759	38047	37420	38874	35371	31117	29065	27827	26359	23507
		Input	1.82	2.00	2.11	2.28	2.67	2.74	2.77	3.03	3.17	3.38	3.42	3.59	3.77	3.99	3.90	3.92	3.99	4.01
	70F	TC	34656	36253	36499	37176	38659	38291	37119	37515	38001	39715	39060	40578	36922	32858	30855	29572	27717	24770
		Input	1.83	2.01	2.12	2.24	2.64	2.78	2.80	3.08	3.23	3.35	3.40	3.58	3.76	3.99	3.89	3.89	3.94	4.01
	75F	TC	36596	38041	38542	39424	41127	39928	39446	39909	40384	41413	41465	42313	38702	34845	32754	31096	29145	26184
		Input	1.82	2.02	2.13	2.26	2.66	2.75	2.86	3.12	3.23	3.33	3.39	3.52	3.78	4.03	3.96	3.93	3.97	4.00
	80F	TC	38441	40043	40656	41281	42885	42431	41919	41616	42420	43274	44112	44966	40739	36679	34771	33011	30679	27592
		Input	1.83	2.03	2.13	2.26	2.66	2.76	2.89	3.12	3.22	3.32	3.43	3.53	3.89	4.04	4.00	3.96	4.01	4.01

HEATING PERFORMANCE DATA

Model	Heating		Outdoor conditions (DB)													
	Indoor Conditions DB		-13F	-4F	0F	5F	10F	17F	20F	25F	32F	35F	40F	47F	50F	57F
BM36MCC BMY36UC (208-230V)	60F	TC	19815	21995	23266	24165	25035	26199	27615	29493	31156	32611	36992	42110	43352	43915
		Input	3.49	3.31	3.21	3.13	3.05	3.00	3.01	3.07	3.12	3.17	3.19	3.32	3.20	3.12
	65F	TC	19294	21459	22545	23347	24353	25386	26916	28551	30278	31692	35810	40843	42089	42802
		Input	3.56	3.38	3.30	3.23	3.14	3.06	3.10	3.15	3.20	3.24	3.28	3.39	3.29	3.21
	70F	TC	18823	20915	21824	22734	23689	24767	26259	27828	29396	30919	34937	39654	40744	41636
		Input	3.66	3.48	3.40	3.32	3.22	3.14	3.19	3.25	3.29	3.32	3.38	3.46	3.38	3.29
	75F	TC	18165	19995	20995	21733	22718	23826	25104	26715	28074	29837	33679	38068	39074	40096
		Input	3.78	3.59	3.49	3.44	3.31	3.22	3.29	3.34	3.40	3.41	3.48	3.58	3.48	3.41

LEGEND
 DB --- Dry Bulb
 TC --- Total Net Capacity
 Input --- Total Power (kW)

Certificate of Product Ratings

AHRI Certified Reference Number : 215359207 Date : 10-15-2024 Model Status : Active

AHRI Type : HRCU-A-CB-O (Mini-Split Heat Pump, with Remote Outdoor Unit Air-Source, Free Delivery)

Outdoor Unit Brand Name : BLUERIDGE

Outdoor Unit Model Number : BMY36UC

Indoor Type : Mini-Splits (Non-Ducted)

Indoor Model Number(s) : BM36MCC

Rated as follows in accordance with the latest edition of AHRI 210/240 - 2017 with Addendum 1, Performance Rating of Unitary Air-Conditioning & Air-Source Heat Pump Equipment and subject to rating accuracy by AHRI-sponsored, independent, third party testing:

Cooling Capacity (A2) - Single or High Stage (95F), btuh : 36000

SEER : 18.20

EER (A2) - Single or High Stage (95F) : 9.00

Heating Capacity (H12) - Single or High Stage (47F) : 38000

HSPF (Region IV) : 10.60

Rated as follows in accordance with the latest edition of AHRI 210/240 – 2024, Performance Rating of Unitary Air-Conditioning & Air-Source Heat Pump Equipment and subject to rating accuracy by AHRI-sponsored, independent, third party testing:

Cooling Capacity (A_{Full}) – Single or High Stage (95F), btuh : 36000

SEER2 : 19.20

EER2 (A_{Full}) – Single or High Stage (95F) : 9.40

Heating Capacity (H1_{Full}) – Single or High Stage (47F), btuh : 38000

HSPF2 (Region IV) : 8.80

Sold in? : USA, Canada

AHRI CERTIFIED[®]
www.ahridirectory.org

†'Active' Model Status are those that an AHRI Certification Program Participant is currently producing AND selling or offering for sale; OR new models that are being marketed but are not yet being produced. "Production Stopped" Model Status are those that an AHRI Certification Program Participant is no longer producing BUT is still selling or offering for sale.

Ratings that are accompanied by WAS indicate an involuntary re-rate. The new published rating is shown along with the previous (i.e. WAS) rating.

The Department of Energy has published updated energy efficiency metrics for central air conditioners and heat pumps. This publication reflects both the 1987 metric (SEER) and the 2023 metric (SEER2). Efficiency requirements are published at 10 C.F.R. 430.32(c). Please refer to www.AHRInet.org for more information about updated energy efficiency metrics.

DISCLAIMER

AHRI does not endorse the product(s) listed on this Certificate and makes no representations, warranties or guarantees as to, and assumes no responsibility for, the product(s) listed on this Certificate. AHRI expressly disclaims all liability for damages of any kind arising out of the use or performance of the product(s), or the unauthorized alteration of data listed on this Certificate. Certified ratings are valid only for models and configurations listed in the directory at www.ahridirectory.org.

TERMS AND CONDITIONS

This Certificate and its contents are proprietary products of AHRI. This Certificate shall only be used for individual, personal and confidential reference purposes. The contents of this Certificate may not, in whole or in part, be reproduced; copied; disseminated; entered into a computer database; or otherwise utilized, in any form or manner or by any means, except for the user's individual, personal and confidential reference.

CERTIFICATE VERIFICATION

The information for the model cited on this certificate can be verified at www.ahridirectory.org, click on "Verify Certificate" link and enter the AHRI Certified Reference Number and the date on which the certificate was issued, which is listed above, and the Certificate No., which is listed at bottom right.

©2024 Air-Conditioning, Heating, and Refrigeration Institute



we make life better™

CERTIFICATE NO.:

133734709693024046