



BMY36UHH19CC Specifications and Certification



Models

BMY36HHUC	36000 BTU 19.4 SEER2 208/230V Minisplit Heat Pump Condenser
BM36MCCG	36000 BTU 19.4 SEER2 208/230V Minisplit Heat Pump Air Handler
BMY36UHH19CC	36000 BTU 19.4 SEER2 208/230V Minisplit Heat Pump System
BMY36UHH19CC KIT15	36000 BTU 19.4 SEER2 208/230V Minisplit Heat Pump W/ 15 Ft Installation Kit
BMY36UHH19CC KIT25	36000 BTU 19.4 SEER2 208/230V Minisplit Heat Pump W/ 25 Ft Installation Kit

What's in the Box

Mini-Split System

BMY36UHH19CC

36000 BTU 19.4 SEER2 208-230V Mini-Split Heat Pump Condenser
36000 BTU 19.4 SEER2 208-230V Mini-Split Heat Pump Air Handler
Remote Controller



Mini-Split System with Installation Kit

**BMY36UHH19CC
KIT15**

36000 BTU 19.4 SEER2 208-230V Mini-Split Heat Pump Condenser
36000 BTU 19.4 SEER2 208-230V Mini-Split Heat Pump Air Handler
15 Foot 3/8 LL 5/8 SL Ductless Mini-Split Line Set
25 Foot Stranded Ductless Mini-Split Communication Wire
Telescoping Wall Sleeve 3 in. x 5 in. x 7-3/4 in.
1/2 x 48 Inches, #10 Gauge Electrical Whip
Nylog Blue Gasket, Flare and Thread Sealant
Safety Non-Fused Electrical Disconnect
25 Foot 18/2 Stranded Ductless Mini-Split Wire - Shielded (300V)
Adapter 5/16" x 1/4" for Ductless Mini-Split Systems
Remote Controller



**BMY36UHH19CC
KIT25**

36000 BTU 19.4 SEER2 208-230V Mini-Split Heat Pump Condenser
36000 BTU 19.4 SEER2 208-230V Mini-Split Heat Pump Air Handler
25 Foot 3/8 LL 5/8 SL Ductless Mini-Split Line Set
35 Foot Stranded Ductless Mini-Split Communication Wire
Telescoping Wall Sleeve 3 in. x 5 in. x 7-3/4 in.
1/2 x 48 Inches, #10 Gauge Electrical Whip
Nylog Blue Gasket, Flare and Thread Sealant
Safety Non-Fused Electrical Disconnect
35 Foot 18/2 Stranded Ductless Mini-Split Wire - Shielded (300V)
Adapter 5/16" x 1/4" for Ductless Mini-Split Systems
Remote Controller





SUBMITTAL DATA SHEET

One Way Cassette Heat Pump System	
Location: _____ Engineer: _____ Submitted to: _____ Submitted by: _____ Reference: _____	Approval: _____ Date: _____ Construction: _____ Unit #: _____ Drawing #: _____

Set Model	BMY36UHH19CC 15 Ft Kit Model BMY36UHH19CC KIT15 25 Ft Kit Model BMY36UHH19CC KIT25
Certified	



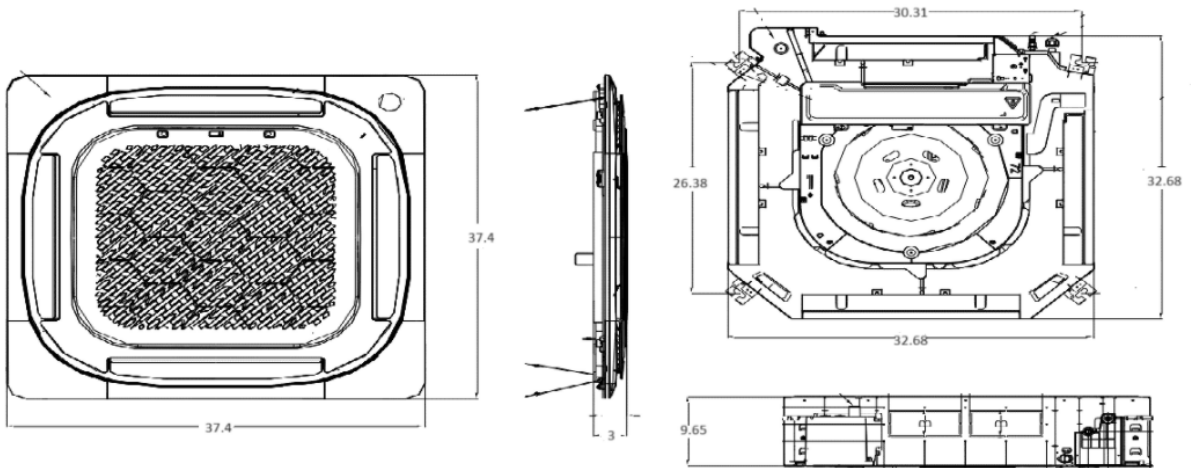
SYSTEM PERFORMANCE DATA			
Power supply			
Normal Operational Voltage	(V, Ph, Hz)	208/230V, 1Ph, 60Hz	
Voltage Range	(V)	187-253	
Electrical			
Minimum circuit ampacity(Outdoor)	(A)	40.0	
Max.fuse(Outdoor)	(A)	50.0	
Connection wiring		14AWG*2 Stranded, shielded	
Cooling			
Capacity	(Btu/h)	36000(13700~39300)	
Power Input	(W)	4000(1100~4400)	
Current	(A)	17.6(5.5~19.5)	
SEER / SEER2	(Btu/W)	19 / 19.4	
EER / EER2	(Btu/W)	9.5 / 9.5	
Heating			
Capacity	(Btu/h)	40000(17600~50000)	
Power Input	(W)	3850(2150~4750)	
Current	(A)	17.1(10~20.9)	
HSPF-4 / HSPF2-4	(Btu/W)	10.3 / 10.5	
COP	W/W	3.05	
Heat at 17F(AHRI Rating)	(Btu/h)	33000	
Heat at 5F(AHRI Rating)	(Btu/h)	40000	
COP at 5F(AHRI Rating)	W/W	1.85	

INDOOR UNIT DATA			
Indoor fan motor			
Model			ZKFN-125-8-1
Qty			1
Input	(W)		157.00
Output	(W)		125.0
RLA	(A)		1.00
Air flow & Noise level			
Indoor air flow (Turbo/Hi/Med/Lo)	(CFM)	1041.18/947.06/852.94/752.94	
Indoor noise level (Hi/Med/Lo)	[dB(A)]	52.5/50/46.5	
Dehumidification	(L/H)	4.54	
Indoor unit			
Dimension (WxDxH)	(inch)	32.68x32.68x9.65	
Packing(WxDxH)	(inch)	35.83x35.83x11.42	
Net/Gross weight	(lbs.)	59.97/69.00	

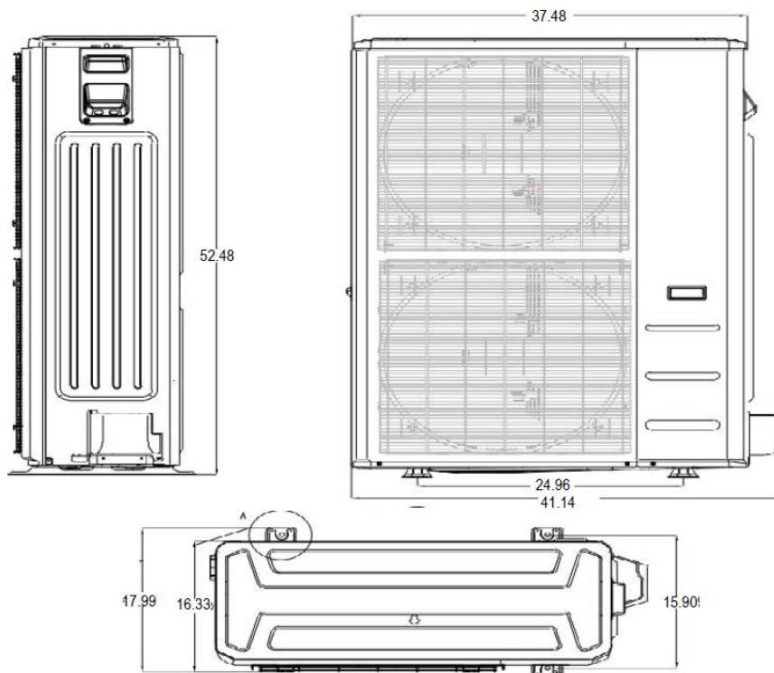
REFRIGERANT PIPE DATA			
Throttle type	Indoor unit		N/A
	Outdoor unit		EXV+Throttle valve
Design pressure	(PSIG)		550/340
Refrigerant Type			R410A
Refrigerant charge	oz		148.40
Refrigerant precharge	(ft)		25.0
Additional charge for each ft	(oz/ft)		0.32
Liquid side/ Gas side(indoor)	(inch)		3/8" / 5/8"
Liquid side/ Gas side(outdoor)	(inch)		3/8" / 5/8"
Max. pipe length	(ft)		213.3
Max. difference in level	(ft)		98.4
Connection method			Flared
Indoor(cooling)	(Deg. °F)		60~90
Indoor(heating)	(Deg. °F)		32~86
Outdoor(cooling)	(Deg. °F)		5~122
Outdoor(heating)	(Deg. °F)		-22~75

OUTDOOR UNIT DATA			
Compressor			
Type			ROTARY
Model			EAPQ420D1UMUA
Brand			GMCC
Capacity	(Btu/h)		44015
Input	(W)		3565
Rated current (RLA)	(A)		32.0
Refrigerant oil/oil charge	(ml)		1460±15mlESTER OIL VG74
Outdoor fan motor			
Model			ZKFN-85-8-22-5
Qty			2
Input	(W)		126.00
Output	(W)		85.00
RLA	(A)		1.20
Air flow & Noise level			
Outdoor air flow (Max.)	(CFM)		4500.0
Outdoor noise level	[dB(A)]		63.5
Outdoor unit			
Dimension (WxDxH)	(inch)		37.48x16.34x52.48
Packing (WxDxH)	(inch)		43.11x19.49x58.27
Net/ Gross weight	(lbs.)		220.24/248.02

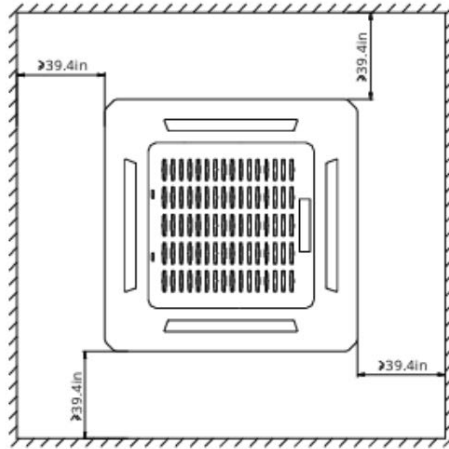
Indoor Unit Dimension (Inches)



Outdoor Unit Dimension (Inches)

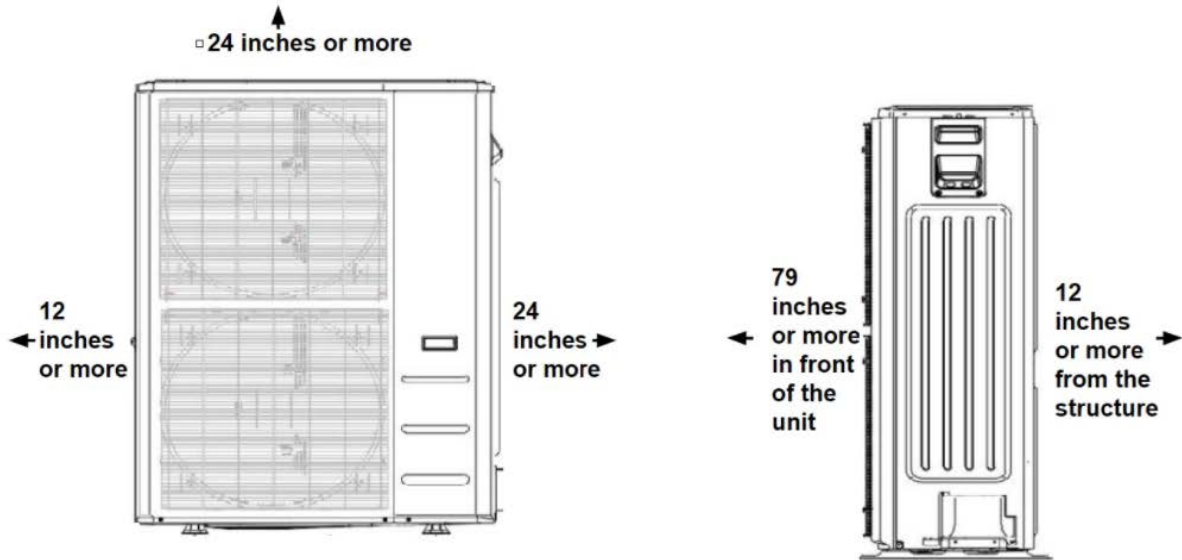


Indoor Unit Clearance (Inches)



Outdoor Unit Clearance (Inches)

Recommended Clearances



COOLING PERFORMANCE DATA

Model	Cooling		Outdoor conditions (DB)																		
	Indoor Conditions DB		-22F	-13F	-4F	0F	5F	17F	25F	35F	47F	55F	65F	75F	80F	85F	95F	105F	110F	115F	122F
			TC	Input	TC	Input	TC	Input	TC	Input	TC	Input	TC	Input	TC	Input	TC	Input	TC	Input	TC
BM36MCC BMY36HHUC (208-230V)	65F	TC	29455	32105	32538	33720	34258	35995	35635	37323	37567	36423	36647	37174	36355	35719	33968	32102	30864	28506	25275
		Input	1.69	1.99	2.13	2.31	2.38	2.54	2.66	3.00	3.06	3.25	3.55	3.89	4.14	4.34	4.48	4.39	4.48	4.49	4.52
	70F	TC	31302	33723	34541	35384	35798	37810	37830	39164	39133	38666	38698	38844	38268	37285	35458	33615	32184	29912	26355
		Input	1.70	1.99	2.13	2.30	2.36	2.55	2.70	2.96	3.06	3.29	3.54	3.88	4.13	4.30	4.45	4.40	4.39	4.43	4.49
	75F	TC	33194	35498	36668	37246	37961	40096	40244	40881	40891	40277	40480	41105	40668	39289	37051	35162	33700	31519	27948
		Input	1.71	1.97	2.16	2.30	2.39	2.59	2.74	2.91	3.02	3.22	3.53	3.88	4.17	4.27	4.38	4.35	4.34	4.46	4.53
	80F	TC	34904	37132	38679	39247	39876	42117	42632	43260	42684	42802	42926	43042	43172	41140	39374	37248	35437	33005	29419
		Input	1.70	1.95	2.17	2.29	2.41	2.61	2.74	2.92	3.02	3.26	3.53	3.86	4.18	4.23	4.43	4.38	4.34	4.45	4.52

HEATING PERFORMANCE DATA

Model	Heating		Outdoor conditions (DB)														
	Indoor Conditions DB		-22F	-13F	-4F	0F	5F	10F	17F	20F	25F	32F	35F	40F	47F	50F	57F
			TC	Input	TC	Input	TC	Input	TC	Input	TC	Input	TC	Input	TC	Input	TC
BM36MCC BMY36HHUC (208-230V)	60F	TC	28213	33289	36736	38510	40087	43147	46513	47565	49535	50802	51888	51380	51720	52910	54623
		Input	5.85	6.08	5.71	5.60	5.51	5.64	5.87	5.84	5.87	5.87	5.85	5.17	4.52	4.37	4.26
	65F	TC	27364	32288	35701	37352	38995	41728	45334	46405	47952	49131	50623	50127	50213	51469	52981
		Input	6.01	6.24	5.88	5.72	5.63	5.76	6.00	5.99	6.03	6.02	6.01	5.28	4.64	4.50	4.39
	70F	TC	26645	31347	34830	36405	37859	40552	43844	45097	46375	47654	48958	48904	48846	50116	51288
		Input	6.17	6.36	6.06	5.89	5.77	5.94	6.16	6.16	6.17	6.18	6.19	5.42	4.74	4.64	4.50
	75F	TC	25473	29968	33472	35022	36231	39092	42178	43383	44428	45748	46902	46801	46745	48011	49031
		Input	6.35	6.55	6.24	6.05	5.96	6.10	6.32	6.36	6.35	6.36	6.39	5.57	4.90	4.80	4.63

LEGEND

DB --- Dry Bulb
 TC --- Total Net Capacity
 Input --- Total Power (kW)



Certificate of Product Ratings

AHRI Certified Reference Number : 215359208 Date : 10-15-2024 Model Status : Active
 AHRI Type : HRCU-A-CB-O (Mini-Split Heat Pump, with Remote Outdoor Unit Air-Source, Free Delivery)
 Series Name : BM Series
 Outdoor Unit Brand Name : BLUERIDGE
 Outdoor Unit Model Number : BMY36HHUC
 Indoor Type : Mini-Splits (Non-Ducted)
 Indoor Model Number(s) : BM36MCC

Rated as follows in accordance with the latest edition of AHRI 210/240 - 2017 with Addendum 1, Performance Rating of Unitary Air-Conditioning & Air-Source Heat Pump Equipment and subject to rating accuracy by AHRI-sponsored, independent, third party testing:

Cooling Capacity (A2) - Single or High Stage (95F), btuh : 36000
 SEER : 19.00
 EER (A2) - Single or High Stage (95F) : 9.50
 Heating Capacity (H12) - Single or High Stage (47F) : 39000
 HSPF (Region IV) : 10.30

Rated as follows in accordance with the latest edition of AHRI 210/240 – 2024, Performance Rating of Unitary Air-Conditioning & Air-Source Heat Pump Equipment and subject to rating accuracy by AHRI-sponsored, independent, third party testing:

Cooling Capacity (A_{Full}) – Single or High Stage (95F), btuh : 36000
 SEER2 : 19.40
 EER2 (A_{Full}) – Single or High Stage (95F) : 9.50
 Heating Capacity (H1_{Full}) – Single or High Stage (47F), btuh : 40000
 HSPF2 (Region IV) : 10.50

Sold in? : USA, Canada

AHRI CERTIFIED®
 www.ahridirectory.org

†"Active" Model Status are those that an AHRI Certification Program Participant is currently producing AND selling or offering for sale; OR new models that are being marketed but are not yet being produced."Production Stopped" Model Status are those that an AHRI Certification Program Participant is no longer producing BUT is still selling or offering for sale.

Ratings that are accompanied by WAS indicate an involuntary re-rate. The new published rating is shown along with the previous (i.e. WAS) rating.

The Department of Energy has published updated energy efficiency metrics for central air conditioners and heat pumps. This publication reflects both the 1987 metric (SEER) and the 2023 metric (SEER2). Efficiency requirements are published at 10 C.F.R. 430.32(c). Please refer to www.AHRInet.org for more information about updated energy efficiency metrics.

*This refers to the federal tax credit that may be known to consumers as "Inflation Reduction Act (IRA) of 2022 Tax Credit," "25C Tax Credit," or "Energy Efficient Home Improvement Credit." This is not intended to constitute tax or legal advice. Instead, it is for general informational purposes only. AHRI makes no representation or warranty, express or implied or assumes any legal liability or responsibility for the accuracy, completeness, any third party's use of, or the results of the use of potential eligibility for tax credit disclosed on the AHRI Directory of Certified Product Performance and AHRI Certificate of Product Ratings. Potential eligibility for tax credit may not constitute the most up to date information. AHRI is unable to advise or confirm tax credit eligibility. Individuals considering eligibility for the tax credit are advised to confirm eligibility with their equipment installers, tax attorneys or preparers.

DISCLAIMER

AHRI does not endorse the product(s) listed on this Certificate and makes no representations, warranties or guarantees as to, and assumes no responsibility for, the product(s) listed on this Certificate. AHRI expressly disclaims all liability for damages of any kind arising out of the use or performance of the product(s), or the unauthorized alteration of data listed on this Certificate. Certified ratings are valid only for models and configurations listed in the directory at www.ahridirectory.org.

TERMS AND CONDITIONS

This Certificate and its contents are proprietary products of AHRI. This Certificate shall only be used for individual, personal and confidential reference purposes. The contents of this Certificate may not, in whole or in part, be reproduced; copied; disseminated; entered into a computer database; or otherwise utilized, in any form or manner or by any means, except for the user's individual, personal and confidential reference.

CERTIFICATE VERIFICATION

The information for the model cited on this certificate can be verified at www.ahridirectory.org, click on "Verify Certificate" link and enter the AHRI Certified Reference Number and the date on which the certificate was issued, which is listed above, and the Certificate No., which is listed at bottom right.

©2024 Air-Conditioning, Heating, and Refrigeration Institute



we make life better™

CERTIFICATE NO.:

133734710951985041