



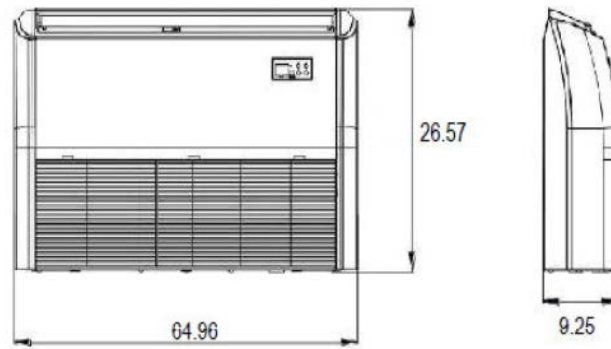
BMY48U18FCC Submittal Sheet



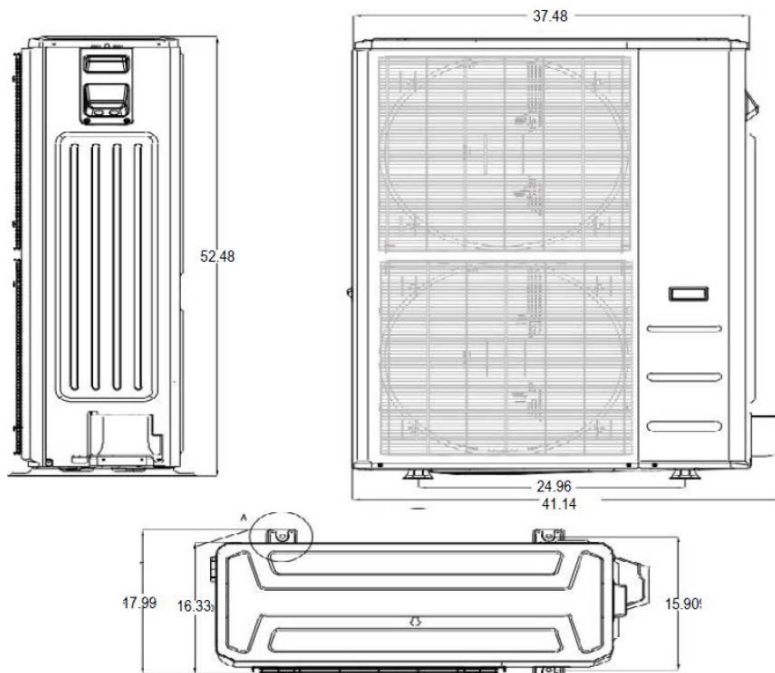
Models

| | |
|-------------------|---|
| BMY48UC | 48000 BTU 18.9 SEER2 208/230V Minisplit Heat Pump Condenser |
| BM48MFCC | 48000 BTU 18.9 SEER2 208/230V Minisplit Heat Pump Air Handler |
| BMY48U18FCC | 48000 BTU 18.9 SEER2 208/230V Minisplit Heat Pump System |
| BMY48U18FCC KIT15 | 48000 BTU 18.9 SEER2 208/230V Minisplit Heat Pump W/ 15 Ft Installation Kit |
| BMY48U18FCC KIT25 | 48000 BTU 18.9 SEER2 208/230V Minisplit Heat Pump W/ 25 Ft Installation Kit |

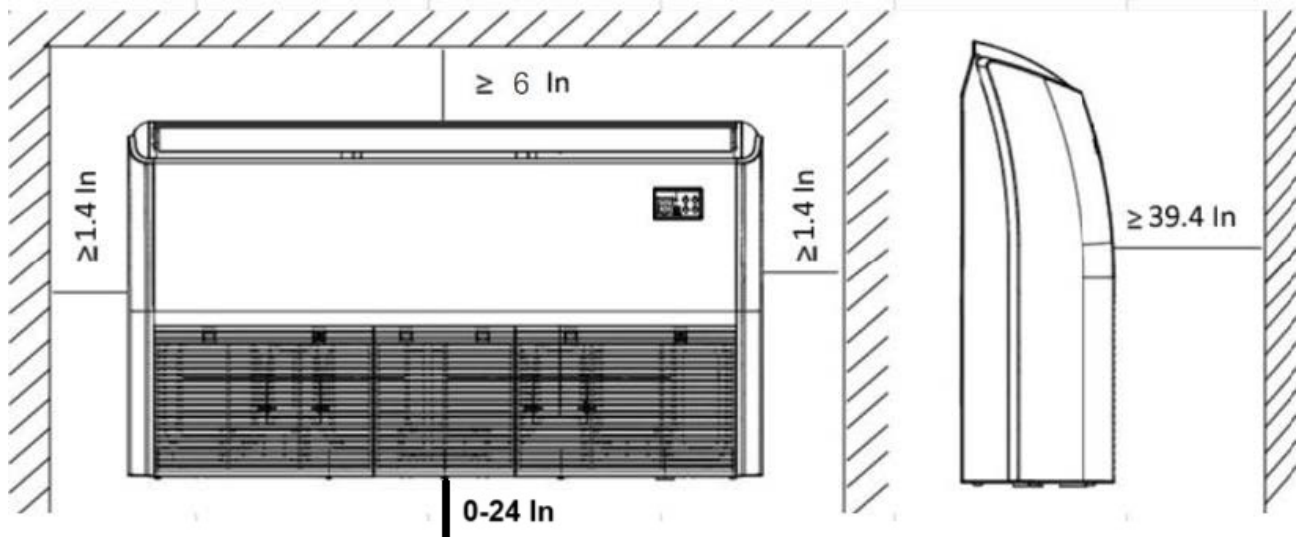
Indoor unit dimension (Inches)



Outdoor unit dimension (Inches)

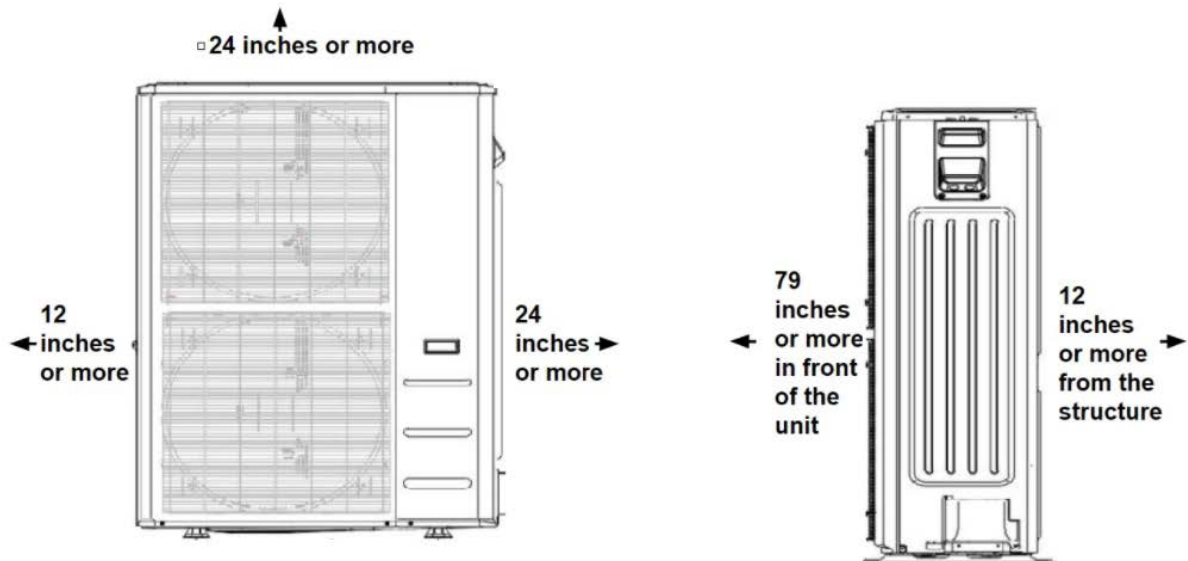


Indoor unit clearance (Inches)



Outdoor unit clearance (Inches)

Recommended Clearances



COOLING PERFORMANCE DATA

| Model | Cooling | | | | | | | | | | | | | | | | | |
|---------------------|----------------------|-------|-------|-------|-------|-------|-------|-------|-------|-------|-------|-------|-------|-------|-------|-------|-------|--|
| | Indoor Conditions DB | | 5F | 17F | 25F | 35F | 47F | 55F | 65F | 75F | 80F | 85F | 95F | 105F | 110F | 115F | 122F | |
| | | | | | | | | | | | | | | | | | | |
| BM48MFCC BMY48UC | 65F | TC | 41153 | 46900 | 46419 | 48224 | 49555 | 50481 | 50585 | 50943 | 50859 | 46935 | 42147 | 33959 | 28480 | 22219 | 17608 | |
| | | Input | 2551 | 3145 | 3172 | 3324 | 3750 | 3989 | 4233 | 4557 | 4745 | 5205 | 5521 | 4412 | 3713 | 3141 | 2798 | |
| | 70F | TC | 43319 | 48956 | 49225 | 50444 | 52054 | 53590 | 53247 | 53176 | 53423 | 49458 | 44459 | 35974 | 30011 | 23537 | 18457 | |
| | | Input | 2562 | 3089 | 3168 | 3279 | 3710 | 4065 | 4264 | 4486 | 4785 | 5249 | 5504 | 4477 | 3736 | 3175 | 2775 | |
| | 75F | TC | 45504 | 51751 | 51980 | 53155 | 54851 | 56056 | 56346 | 55975 | 56413 | 51734 | 46311 | 38229 | 31458 | 24854 | 19490 | |
| | | Input | 2530 | 3112 | 3165 | 3279 | 3702 | 3997 | 4277 | 4452 | 4815 | 5194 | 5435 | 4539 | 3748 | 3188 | 2757 | |
| | 80F | TC | 48000 | 54076 | 55063 | 56012 | 58043 | 58453 | 58878 | 59296 | 59697 | 54803 | 49059 | 40626 | 33149 | 26384 | 20473 | |
| | | Input | 2522 | 3083 | 3168 | 3259 | 3746 | 3972 | 4233 | 4514 | 4851 | 5179 | 5441 | 4573 | 3784 | 3198 | 2722 | |

HEATING PERFORMANCE DATA

| Model | Heating | | | | | | | | | | | | |
|---------------------|----------------------|-------|-------|-------|-------|-------|-------|-------|-------|-------|-------|-------|-------|
| | Indoor Conditions DB | | 5F | 10F | 17F | 20F | 25F | 32F | 35F | 40F | 47F | 50F | 57F |
| | | | | | | | | | | | | | |
| BM48MFCC BMY48UC | 60F | TC | 31465 | 34952 | 38014 | 40179 | 41602 | 43389 | 44917 | 51634 | 58319 | 59662 | 60762 |
| | | Input | 4025 | 4250 | 4417 | 4517 | 4572 | 4615 | 4686 | 5162 | 5395 | 5227 | 5126 |
| | 65F | TC | 30638 | 34067 | 36907 | 38896 | 40469 | 41962 | 43609 | 50374 | 56347 | 57756 | 59050 |
| | | Input | 4149 | 4359 | 4525 | 4619 | 4679 | 4738 | 4816 | 5283 | 5534 | 5378 | 5246 |
| | 70F | TC | 29631 | 32914 | 36007 | 37653 | 39252 | 40898 | 42339 | 49050 | 54653 | 56074 | 57386 |
| | | Input | 4252 | 4493 | 4656 | 4732 | 4804 | 4874 | 4925 | 5402 | 5653 | 5493 | 5370 |
| | 75F | TC | 28445 | 31762 | 34675 | 36335 | 37682 | 39303 | 40434 | 46843 | 52521 | 53943 | 54861 |
| | | Input | 4383 | 4610 | 4814 | 4874 | 4934 | 5006 | 5092 | 5559 | 5799 | 5652 | 5515 |

LEGEND

- DB --- Dry Bulb (Air Temperature without considering humidity)
- TC --- Total Net Capacity 1000 Btu/hour (Actual Capacity + Dehumidifying Capacity)
- Input --- Total Power (W)

Certificate of Product Ratings

AHRI Certified Reference Number : 207571385 Date : 02-29-2024 Model Status : Active
 AHRI Type : HRCU-A-CB-O (Mini-Split Heat Pump, with Remote Outdoor Unit Air-Source, Free Delivery)
 Series Name : BM series
 Outdoor Unit Brand Name : BLUERIDGE
 Outdoor Unit Model Number : BMY48UC
 Indoor Type : Mini-Splits (Non-Ducted)
 Indoor Model Number(s) : BM48MFCC

Rated as follows in accordance with the latest edition of AHRI 210/240 - 2017 with Addendum 1, Performance Rating of Unitary Air-Conditioning & Air-Source Heat Pump Equipment and subject to rating accuracy by AHRI-sponsored, independent, third party testing:

Cooling Capacity (A2) - Single or High Stage (95F), btuh : 48000
 SEER : 18.00
 EER (A2) - Single or High Stage (95F) : 9.30
 Heating Capacity (H12) - Single or High Stage (47F) : 50000
 HSPF (Region IV) : 11.00

Rated as follows in accordance with the latest edition of AHRI 210/240 – 2023, Performance Rating of Unitary Air-Conditioning & Air-Source Heat Pump Equipment and subject to rating accuracy by AHRI-sponsored, independent, third party testing:

Cooling Capacity (A_{Full}) – Single or High Stage (95F), btuh : 48000
 SEER2 : 18.90
 EER2 (A_{Full}) – Single or High Stage (95F) : 9.30
 Heating Capacity (H1_{Full}) – Single or High Stage (47F), btuh : 50000
 HSPF2 (Region IV) : 10.00

Sold in? : USA, Canada



AHRI CERTIFIED[®]
www.ahrirectory.org

†"Active" Model Status are those that an AHRI Certification Program Participant is currently producing AND selling or offering for sale; OR new models that are being marketed but are not yet being produced."Production Stopped" Model Status are those that an AHRI Certification Program Participant is no longer producing BUT is still selling or offering for sale.

Ratings that are accompanied by WAS indicate an involuntary re-rate. The new published rating is shown along with the previous (i.e. WAS) rating.

The Department of Energy has published updated energy efficiency metrics for central air conditioners and heat pumps. This publication reflects both the 1987 metric (SEER) and the 2023 metric (SEER2). Efficiency requirements are published at 10 C.F.R. 430.32(c). Please refer to www.AHRInet.org for more information about updated energy efficiency metrics.

*This refers to the federal tax credit that may be known to consumers as "Inflation Reduction Act (IRA) of 2022 Tax Credit," "25C Tax Credit," or "Energy Efficient Home Improvement Credit." This is not intended to constitute tax or legal advice. Instead, it is for general informational purposes only. AHRI makes no representation or warranty, express or implied or assumes any legal liability or responsibility for the accuracy, completeness, any third party's use of, or the results of the use of potential eligibility for tax credit disclosed on the AHRI Directory of Certified Product Performance and AHRI Certificate of Product Ratings. Potential eligibility for tax credit may not constitute the most up to date information. AHRI is unable to advise or confirm tax credit eligibility. Individuals considering eligibility for the tax credit are advised to confirm eligibility with their equipment installers, tax attorneys or preparers.

DISCLAIMER

AHRI does not endorse the product(s) listed on this Certificate and makes no representations, warranties or guarantees as to, and assumes no responsibility for, the product(s) listed on this Certificate. AHRI expressly disclaims all liability for damages of any kind arising out of the use or performance of the product(s), or the unauthorized alteration of data listed on this Certificate. Certified ratings are valid only for models and configurations listed in the directory at www.ahrirectory.org.

TERMS AND CONDITIONS

This Certificate and its contents are proprietary products of AHRI. This Certificate shall only be used for individual, personal and confidential reference purposes. The contents of this Certificate may not, in whole or in part, be reproduced; copied; disseminated; entered into a computer database; or otherwise utilized, in any form or manner or by any means, except for the user's individual, personal and confidential reference.

CERTIFICATE VERIFICATION

The information for the model cited on this certificate can be verified at www.ahrirectory.org, click on "Verify Certificate" link and enter the AHRI Certified Reference Number and the date on which the certificate was issued, which is listed above, and the Certificate No., which is listed at bottom right.

©2024 Air-Conditioning, Heating, and Refrigeration Institute



we make life better™

CERTIFICATE NO.: 133537055341087861



ENERGY STAR CERTIFIED

Heat Pumps (Mini-Split)

: BMY48UC

Specifications

| | |
|-----------------------------------|--------------------------|
| ENERGY STAR Unique ID: | 2448926 |
| Outdoor Unit Brand Name: | BLUERIDGE |
| Series Name: | BM series |
| Outdoor Unit Model Number: | BMY48UC |
| Indoor Unit Model Number: | BM48MFCC |
| Indoor Unit Brand Name: | BLUERIDGE |
| SEER2 (Btu/Wh): | 18.9 |
| Product Type: | HP - Mini or Multi Split |
| EER2 (Btu/Wh): | 9.3 |
| HSPF2 (Btu/Wh): | 10.0 |
| COP at 5°F: | 1.85 |
| Cooling Capacity (Btu/h): | 48000 |
| Heating Capacity at 47°F (Btu/h): | 50000 |
| Heating Capacity at 5°F (Btu/h): | 35000 |
| Cold Climate: | Yes |
| Connected Capable: | No |
| Meets Peak Cooling Requirements: | No |
| Tax Credit Eligible: | No |
| Refrigerant with GWP: | R-410A (GWP:2088) |
| ENERGY STAR Most Efficient: | No |

Captured On:
04/10/2023