



# BMY6HH27 Specifications and Certifications



## Models

BMY6HH27C	6000 BTU 26.5 SEER2 208/230V Minisplit Heat Pump Condenser
BMY6HH27WM	6000 BTU 26.5 SEER2 208/230V Minisplit Heat Pump Air Handler
BMY6HH27	6000 BTU 26.5 SEER2 208/230V Minisplit Heat Pump System
BMY6HH27 KIT15	6000 BTU 26.5 SEER2 208/230V Minisplit Heat Pump W/ 15 Ft Installation Kit
BMY6HH27 KIT25	6000 BTU 26.5 SEER2 208/230V Minisplit Heat Pump W/ 25 Ft Installation Kit

# What's in the Box

## Mini-Split System

**BMY6HH27**

6000 BTU 26.5 SEER2 208/230V Minisplit Heat Pump Condenser
6000 BTU 26.5 SEER2 208/230V Minisplit Heat Pump Air Handler
Remote Controller



## Mini-Split System with Installation Kit

**BMY6HH27  
KIT15**

6000 BTU 26.5 SEER2 208/230V Minisplit Heat Pump Condenser
6000 BTU 26.5 SEER2 208/230V Minisplit Heat Pump Air Handler
15 Foot 1/4 LL 3/8 SL Ductless Mini-Split Line Set
25 Foot Stranded Ductless Mini-Split Communication Wire
2.5" Wall Sleeve for SpeediChannel™ Line Set Covers
1/2 x 48 Inches, #10 Gauge Electrical Whip
Nylog Blue Gasket, Flare and Thread Sealant
Safety Non-Fused Electrical Disconnect
5/8in Inner Diameter Drain Hose, 20ft Length
Adapter 5/16" x 1/4" for Ductless Mini-Split Systems
Remote controller





**BMY6HH27  
KIT25**

6000 BTU 26.5 SEER2 208/230V Minisplit Heat Pump Condenser
6000 BTU 26.5 SEER2 208/230V Minisplit Heat Pump Air Handler
25 Foot 1/4 LL 3/8 SL Ductless Mini-Split Line Set
35 Foot Stranded Ductless Mini-Split Communication Wire
2.5" Wall Sleeve for SpeediChannel™ Line Set Covers
1/2 x 48 Inches, #10 Gauge Electrical Whip
Nylog Blue Gasket, Flare and Thread Sealant
Safety Non-Fused Electrical Disconnect
5/8in Inner Diameter Drain Hose, 20ft Length
Adapter 5/16" x 1/4" for Ductless Mini-Split Systems
Remote controller



## SUBMITTAL DATA SHEET

Wall Mounted Heat Pump System	
Location: Engineer: Submitted to: Submitted by: Reference:	Approval: Date: Construction: Unit #: Drawing #:

Set Model 15 Ft Kit Model 25 Ft Kit Model	BMY6HH27 BMY6HH27 KIT15 BMY6HH27 KIT25
<b>Certified</b>	  



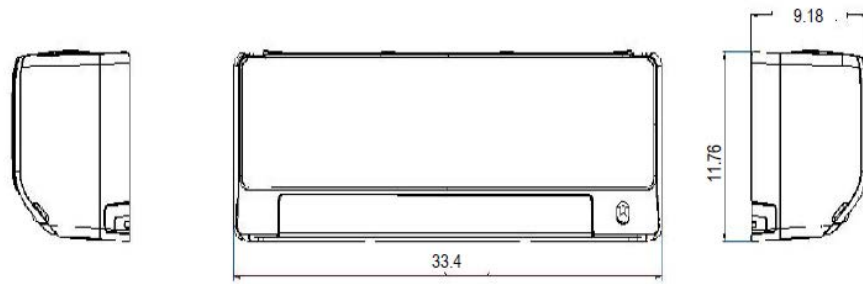
SYSTEM PERFORMANCE DATA		
<b>Power supply</b>		
Normal Operational Voltage	(V, Ph, Hz)	208/230V, 1Ph, 60Hz
Voltage Range	(V)	187-253
<b>Electrical</b>		
Minimum circuit ampacity(Outdoor)	(A)	13.0
Max.fuse(Outdoor)	(A)	15.0
Connection wiring		14AWG*4
<b>Cooling</b>		
Capacity	(Btu/h)	6000(3400~12000)
Power Input	(W)	380(166~1008)
Current	(A)	3.3(0.72~4.38)
SEER2	(Btu/W)	26.5
EER2	(Btu/W)	15.8
<b>Heating</b>		
Capacity	(Btu/h)	7000(3300~11500)
Power Input	(W)	449(241~1200)
Current	(A)	3.92(1.05~5.2)
HSPF2-4	(Btu/W)	13.6
COP	W/W	3.92
Heat at 17F(AHRI Rating)	(Btu/h)	8500
Heat at 5F(AHRI Rating)	(Btu/h)	7500
COP at 5F(AHRI Rating)	W/W	2.10

INDOOR UNIT DATA		
<b>Indoor fan motor</b>		
Model		ZKFP-20-8-6-7
Qty		1
Input	(W)	50.00
Output	(W)	20.0
RLA	(A)	0.4
<b>Air flow &amp; Noise level</b>		
Indoor air flow (Hi/Med/Lo) (No duct)	(CFM)	364.71/317.65/217.65/167.65
Indoor noise level (Hi/Med/Lo)	[dB(A)]	36/32/23
<b>Dehumidification</b>	(L/H)	0.15
<b>Indoor unit</b>		
Dimension (WxDxH)	(inch)	33.40x9.18x11.76
Packing(WxDxH)	(inch)	36.22x12.20x14.57
Net/Gross weight	(lbs.)	22.71/28.88

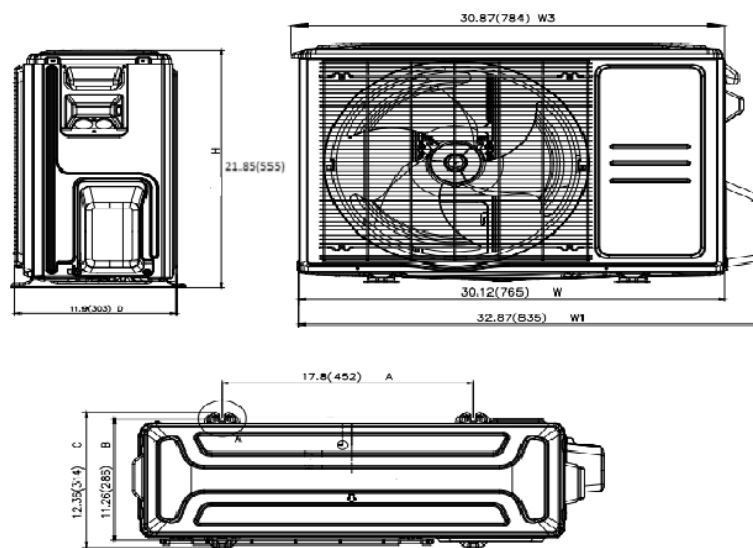
REFRIGERANT PIPE DATA		
Throttle type	Indoor unit	N/A
	Outdoor unit	EXV
Design pressure	(PSIG)	550/340
Refrigerant Type		R410A
Refrigerant charge	oz	38.10
Refrigerant precharge	(ft)	25.0
Additional charge for each ft	(oz/ft)	0.16
Liquid side/ Gas side(indoor)	(inch)	1/4"/3/8"
Liquid side/ Gas side(outdoor)	(inch)	1/4"/3/8"
Max. pipe length	(ft)	82.0
Max. difference in level	(ft)	32.8
Connection method		Flared
Remote Control Temp Range(cooling)	(Deg. F)	62 ~ 86
Remote Control Temp Range(heating)	(Deg. F)	62 ~ 86
Outdoor(cooling)	(Deg. F)	-22~-122
Outdoor(heating)	(Deg. F)	-22~-75

OUTDOOR UNIT DATA		
<b>Compressor</b>		
Type		ROTARY
Model		KSK103D33UEZ3
Brand		GMCC
Capacity	(Btu/h)	11106
Input	(W)	826
Rated current (RLA)	(A)	6.4
Refrigerant oil/oil charge	(ml)	ESTER OIL VG74 310
<b>Outdoor fan motor</b>		
Model		ZKFN-34-10-1
Qty		1
Input	(W)	/
Output	(W)	34
RLA	(A)	0.4
Speed	(r/min)	800/600
<b>Air flow &amp; Noise level</b>		
Outdoor air flow (Max.)	(CFM)	1294
Outdoor noise level	[dB(A)]	53.5
<b>Outdoor unit</b>		
Dimension (WxDxH)	(inch)	30.12x11.93x21.85
Packing (WxDxH)	(inch)	34.92x13.27x24.02
Net/ Gross weight	(lbs.)	63.71/69.00

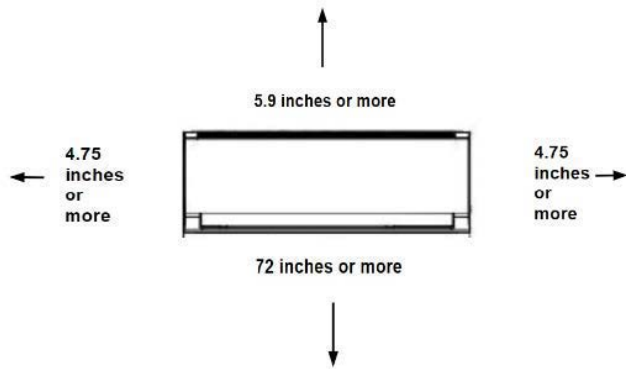
Indoor unit dimension



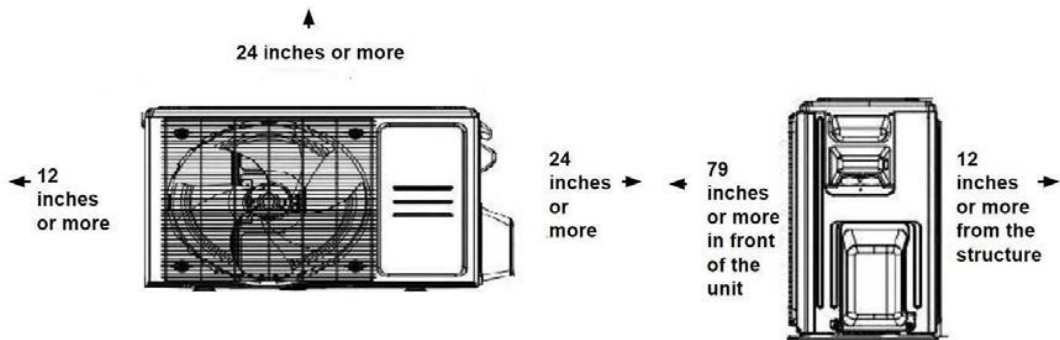
Outdoor unit dimension



Indoor unit clearance (Inches)



Outdoor unit clearance (Inches)



**COOLING PERFORMANCE DATA**

YS Model	Cooling		Outdoor conditions (DB)																		
	Indoor DB		-22F	-13F	-4F	0F	5F	17F	25F	35F	47F	55F	65F	75F	80F	85F	95F	105F	110F	115F	122F
			TC	Input	TC	Input	TC	Input	TC	Input	TC	Input	TC	Input	TC	Input	TC	Input	TC	Input	TC
BMY6HH27WM BMY6HH27C Wall mounted (208-230V)	65F	TC	8233	8919	9349	9469	9748	10022	10205	10796	10929	10692	10907	10897	11151	10895	11031	10324	9966	8932	7575
		Input	321	368	395	395	405	552	638	741	830	817	859	887	945	936	1004	1008	1018	1083	1080
	70F	TC	8630	9398	9841	9895	10197	10461	10857	11246	11553	11350	11361	11568	11676	11468	11636	10936	10435	9462	8050
		Input	322	371	393	390	405	549	640	726	842	831	859	902	930	938	1003	1012	1014	1078	1088
	75F	TC	9152	9831	10337	10394	10813	11059	11464	11964	12110	11960	11959	12216	12239	12161	12275	11524	10916	9950	8465
		Input	322	367	390	393	412	555	638	736	836	839	860	899	916	950	999	1012	1005	1086	1076
	80F	TC	9563	10283	10824	11045	11276	11532	12068	12593	12641	12683	12723	12765	12803	12869	12934	12182	11382	10408	8996
		Input	322	362	386	398	412	553	636	735	823	844	867	891	916	957	1008	1013	1005	1077	1092

**HEATING PERFORMANCE DATA**

YS Model	Heating		Outdoor conditions (DB)														
	Indoor Conditions DB		-22F	-13F	-4F	0F	5F	10F	17F	20F	32F	5F	40F	47F	50F	57F	
			TC	Input	TC	Input	TC	Input	TC	Input	TC	Input	TC	Input	TC	Input	TC
BMY6HH27WM BMY6HH27C Wall mounted (208-230V)	60F	TC	3957	5556	7693	8336	8902	9366	9879	10420	11163	11819	12518	10097	7758	7819	7602
		Input	782	849	921	984	1047	1074	1108	1120	1132	1143	1172	749	476	445	427
	65F	TC	3834	5410	7476	8078	8660	9075	9563	10146	10859	11475	12212	9851	7568	7555	7417
		Input	799	869	948	1008	1069	1100	1136	1151	1160	1175	1198	765	490	458	437
	70F	TC	3719	5227	7244	7858	8424	8845	9266	9899	10512	11151	11822	9573	7369	7299	7222
		Input	816	895	968	1037	1099	1134	1172	1183	1191	1206	1223	786	502	471	446
	75F	TC	3574	5039	6947	7567	8061	8456	8868	9473	10050	10649	11314	9171	7111	7022	6940
		Input	839	925	993	1063	1135	1162	1202	1223	1229	1240	1257	810	515	483	457

**LEGEND**

DB --- Dry Bulb  
 TC --- Total Net Capacity (1000 Btu/hour)  
 Input --- Total Power (kW)



# Certificate of Product Ratings

AHRI Certified Reference Number : 207826692    Date : 08-29-2022    Model Status : Active

AHRI Type : HRCU-A-CB-O (Mini-Split Heat Pump, with Remote Outdoor Unit Air-Source, Free Delivery)

Outdoor Unit Brand Name : BLUERIDGE

Outdoor Unit Model Number : BMY6HH27C

Indoor Type : Mini-Splits (Non-Ducted)

Indoor Model Number(s) : BMY6HH27WM

Rated as follows in accordance with the latest edition of AHRI 210/240 - 2017 with Addendum 1, Performance Rating of Unitary Air-Conditioning & Air-Source Heat Pump Equipment and subject to rating accuracy by AHRI-sponsored, independent, third party testing:

Cooling Capacity (A2) - Single or High Stage (95F), btuh : 6000

SEER : 26.50

EER (A2) - Single or High Stage (95F) : 15.80

Heating Capacity (H12) - Single or High Stage (47F) : 7000

HSPF (Region IV) : 14.00

Rated as follows in accordance with the latest edition of AHRI 210/240 – 2023, Performance Rating of Unitary Air-Conditioning & Air-Source Heat Pump Equipment and subject to rating accuracy by AHRI-sponsored, independent, third party testing:

Cooling Capacity (A<sub>Full</sub>) – Single or High Stage (95F), btuh : 6000

SEER2 : 26.50

EER2 (A<sub>Full</sub>) – Single or High Stage (95F) : 15.80

Heating Capacity (H1<sub>Full</sub>) – Single or High Stage (47F), btuh : 7000

HSPF2 (Region IV) : 13.60

Sold in? : USA, Canada

†'Active' Model Status are those that an AHRI Certification Program Participant is currently producing AND selling or offering for sale; OR new models that are being marketed but are not yet being produced. "Production Stopped" Model Status are those that an AHRI Certification Program Participant is no longer producing BUT is still selling or offering for sale.

Ratings that are accompanied by WAS indicate an involuntary re-rate. The new published rating is shown along with the previous (i.e. WAS) rating.

The Department of Energy has published updated energy efficiency metrics for central air conditioners and heat pumps. This publication reflects both the 1987 metric (SEER) and the 2023 metric (SEER2). Efficiency requirements are published at 10 C.F.R. 430.32(c). Please refer to [www.AHRInet.org](http://www.AHRInet.org) for more information about updated energy efficiency metrics.

#### DISCLAIMER

AHRI does not endorse the product(s) listed on this Certificate and makes no representations, warranties or guarantees as to, and assumes no responsibility for, the product(s) listed on this Certificate. AHRI expressly disclaims all liability for damages of any kind arising out of the use or performance of the product(s), or the unauthorized alteration of data listed on this Certificate. Certified ratings are valid only for models and configurations listed in the directory at [www.ahridirectory.org](http://www.ahridirectory.org).

#### TERMS AND CONDITIONS

This Certificate and its contents are proprietary products of AHRI. This Certificate shall only be used for individual, personal and confidential reference purposes. The contents of this Certificate may not, in whole or in part, be reproduced; copied; disseminated; entered into a computer database; or otherwise utilized, in any form or manner or by any means, except for the user's individual, personal and confidential reference.

#### CERTIFICATE VERIFICATION

The information for the model cited on this certificate can be verified at [www.ahridirectory.org](http://www.ahridirectory.org), click on "Verify Certificate" link and enter the AHRI Certified Reference Number and the date on which the certificate was issued, which is listed above, and the Certificate No., which is listed at bottom right.

©2022 Air-Conditioning, Heating, and Refrigeration Institute



we make life better™

**CERTIFICATE NO.:**

133062574963036936



ENERGY STAR CERTIFIED

# Heat Pumps (Mini-Split)

: BMY6HH27C

## Specifications

ENERGY STAR Unique ID:	2449001
Outdoor Unit Brand Name:	BLUERIDGE
Series Name:	BM series
Outdoor Unit Model Number:	BMY6HH27C
Indoor Unit Model Number:	BMY6HH27WM
Indoor Unit Brand Name:	BLUERIDGE
SEER2 (Btu/Wh):	26.5
Product Type:	HP - Mini or Multi Split
EER2 (Btu/Wh):	15.8
HSPF2 (Btu/Wh):	13.6
COP at 5°F:	2.1
Cooling Capacity (Btu/h):	6000
Heating Capacity at 47°F (Btu/h):	7000
Heating Capacity at 5°F (Btu/h):	7500
Cold Climate:	Yes
Connected Capable:	No
Meets Peak Cooling Requirements:	Yes
Tax Credit Eligible:	Yes
Refrigerant with GWP:	R-410A (GWP:2088)
ENERGY STAR Most Efficient:	No

Captured On:  
04/10/2023