



BMY922 Specifications and Certifications



Models

BMY922C	9000 BTU 21.7 SEER2 208/230V Minisplit Heat Pump Condenser
BMY922WM	9000 BTU 21.7 SEER2 208/230V Minisplit Heat Pump Air Handler
BMY922	9000 BTU 21.7 SEER2 208/230V Minisplit Heat Pump System
BMY922 KIT15	9000 BTU 21.7 SEER2 208/230V Minisplit Heat Pump W/ 15 Ft Installation Kit
BMY922 KIT25	9000 BTU 21.7 SEER2 208/230V Minisplit Heat Pump W/ 25 Ft Installation Kit

What's in the Box

Mini-Split System

BM922	9000 BTU 21.7 SEER2 115V Mini-Split Heat Pump Condenser
	9000 BTU 21.7 SEER2 115V Mini-Split Heat Pump Air Handler
	Remote Controller



Mini-Split System with Installation Kit

BM922 KIT15	9000 BTU 21.7 SEER2 115V Mini-Split Heat Pump Condenser
	9000 BTU 21.7 SEER2 115V Mini-Split Heat Pump Air Handler
	15 Foot 1/4 LL 3/8 SL Ductless Mini-Split Line Set
	25 Foot Stranded Ductless Mini-Split Communication Wire
	2.5" Wall Sleeve for SpeediChannel™ Line Set Covers
	1/2 x 48 Inches, #10 Gauge Electrical Whip
	Nylog Blue Gasket, Flare and Thread Sealant
	Safety Non-Fused Electrical Disconnect
	5/8in Inner Diameter Drain Hose, 20ft Length
	Adapter 5/16" x 1/4" for Ductless Mini-Split Systems
Remote controller	



BM922 KIT25	9000 BTU 21.7 SEER2 115V Mini-Split Heat Pump Condenser
	9000 BTU 21.7 SEER2 115V Mini-Split Heat Pump Air Handler
	25 Foot 1/4 LL 3/8 SL Ductless Mini-Split Line Set
	35 Foot Stranded Ductless Mini-Split Communication Wire
	2.5" Wall Sleeve for SpeediChannel™ Line Set Covers
	1/2 x 48 Inches, #10 Gauge Electrical Whip
	Nylog Blue Gasket, Flare and Thread Sealant
	Safety Non-Fused Electrical Disconnect
	5/8in Inner Diameter Drain Hose, 20ft Length
	Adapter 5/16" x 1/4" for Ductless Mini-Split Systems
Remote controller	



Wall Mounted Heat Pump System

Location: _____
 Engineer: _____
 Submitted to: _____
 Submitted by: _____
 Reference: _____

Approval: _____
 Date: _____
 Construction: _____
 Unit #: _____
 Drawing #: _____

Set Model	BM922
15 Ft Kit Model	BM922 KIT15
25 Ft Kit Model	BM922 KIT25
Certified	  



SYSTEM PERFORMANCE DATA

Power supply			
Normal Operational Voltage	(V, Ph, Hz)	208/230V,1Ph,60Hz	
Voltage Range	(V)	187-253	
Electrical			
Minimum circuit ampacity(Outdoor)	(A)	12.0	
Max.fuse(Outdoor)	(A)	15.0	
Connection wiring		14#x4	
Cooling			
Capacity	(Btu/h)	9000(2900~10500)	
Power Input	(W)	715(220~950)	
Current	(A)	3.11(0.96~4.13)	
SEER2	(Btu/W)	21.7	
EER2	(Btu/W)	12.6	
Heating			
Capacity	(Btu/h)	10000(2400~10500)	
Power Input	(W)	905(190~1160)	
Current	(A)	3.94(0.83~5.04)	
HSPF2-4	(Btu/W)	9.4	
COP	W/W	3.24	
Heat at 17F(AHRI Rating)	(Btu/h)	6000	
Heat at 5F(AHRI Rating)	(Btu/h)	7000	
COP at 5F(AHRI Rating)	W/W	2.00	

REFRIGERANT PIPE DATA

Throttle type	Indoor unit	N/A
	Outdoor unit	Capillary
Design pressure	(PSIG)	550/340
Refrigerant Type		R410A
Refrigerant charge	oz	30
Refrigerant precharge	(ft)	25.0
Additional charge for each ft	(oz/ft)	0.16
Liquid side/ Gas side(indoor)	(inch)	1/4"/3/8"
Liquid side/ Gas side(outdoor)	(inch)	1/4"/3/8"
Max. pipe length	(ft)	82.0
Max. difference in level	(ft)	32.8
Connection method		Flared
Remote Control Temp Range(cooling)	(Deg. F)	62 ~ 86
Remote Control Temp Range(heating)	(Deg. F)	62 ~ 86
Outdoor(cooling)	(Deg. F)	5~122
Outdoor(heating)	(Deg. F)	5~75

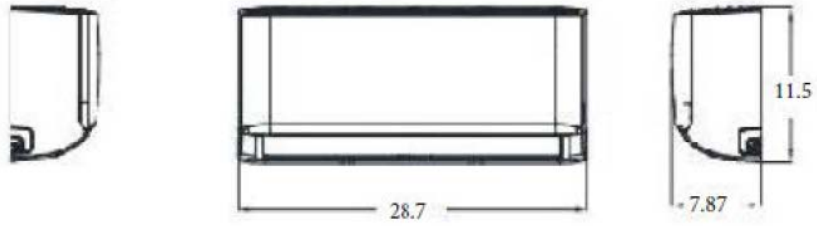
INDOOR UNIT DATA

Indoor fan motor			
Model		ZKFP-13-8-4	
Qty		1	
Input	(W)	/	
Output	(W)	13.0	
RLA	(A)	0.2	
Air flow & Noise level			
Indoor air flow (Turbo/Hi/Med/Lo)	(CFM)	311.76/246.47/176.47/141.18	
Indoor noise level (Hi/Med/Lo)	[dB(A)]	37/28/20	
Dehumidification	(L/H)	0.945	
Indoor unit			
Dimension (WxDxH)	(inch)	28.70x7.87x11.50	
Packing(WxDxH)	(inch)	31.10x10.63x14.76	
Net/Gross weight	(lbs.)	17.64/22.49	

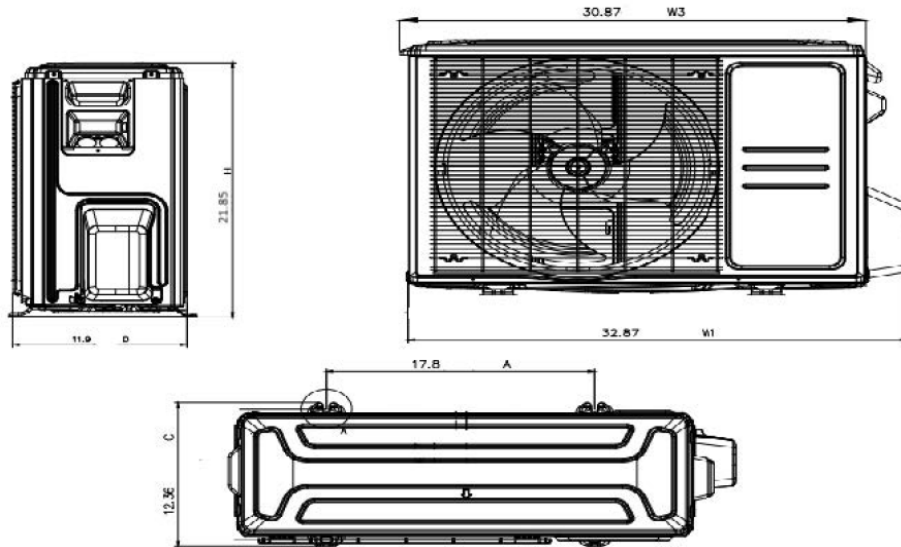
OUTDOOR UNIT DATA

Compressor			
Type		ROTARY	
Model		KSK103D33UEZ3	
Brand		GMCC	
Capacity	(Btu/h)	11106	
Input	(W)	826	
Rated current (RLA)	(A)	7	
Refrigerant oil/oil charge	(ml)	ESTER OIL VG74 310	
Outdoor fan motor			
Model		ZKFN-34-10-1-3	
Qty		1	
Input	(W)	/	
Output	(W)	34	
RLA	(A)	0.8	
Air flow & Noise level			
Outdoor air flow (Max.)	(CFM)	1294	
Outdoor noise level	[dB(A)]	54.5	
Outdoor unit			
Dimension (WxDxH)	(inch)	30.12x11.93x21.85	
Packing (WxDxH)	(inch)	34.92x13.27x24.02	
Net/ Gross weight	(lbs.)	55.11/60.85	

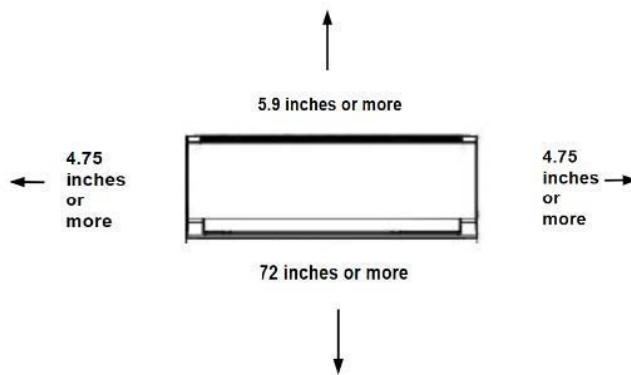
Indoor unit dimension



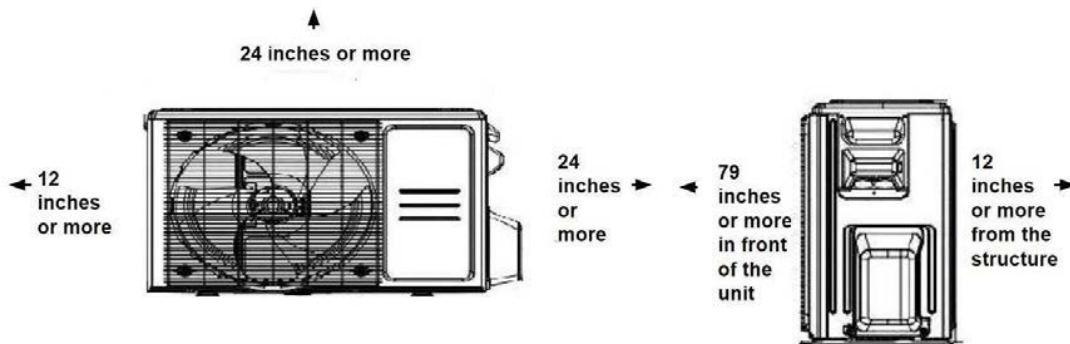
Outdoor unit dimension



Indoor unit clearance (Inches)



Outdoor unit clearance (Inches)



COOLING PERFORMANCE DATA

Model	Cooling																	
	Indoor Conditions DB		5F	17F	25F	35F	47F	55F	65F	75F	80F	85F	95F	105F	110F	115F	122F	
BMY922WM BMY922C Wall Mounted (208-230V)	65F	TC	9419	9256	9982	10300	9921	9798	9631	9643	9693	9309	8620	8325	8040	7692	7282	
		Input	480	498	543	573	564	603	626	707	791	831	906	949	973	1073	1226	
	70F	TC	9894	9784	10463	10774	10532	10423	10245	10205	10139	9707	9170	8763	8401	8055	7665	
		Input	480	504	546	576	570	608	639	703	792	831	923	940	974	1061	1236	
	75F	TC	10448	10332	10911	11353	11028	11042	10842	10856	10730	10122	9562	9292	8862	8461	7985	
		Input	482	501	545	581	569	616	645	718	789	830	913	943	975	1058	1211	
	80F	TC	10952	10853	11365	11839	11658	11550	11448	11344	11235	10655	10140	9710	9329	8869	8343	
		Input	478	502	542	581	571	610	653	708	777	870	917	934	965	1061	1097	

HEATING PERFORMANCE DATA

Model	Heating												
	Indoor Conditions DB		5F	10F	17F	20F	25F	32F	35F	40F	47F	50F	57F
BMY922WM BMY922C Wall Mounted (208-230V)	60F	TC	6425	7195	8141	8669	9255	9738	10264	10878	11369	11921	12380
		Input	921	950	1003	1002	1007	1007	1004	1058	1103	1148	1213
	65F	TC	6214	7020	7919	8392	8977	9427	9937	10571	11059	11529	12066
		Input	947	976	1023	1031	1036	1031	1035	1079	1127	1174	1238
	70F	TC	6004	6789	7711	8187	8698	9170	9657	10224	10747	11183	11715
		Input	969	1006	1053	1053	1059	1057	1060	1111	1156	1207	1269
	75F	TC	5739	6517	7433	7893	8315	8849	9222	9835	10264	10691	11293
		Input	999	1032	1084	1087	1090	1085	1088	1139	1186	1249	1303

LEGEND

DB --- Dry Bulb (Air Temperature without considering humidity)
 TC --- Total Net Capacity 1000 Btu/hour (Actual Capacity + Dehumidifying Capacity)
 Input --- Total Power (W)



Certificate of Product Ratings

AHRI Certified Reference Number : 207339173 Date : 02-28-2024 Model Status : Active
 AHRI Type : HRCU-A-CB-O (Mini-Split Heat Pump, with Remote Outdoor Unit Air-Source, Free Delivery)
 Series Name : BM series
 Outdoor Unit Brand Name : BLUERIDGE
 Outdoor Unit Model Number : BMY922C
 Indoor Type : Mini-Splits (Non-Ducted)
 Indoor Model Number(s) : BMY922WM

Rated as follows in accordance with the latest edition of AHRI 210/240 - 2017 with Addendum 1, Performance Rating of Unitary Air-Conditioning & Air-Source Heat Pump Equipment and subject to rating accuracy by AHRI-sponsored, independent, third party testing:

Cooling Capacity (A2) - Single or High Stage (95F), btuh : 9000
 SEER : 21.50
 EER (A2) - Single or High Stage (95F) : 12.60
 Heating Capacity (H12) - Single or High Stage (47F) : 10000
 HSPF (Region IV) : 10.00

Rated as follows in accordance with the latest edition of AHRI 210/240 – 2023, Performance Rating of Unitary Air-Conditioning & Air-Source Heat Pump Equipment and subject to rating accuracy by AHRI-sponsored, independent, third party testing:

Cooling Capacity (A_{Full}) – Single or High Stage (95F), btuh : 9000
 SEER2 : 21.70
 EER2 (A_{Full}) – Single or High Stage (95F) : 12.60
 Heating Capacity (H1_{Full}) – Single or High Stage (47F), btuh : 10000
 HSPF2 (Region IV) : 9.40

Sold in? : USA, Canada

AHRI CERTIFIED®
 www.ahrirectory.org

†"Active" Model Status are those that an AHRI Certification Program Participant is currently producing AND selling or offering for sale; OR new models that are being marketed but are not yet being produced."Production Stopped" Model Status are those that an AHRI Certification Program Participant is no longer producing BUT is still selling or offering for sale.

Ratings that are accompanied by WAS indicate an involuntary re-rate. The new published rating is shown along with the previous (i.e. WAS) rating.

The Department of Energy has published updated energy efficiency metrics for central air conditioners and heat pumps. This publication reflects both the 1987 metric (SEER) and the 2023 metric (SEER2). Efficiency requirements are published at 10 C.F.R. 430.32(c). Please refer to www.AHRInet.org for more information about updated energy efficiency metrics.

*This refers to the federal tax credit that may be known to consumers as "Inflation Reduction Act (IRA) of 2022 Tax Credit," "25C Tax Credit," or "Energy Efficient Home Improvement Credit." This is not intended to constitute tax or legal advice. Instead, it is for general informational purposes only. AHRI makes no representation or warranty, express or implied or assumes any legal liability or responsibility for the accuracy, completeness, any third party's use of, or the results of the use of potential eligibility for tax credit disclosed on the AHRI Directory of Certified Product Performance and AHRI Certificate of Product Ratings. Potential eligibility for tax credit may not constitute the most up to date information. AHRI is unable to advise or confirm tax credit eligibility. Individuals considering eligibility for the tax credit are advised to confirm eligibility with their equipment installers, tax attorneys or preparers.

DISCLAIMER

AHRI does not endorse the product(s) listed on this Certificate and makes no representations, warranties or guarantees as to, and assumes no responsibility for, the product(s) listed on this Certificate. AHRI expressly disclaims all liability for damages of any kind arising out of the use or performance of the product(s), or the unauthorized alteration of data listed on this Certificate. Certified ratings are valid only for models and configurations listed in the directory at www.ahrirectory.org.

TERMS AND CONDITIONS

This Certificate and its contents are proprietary products of AHRI. This Certificate shall only be used for individual, personal and confidential reference purposes. The contents of this Certificate may not, in whole or in part, be reproduced; copied; disseminated; entered into a computer database; or otherwise utilized, in any form or manner or by any means, except for the user's individual, personal and confidential reference.

CERTIFICATE VERIFICATION

The information for the model cited on this certificate can be verified at www.ahrirectory.org, click on "Verify Certificate" link and enter the AHRI Certified Reference Number and the date on which the certificate was issued, which is listed above, and the Certificate No., which is listed at bottom right.

©2024 Air-Conditioning, Heating, and Refrigeration Institute



we make life better™

CERTIFICATE NO.: 133536260780995999



ENERGY STAR CERTIFIED

Heat Pumps (Mini-Split)

: BMY922C

Specifications	
ENERGY STAR Unique ID:	2448935
Outdoor Unit Brand Name:	BLUERIDGE
Series Name:	BM series
Outdoor Unit Model Number:	BMY922C
Indoor Unit Model Number:	BMY922WM
Indoor Unit Brand Name:	BLUERIDGE
SEER2 (Btu/Wh):	21.7
Product Type:	HP - Mini or Multi Split
EER2 (Btu/Wh):	12.6
HSPF2 (Btu/Wh):	9.4
COP at 5°F:	2.0
Cooling Capacity (Btu/h):	9000
Heating Capacity at 47°F (Btu/h):	10000
Heating Capacity at 5°F (Btu/h):	7000
Cold Climate:	Yes
Connected Capable:	No
Meets Peak Cooling Requirements:	Yes
Tax Credit Eligible:	Yes
Refrigerant with GWP:	R-410A (GWP:2088)
ENERGY STAR Most Efficient:	Yes

Captured On:
03/04/2024