



# BMY9HH21CC Specifications and Certifications



## Models

BMY9HH28C	9000 BTU 20.5 SEER2 208/230V Minisplit Heat Pump Condenser
BM09MCCG	9000 BTU 20.5 SEER2 208/230V Minisplit Heat Pump Air Handler
BMY9HH21CC	9000 BTU 20.5 SEER2 208/230V Minisplit Heat Pump System
BMY9HH21CC KIT15	9000 BTU 20.5 SEER2 208/230V Minisplit Heat Pump W/ 15 Ft Installation Kit
BMY9HH21CC KIT25	9000 BTU 20.5 SEER2 208/230V Minisplit Heat Pump W/ 25 Ft Installation Kit

# What's in the Box

## Mini-Split System

**BMY9HH21CC**

9000 BTU 20.5 SEER2 208-230V Mini-Split Heat Pump Condenser

9000 BTU 20.5 SEER2 208-230V Mini-Split Heat Pump Air Handler

Remote Controller



## Mini-Split System with Installation Kit

**BMY9HH21CC  
KIT15**

9000 BTU 20.5 SEER2 208-230V Mini-Split Heat Pump Condenser

9000 BTU 20.5 SEER2 208-230V Mini-Split Heat Pump Air Handler

15 Foot 1/4 LL 3/8 SL Ductless Mini-Split Line Set

25 Foot Stranded Ductless Mini-Split Communication Wire

Telescoping Wall Sleeve 3 in. x 5 in. x 7-3/4 in.

1/2 x 48 Inches, #10 Gauge Electrical Whip

Nylog Blue Gasket, Flare and Thread Sealant

Safety Non-Fused Electrical Disconnect

Adapter 5/16" x 1/4" for Ductless Mini-Split Systems

Remote Controller



**BMY9HH21CC  
KIT25**

9000 BTU 20.5 SEER2 208-230V Mini-Split Heat Pump Condenser

9000 BTU 20.5 SEER2 208-230V Mini-Split Heat Pump Air Handler

25 Foot 1/4 LL 3/8 SL Ductless Mini-Split Line Set

35 Foot Stranded Ductless Mini-Split Communication Wire

Telescoping Wall Sleeve 3 in. x 5 in. x 7-3/4 in.

1/2 x 48 Inches, #10 Gauge Electrical Whip

Nylog Blue Gasket, Flare and Thread Sealant

Safety Non-Fused Electrical Disconnect

Adapter 5/16" x 1/4" for Ductless Mini-Split Systems

Remote Controller



# SUBMITTAL DATA SHEET



<b>BMY9HH21CC</b>	<b>9,000 BTU/H(208/230V)</b>
Location: _____	Approval: _____
Engineer: _____	Date: _____
Submitted to: _____	Construction: _____
Submitted by: _____	Unit #: _____
Reference: _____	Drawing #: _____

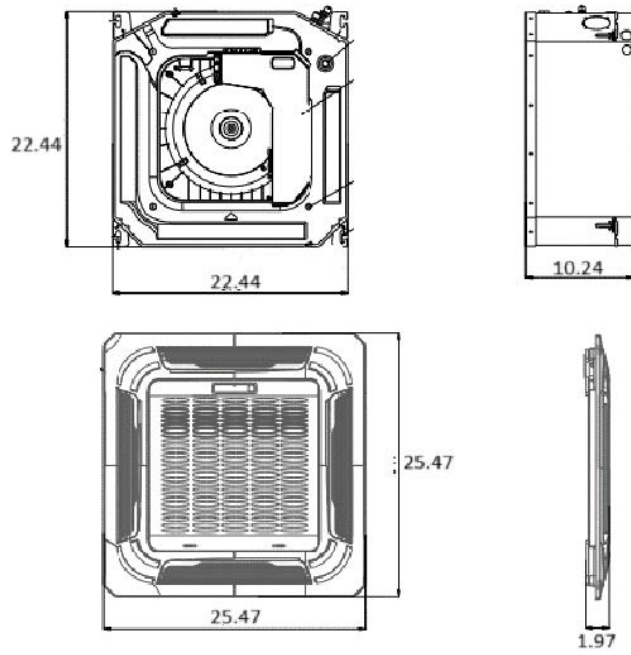
<b>Set Model</b>	BMY9HH21CC
15 ft Kit	BMY9HH21CC KIT15
25 ft kit	BMY9HH21CC KIT25
<b>Certified</b>	<b>AHRI</b>
	<b>UL</b>



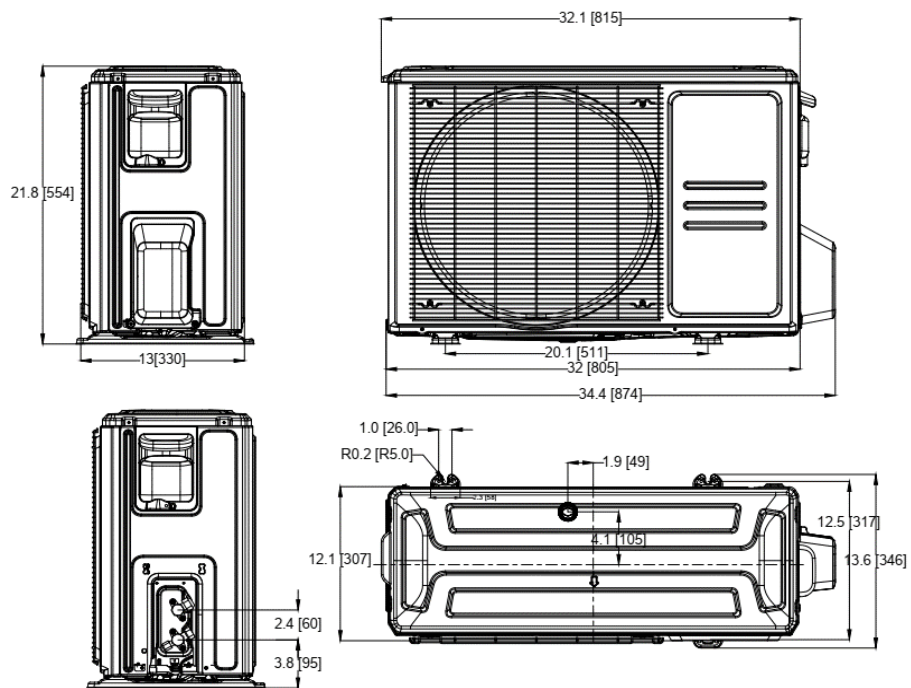
SYSTEM PERFORMANCE DATA		
<b>Power supply</b>		
Normal Operational Voltage	(V, Ph, Hz)	208/230, 1, 60
Voltage Range	(V)	187-253
<b>Electrical</b>		
Minimum circuit ampacity	(A)	15.0
Max.fuse	(A)	15.0
Connection wiring		14*4 AWG
<b>Cooling</b>		
Rated Capacity	(Btu/h)	9000(2850~11100)
Capacity Range	(Btu/h)	2850~11100
Power Input (Max)	(W)	692(163~1117)
Rated current	(A)	3.17(1.25~4.93)
SEER2	(Btu/W)	20.5
EER2	(Btu/W)	13
<b>Heating at 47F</b>		
Rated Capacity	(Btu/h)	9800(2270~12500)
Capacity Range	(Btu/h)	2270~12500
Power Input (Max)	(W)	930(149~1371)
Rated current	(A)	4.58(1.17~6.04)
HSPF4	(Btu/W)	10
COP	w/w	3
<b>Heating at 17F</b>		
Max Capacity	(Btu/h)	9000
REFRIGERANT PIPE DATA		
Design pressure	(PSIG)	550/340
Refrigerant Type	(Oz)	R410A/41.62
Refrigerant precharge	(ft)	25.0
	(m)	7.6
Additional charge for each :	(oz/ft)	0.16
	(g/ft)	15
Liquid side/ Gas side	(inch)	1/4" / 3/8"
Max. pipe length	(ft)	82.0
Max. difference in level	(ft)	32.8
Connection method		(Flared)
Remote Control Temp Range	(Deg. F)	62 ~ 86
Remote Control Temp Range	(Deg. F)	62 ~ 86
Outdoor(cooling)	(Deg. F)	-22~122
Outdoor(heating)	(Deg. F)	-22~75

INDOOR UNIT DATA		
<b>Indoor fan motor</b>		
Type		Cross-Flow
Model		ZKFP-46-8-1
Qty		1
Input	(W)	45.0
RLA	(A)	-
LRA	(A)	---
Winding Resistance	(Ω)	---
Capacitor	(uF)	---
<b>Air flow &amp; Noise level</b>		
Indoor air flow (Hi/Med/Lo)	(CFM)	352.94/305.88/270.59
Indoor noise level (Hi/Med/Lo)	[dB(A)]	39.5/36/32.5
<b>Dehumidification</b>		
	(Pint/H)	---
<b>Indoor unit</b>		
Dimension (WxDxH)	(inch)	22.44x22.44x10.24
Packing(WxDxH)	(inch)	26.06x26.06x12.48
Net/Gross weight	(lbs.)	31.97/38.14
OUTDOOR UNIT DATA		
<b>Compressor</b>		
Type		KTN110D42UFZ
Model		DUAL ROTARY
Brand		GMCC
Capacity	(Btu/h)	11823
Input	(W)	885
Rated current (RLA)	(A)	-
Refrigerant oil/oil charge	(ml)	-
Throttle		Capillary +EXV
<b>Outdoor fan motor</b>		
Model		ZKFN-34-10-1
Qty		1
Input	(W)	--
RLA	(A)	--
<b>Air flow &amp; Noise level</b>		
Outdoor air flow (Max.)	(CFM)	1323.50
Outdoor noise level	[dB(A)]	54.5
<b>Outdoor unit</b>		
Dimension (W×D×H)	(inch)	31.69x12.99x21.81
Packing (W×D×H)	(inch)	36.02x14.57x24.21
Net/ Gross weight	(lbs.)	74.07/80.25

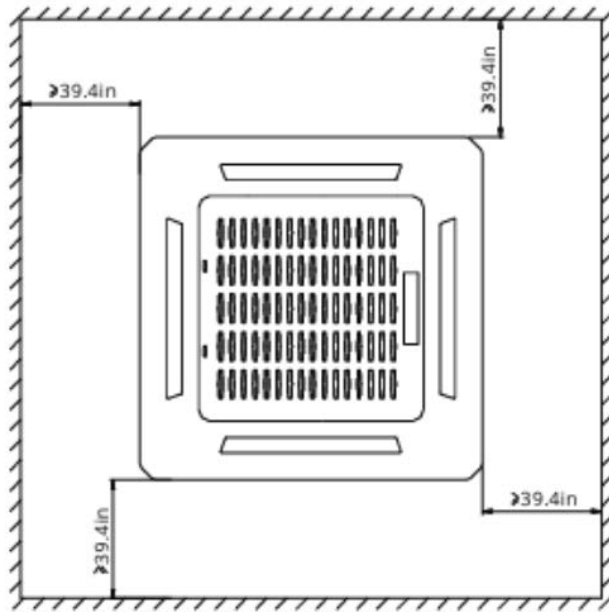
Indoor Unit Dimensions (Inches)



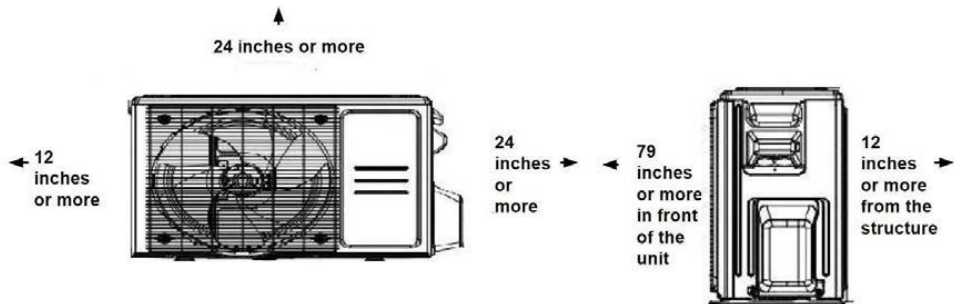
Outdoor Unit Dimensions (Inches)



**Indoor Unit Clearance (Inches)**



**Outdoor Unit Clearance (Inches)**



**COOLING PERFORMANCE DATA**

YS Model	Cooling		Outdoor conditions (DB)																		
	Indoor DB		-22F	-13F	-4F	0F	5F	17F	25F	35F	47F	55F	65F	75F	80F	85F	95F	105F	110F	115F	122F
		TC	Input																		
BM09MCC BMY9HH28C  (208-230V)	65F	TC	8933	9555	9747	10096	10379	10328	10672	10802	10969	11032	10865	10969	11310	11266	11514	11030	10596	9533	8463
		Input	217	280	345	382	413	478	521	587	658	697	727	762	836	951	1159	1179	1221	1327	1409
	70F	TC	9363	10015	10347	10517	10869	10987	11128	11359	11511	11711	11473	11644	11868	11760	12044	11709	11236	10036	8899
		Input	218	280	347	376	413	487	521	584	650	705	734	770	840	948	1157	1192	1222	1340	1424
	75F	TC	9856	10565	11007	11141	11441	11578	11826	11832	12155	12263	12166	12309	12440	12431	12691	12197	11803	10580	9401
		Input	218	280	348	375	412	482	529	580	655	702	737	774	843	957	1149	1169	1215	1348	1400
	80F	TC	10430	11040	11563	11814	12056	12226	12396	12548	12728	12801	12874	12943	13013	13155	13289	12852	12359	11138	9841
		Input	256	278	344	376	417	486	526	580	653	689	733	781	832	1071	1145	1177	1210	1250	1285

**HEATING PERFORMANCE DATA**

YS Model	Heating		Outdoor conditions (DB)														
	Indoor Conditions DB		-22F	-13F	-4F	0F	5F	10F	17F	20F	F	32F	5F	40F	47F	50F	57F
		TC	Input														
BM09MCC BMY9HH28C  (208-230V)	60F	TC	5793	7264	8984	10208	11246	12310	13598	14193	14644	15031	15540	15711	15896	16461	16756
		Input	1389	1400	1405	1512	1536	1616	1692	1714	1747	1755	1779	1584	1434	1361	1298
	65F	TC	5652	7052	8706	9901	10940	11928	13240	13713	14190	14607	15117	15268	15448	15904	16315
		Input	1427	1436	1444	1546	1583	1654	1736	1763	1791	1809	1825	1631	1470	1390	1326
	70F	TC	5493	6827	8485	9585	10621	11626	12830	13288	13737	14223	14720	14881	15028	15441	15779
		Input	1462	1475	1488	1577	1626	1704	1790	1812	1830	1854	1880	1682	1500	1429	1356
	75F	TC	5278	6527	8103	9163	10175	11138	12329	12796	13132	13697	14116	14286	14426	14808	15211
		Input	1504	1526	1534	1632	1674	1764	1841	1868	1885	1902	1940	1735	1548	1476	1396

**LEGEND**

DB --- Dry Bulb  
 TC --- Total Net Capacity (1000 Btu/hour)  
 Input --- Total Power (kW)



# Certificate of Product Ratings

AHRI Certified Reference Number : 207571386 Date : 08-29-2022 Model Status : Active

AHRI Type : HRCU-A-CB-O (Mini-Split Heat Pump, with Remote Outdoor Unit Air-Source, Free Delivery)

Outdoor Unit Brand Name : BLUERIDGE

Outdoor Unit Model Number : BMY9HH28C

Indoor Type : Mini-Splits (Non-Ducted)

Indoor Model Number(s) : BM09MCC

Rated as follows in accordance with the latest edition of AHRI 210/240 - 2017 with Addendum 1, Performance Rating of Unitary Air-Conditioning & Air-Source Heat Pump Equipment and subject to rating accuracy by AHRI-sponsored, independent, third party testing:

Cooling Capacity (A2) - Single or High Stage (95F), btuh : 9000

SEER : 20.50

EER (A2) - Single or High Stage (95F) : 13.00

Heating Capacity (H12) - Single or High Stage (47F) : 10000

HSPF (Region IV) : 10.80

Rated as follows in accordance with the latest edition of AHRI 210/240 – 2023, Performance Rating of Unitary Air-Conditioning & Air-Source Heat Pump Equipment and subject to rating accuracy by AHRI-sponsored, independent, third party testing:

Cooling Capacity (A<sub>Full</sub>) – Single or High Stage (95F), btuh : 9000

SEER2 : 20.50

EER2 (A<sub>Full</sub>) – Single or High Stage (95F) : 13.00

Heating Capacity (H1<sub>Full</sub>) – Single or High Stage (47F), btuh : 9800

HSPF2 (Region IV) : 10.30

Sold in? : USA, Canada

†'Active' Model Status are those that an AHRI Certification Program Participant is currently producing AND selling or offering for sale; OR new models that are being marketed but are not yet being produced. "Production Stopped" Model Status are those that an AHRI Certification Program Participant is no longer producing BUT is still selling or offering for sale.

Ratings that are accompanied by WAS indicate an involuntary re-rate. The new published rating is shown along with the previous (i.e. WAS) rating.

The Department of Energy has published updated energy efficiency metrics for central air conditioners and heat pumps. This publication reflects both the 1987 metric (SEER) and the 2023 metric (SEER2). Efficiency requirements are published at 10 C.F.R. 430.32(c). Please refer to [www.AHRInet.org](http://www.AHRInet.org) for more information about updated energy efficiency metrics.

#### DISCLAIMER

AHRI does not endorse the product(s) listed on this Certificate and makes no representations, warranties or guarantees as to, and assumes no responsibility for, the product(s) listed on this Certificate. AHRI expressly disclaims all liability for damages of any kind arising out of the use or performance of the product(s), or the unauthorized alteration of data listed on this Certificate. Certified ratings are valid only for models and configurations listed in the directory at [www.ahridirectory.org](http://www.ahridirectory.org).

#### TERMS AND CONDITIONS

This Certificate and its contents are proprietary products of AHRI. This Certificate shall only be used for individual, personal and confidential reference purposes. The contents of this Certificate may not, in whole or in part, be reproduced; copied; disseminated; entered into a computer database; or otherwise utilized, in any form or manner or by any means, except for the user's individual, personal and confidential reference.

#### CERTIFICATE VERIFICATION

The information for the model cited on this certificate can be verified at [www.ahridirectory.org](http://www.ahridirectory.org), click on "Verify Certificate" link and enter the AHRI Certified Reference Number and the date on which the certificate was issued, which is listed above, and the Certificate No., which is listed at bottom right.

©2022 Air-Conditioning, Heating, and Refrigeration Institute



we make life better™

**CERTIFICATE NO.:**

133062580628673038



ENERGY STAR CERTIFIED

# Heat Pumps (Mini-Split)

: BMY9HH28C

## Specifications

ENERGY STAR Unique ID:	2448928
Outdoor Unit Brand Name:	BLUERIDGE
Series Name:	BM series
Outdoor Unit Model Number:	BMY9HH28C
Indoor Unit Model Number:	BM09MCC
Indoor Unit Brand Name:	BLUERIDGE
SEER2 (Btu/Wh):	20.5
Product Type:	HP - Mini or Multi Split
EER2 (Btu/Wh):	13.0
HSPF2 (Btu/Wh):	10.3
COP at 5°F:	1.8
Cooling Capacity (Btu/h):	9000
Heating Capacity at 47°F (Btu/h):	9800
Heating Capacity at 5°F (Btu/h):	10000
Cold Climate:	Yes
Connected Capable:	No
Meets Peak Cooling Requirements:	Yes
Tax Credit Eligible:	Yes
Refrigerant with GWP:	R-410A (GWP:2088)
ENERGY STAR Most Efficient:	No

Captured On:  
04/10/2023