

R454b Refrigerant

SUBMITTAL DATA SHEET

Air Handler Heat Pump System

| | |
|---------------|---------------|
| Location: | Approval: |
| Engineer: | Date: |
| Submitted to: | Construction: |
| Submitted by: | Unit #: |
| Reference: | Drawing #: |



INDOOR SPECIFICATION

| | | |
|-------------------|------|--------------------------|
| Dimension (WxDxH) | inch | 21 x 21 x 24 |
| | mm | 534 x 533 x 611 |
| Package (WxDxH) | inch | 20-1/2 x 26-1/8 x 26-3/8 |
| | mm | 610 x 665 x 685 |
| Net/Gross Weight | lbs | 64 / 74 |
| | kg | 29.2 / 33.6 |

OUTDOOR SPECIFICATION

| | | |
|------------------------------|--------------|--------------------------|
| Compressor Type | ROTARY | |
| Compressor Model | KTF310D43UMT | |
| Refrigerant | R454B | |
| Refrigerant Oil Charge(mL) | 1,000 | |
| Refrigerant Oil | VG74 | |
| Outdoor Air Flow (Max) (CFM) | 2,413 | |
| Outdoor Noise Level (dBA) | 63 | |
| Dimension (WxDxH) | inch | 37-1/4 x 16-1/8 x 31-7/8 |
| | mm | 946 x 410 x 810 |
| Package (WxDxH) | inch | 42-7/8 x 19-5/8 x 34-7/8 |
| | mm | 1090 x 500 x 885 |
| Net/Gross Weight | lbs | 153 /164 |
| | kg | 69.5 / 74.2 |

EFFICIENCY

| Cooling | | Heating | |
|---------|------|---------|------|
| SEER2 | 14.7 | HSPF2-4 | 9.0 |
| EER2 | 9.6 | COP | 3.40 |

PERFORMANCE of Cooling

| Cooling (Btu/hr) | |
|---------------------------------|---|
| Rated Capacity | 36,000 |
| Min/Max Capacity | 10,400~38,800 |
| Moisture Removal(L/h) | 4 |
| Standard Operating Range(°F/°C) | -13~122 (-25~50) |
| Rated Cooling Conditions: | Indoor: 80°F DB/67°F WB Outdoor: 95°F DB/75°F WB |

PERFORMANCE of Heating

| Heating (Btu/hr) | |
|---|---|
| 1. @ 47°F Rated | 36,000 |
| 2. @ 47°F Min/Max Capacity | 11,200~41,000 |
| 3. @ 17°F Rated | 24,800 |
| 4. @ 5°F Rated: Capacity / COP | 27,200/2.0 |
| 5. @ 5°F Max: Capacity | 29,000 |
| Standard Operating Range(°F/°C) | -13~75 (-25~24) |
| 1. Rated Heating Conditions: | Indoor: 70°F DB/60°F WB Outdoor: 47°F DB/43°F WB |
| 2. Rated Heating Conditions: | Indoor: 70°F DB/60°F WB Outdoor: 17°F DB/15°F WB |
| 3. Heating Conditions, Compressor Operating at Max. Frequency | Indoor: 70°F DB/60°F WB Outdoor: 5°F DB/5°F WB |

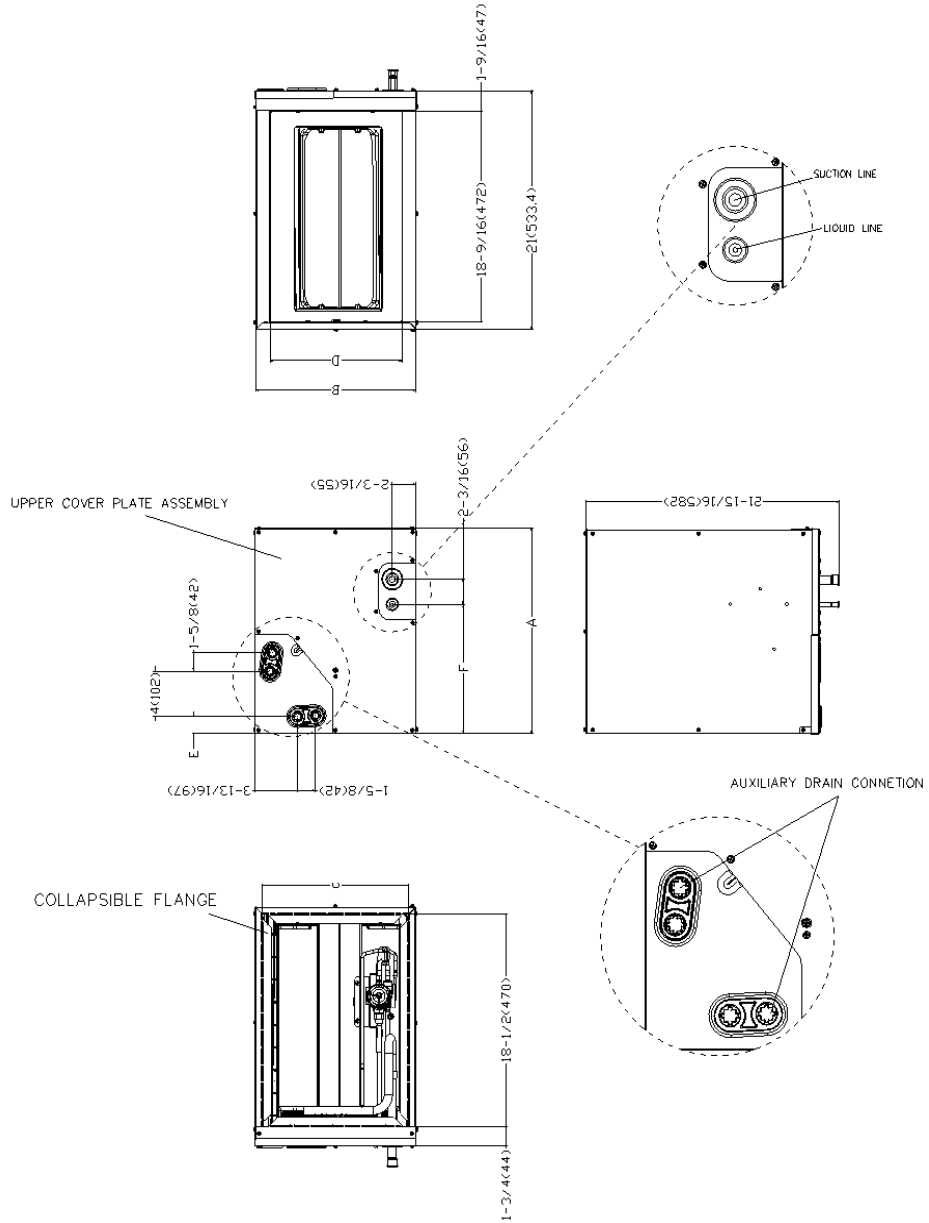
ELECTRICAL

| | |
|----------------------------------|--|
| Indoor Power Supply | 24V,60Hz,1Ph |
| Indoor MCA 115V/(208/230V) | / |
| Indoor MOP | / |
| Outdoor Power Supply | 208/230,60Hz,1Ph |
| Outdoor MCA | 24.0 |
| Outdoor MOP | 30.0 |
| Communication Wiring | AWG 20/2 |
| Compressor RLA | 17.5 |
| Outdoor Fan Motor RLA | 1.5 |
| Outdoor Fan Motor W | 120 |
| Indoor Fan Motor RLA | / |
| Indoor Fan Motor W | / |
| System Power Input @ Cooling (W) | 3,530 (630~3,600) |
| System Power Input @ Heating (W) | 3,103 (550~3,370) |
| MCA: Min. circuit amps (A) | MOPC: Max. over current protection (A) |
| RLA: Rated load amps (A) | W: Fan motor rated output (W) |

PIPING

| | |
|--|---------------|
| Throttle type(Indoor) | EXV |
| Throttle type(Outdoor) | EXV |
| Liquid Size | 3/8" (9.52mm) |
| Gas Size | 3/4" (19mm) |
| Max. Piping Length(ft/m) | 246 (75) |
| Max. Height Difference(ft/m) | 98.4 (30) |
| Max. Pre-charged Length(ft/m) | 25 (7.5) |
| Refrigerant Pre-charged Amount (oz/ft)(g/m) | 116 (3.3) |
| Additional Charge of Refrigerant((oz/ft)/(g/m) | 0.7 (65) |
| Connection Method | Flared |

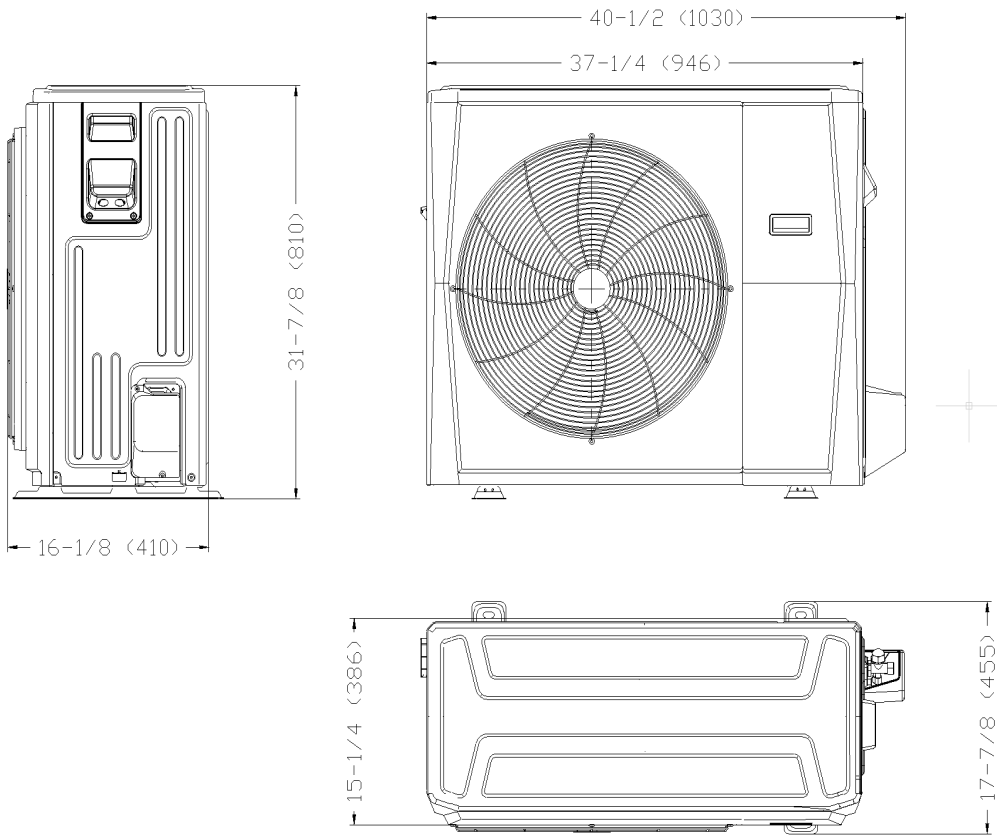
Indoor Unit Dimension



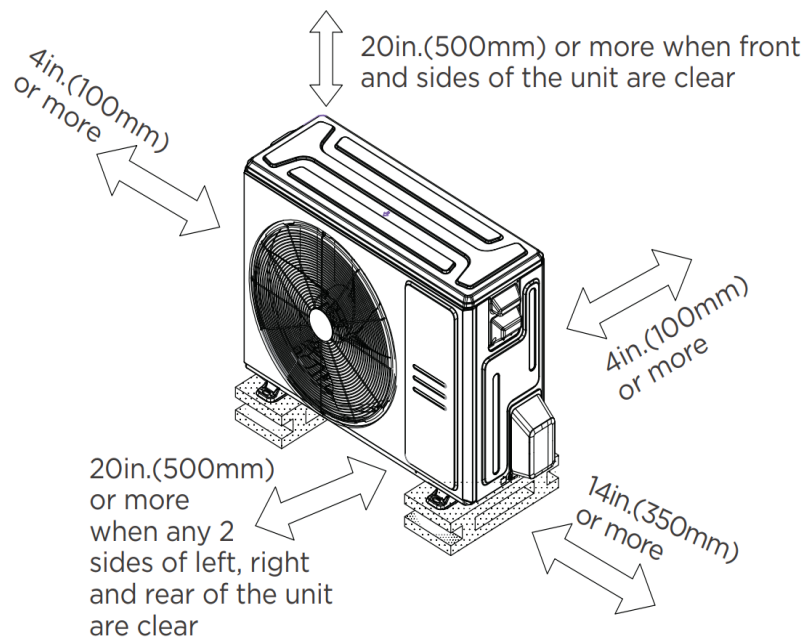
| Dimensions | | Model(Btu/h) | | 24-A | | 36-A | | 36-B | |
|------------|--------------------------|--------------|-----|----------|-----|----------|-----|------|--|
| | | inch | mm | inch | mm | inch | mm | | |
| A | Model Height | 18 | 457 | 23-5/16 | 592 | 23-1/2 | 599 | | |
| B | Model Width | 14-1/2 | 368 | 14-1/2 | 368 | 17-1/2 | 445 | | |
| C | Supply Air Opening Width | 13-1/4 | 336 | 13-1/4 | 336 | 16-3/16 | 411 | | |
| D | Return Air Opening Width | 11-15/16 | 303 | 11-15/16 | 303 | 14-15/16 | 380 | | |
| E | Condensate Drains Height | 1-7/16 | 38 | 1-7/16 | 38 | 1-7/16 | 38 | | |
| F | Liquid Line Height | 11-3/8 | 290 | 17-15/16 | 455 | 16-3/8 | 417 | | |
| Dimensions | | Model(Btu/h) | | 24-B | | 36-C | | | |
| | | inch | mm | inch | mm | | | | |
| A | Model Height | 18 | 457 | 24 | 611 | | | | |
| B | Model Width | 17-1/2 | 445 | 21 | 534 | | | | |
| C | Supply Air Opening Width | 16-3/16 | 411 | 19-3/4 | 502 | | | | |
| D | Return Air Opening Width | 14-15/16 | 380 | 18-7/16 | 468 | | | | |
| E | Condensate Drains Height | 1-7/16 | 38 | 2-3/16 | 55 | | | | |
| F | Liquid Line Height | 11-3/8 | 290 | 17-1/2 | 445 | | | | |

Outdoor Unit Dimension

Unit: inch(mm)



Installation Instruction For Outdoor Unit



Features

- Multi-position installation: horizontal(left or right), vertical(up or down)
- Aluminum Coil
- R454B refrigerant sensor
- Easy Maintenance
- Multiple control options available:
 - Two way communication wired controller with built-in WiFi:120N(X6W)
 - Third-Party 24V Thermostat