

SUBMITTAL DATA SHEET

Slim Duct Heat Pump System BXALA36CDH-BXL2A36UC0

Location:	Approval:
Engineer:	Date:
Submitted to:	Construction:
Submitted by:	Unit #:
Reference:	Drawing #:



INDOOR SPECIFICATION

Indoor Air Flow (Turbo/H/M/L/Si) (CFM)	1236.1 / 1059.5 / 941.8 / 765.2 / N/A	
Indoor Noise Level (Turbo/H/M/L/Si) (dBA)	N/A/45/40/34/31	
Indoor static pressure range(in.w.g.)	0-0.8	
Dimension (W×D×H)	inch	47.24 x 29.53 x 11.81
	mm	1200.0×750.0×300.0
Package (W×D×H)	inch	56.10 x 33.86 x 14.13
	mm	1425×860×359
Net/Gross Weight	lbs	106.26/120.37
	kg	48.2/54.6

OUTDOOR SPECIFICATION

Compressor Type	TWIN-ROTARY	
Compressor Model	EKPQ420D1UMUA	
Refrigerant	R454B	
Refrigerant Oil Charge(mL)	1460ml	
Refrigerant Oil	6.6	
Outdoor Air Flow (Max) (CFM)	3001.9	
Outdoor Noise Level (dBA)	65.0	
Dimension (W×D×H)	inch	38.58 x 16.34 x 38.39
	mm	980.0×415.0×975.0
Package (W×D×H)	inch	45.08 x 19.68 x 42.52
	mm	1145×500×1080
Net/Gross Weight	lbs	206.57/237.44
	kg	93.7/107.7

EFFICIENCY

Cooling		Heating	
SEER2	17.7	HSPF2-4	11.1
EER2	12.0	COP	3.80

PERFORMANCE of Cooling

Cooling (Btu/hr)	
Rated Capacity	36000
Min/Max Capacity	9800~37000
Moisture Removal(L/h)	3.00
Standard Operating Range(°F/°C)	-22~122(-30~50)
Conditions:	Indoor: 80°F DB/67°F WB Outdoor: 95°F DB/75°F WB

PERFORMANCE of Heating

Heating (Btu/hr)	
1. @ 47°F Rated	42000
1. @ 47°F Min/Max Capacity	11000~45500
2. @ 17°F Rated	31600
3. @ 5°F Rated: Capacity / COP	37600/2.10
3. @ 5°F Max: Capacity	37600
Standard Operating Range(°F/°C)	-22~75(-30~24)
1. Conditions:	Indoor: 70°F DB/60°F WB Outdoor: 47°F DB/43°F WB
2. Conditions:	Indoor: 70°F DB/60°F WB Outdoor: 17°F DB/15°F WB
3. Conditions	Indoor: 70°F DB/60°F WB Outdoor: 5°F DB/5°F WB

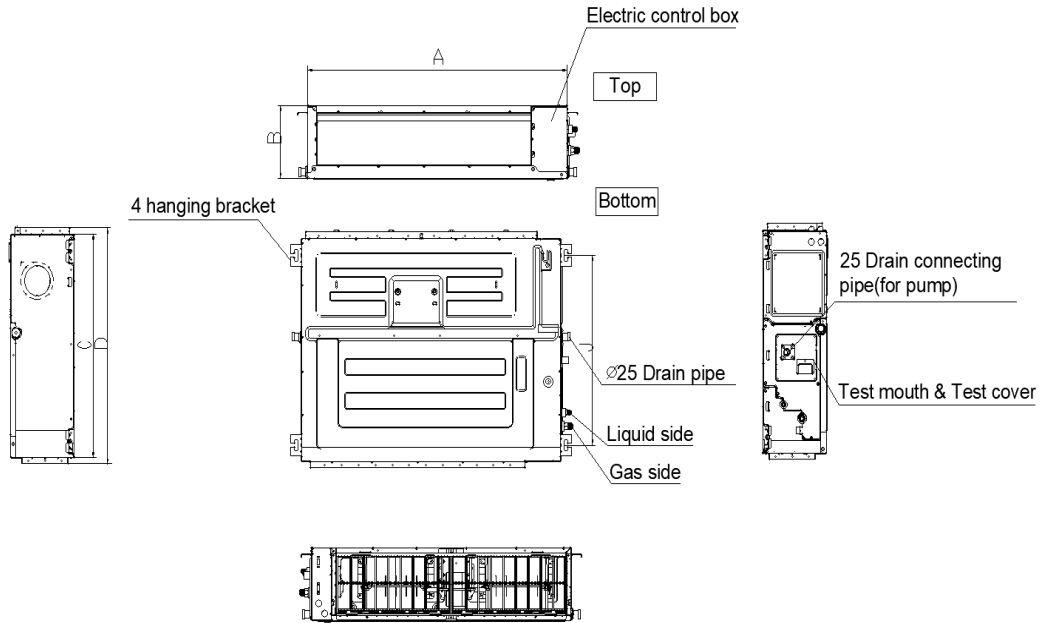
ELECTRICAL

Power Supply	208/230V,60Hz,1Ph
System MCA	38.00
Connection Wiring	14#x3
System MOCP	40
Compressor RLA	24.5
Outdoor Fan Motor RLA	2.1
Outdoor Fan Motor W	250
Indoor Fan Motor RLA	3.2
Indoor Fan Motor W	400
System Power Input @ Cooling (W)	3000(900 ~ 3680)
System Power Input @ Heating (W)	3240(680 ~3850)
MCA: Min. circuit amps (A)	MOCP: Max. over current protection (A)
RLA: Rated load amps (A)	W: Fan motor rated output (W)

PIPING

Throttle type(Indoor)	N/A
Throttle type(Outdoor)	EXV+Throttle valve
Liquid Size	9.52mm(3/8in)
Gas Size	19mm(3/4in)
Max. Piping Length(ft/m)	246.00(75)
Max. Height Difference(ft/m)	98.40(30)
Max. Pre-charged Length(ft/m)	24.6(7.5)
Refrigerant Pre-charged Amount(oz/kg)	126.99(3.60)
Additional Charge of Refrigerant((oz/ft)/(g/m))	0.32(30)
Connection Method	Flared

Indoor Unit Dimension

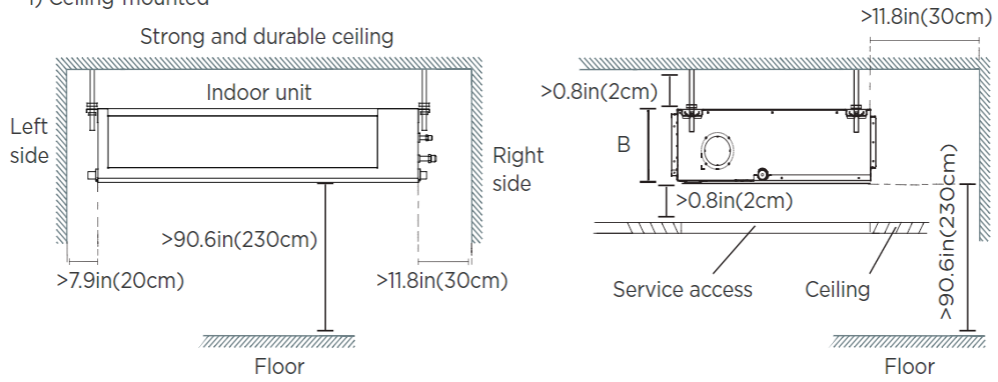


MODEL	A	B	C	D
9K	27-1/2in(700mm)	7-7/8in(200mm)	17-3/4(450mm)	20in(506mm)
12K	27-1/2in(700mm)	9-5/8in(245mm)	29-1/2(750mm)	31-1/4in(795mm)
18K~24K	39-3/8in(1000mm)	9-5/8in(245mm)	29-1/2(750mm)	31-1/4in(795mm)
36K~48K	47-1/8in(1200mm)	11-7/8in(300mm)	29-1/2(750mm)	31-1/4in(795mm)
60K	55-1/8in(1400mm)	15in(380mm)	31-1/2in(800mm)	33-1/4in(845mm)

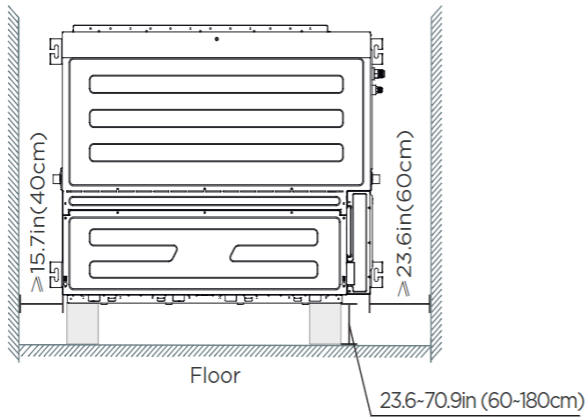
Installation place

The distance between the mounted indoor unit should meet the specifications illustrated in the following diagram.

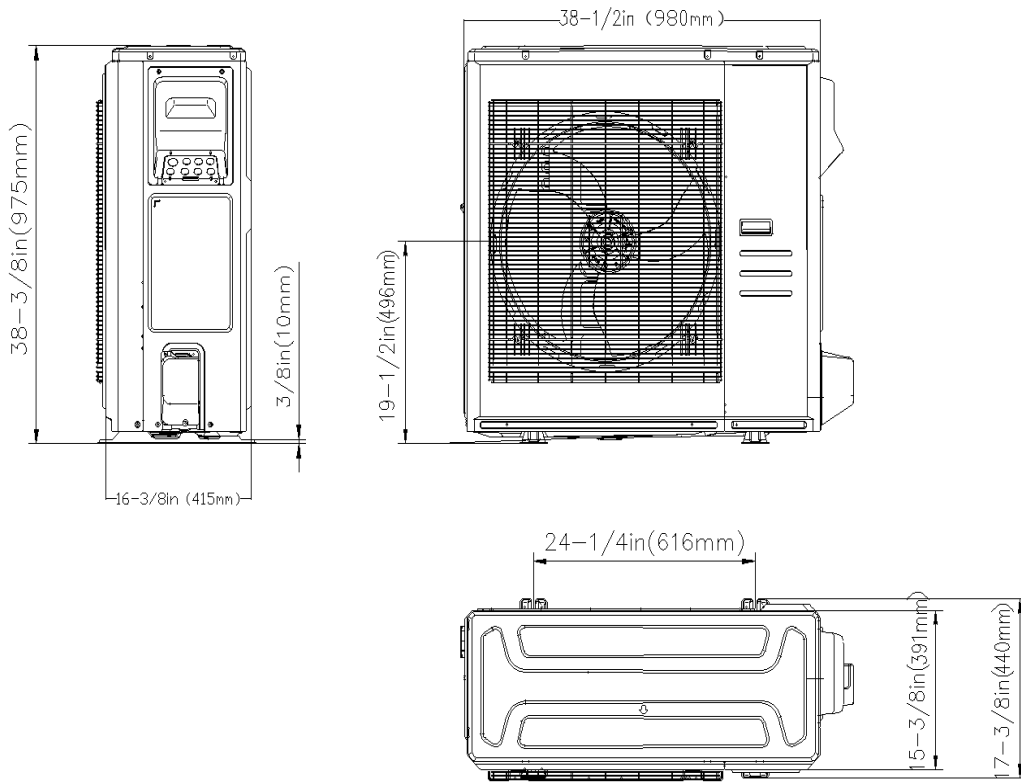
1) Ceiling-mounted



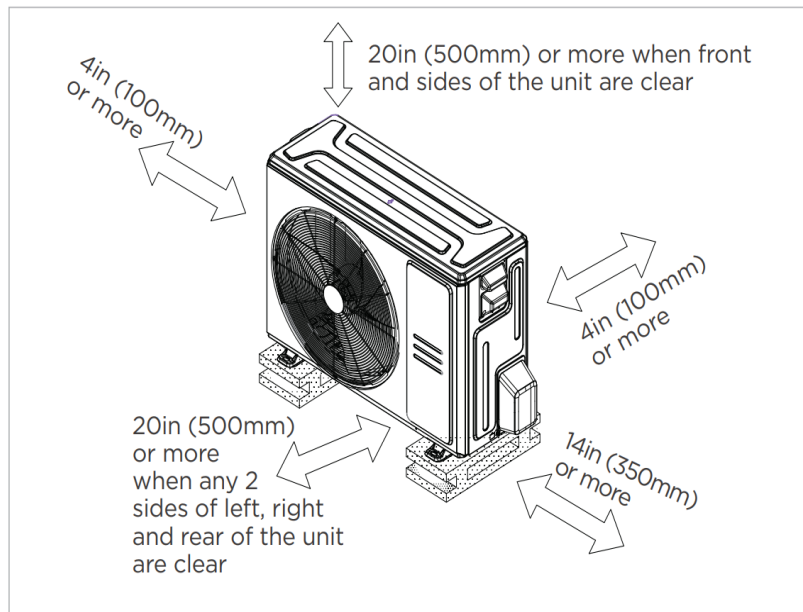
2) Wall-mounted



Outdoor Unit Dimension

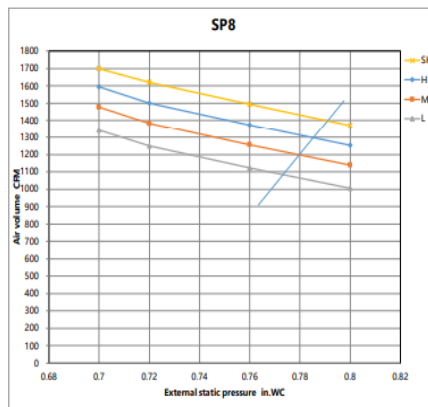
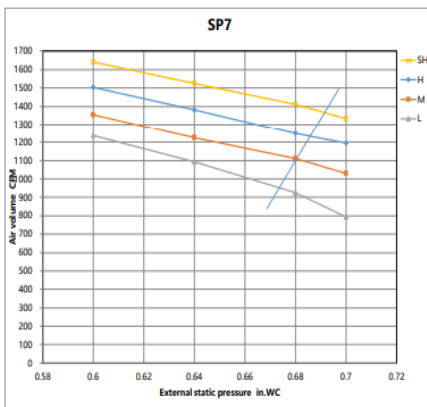
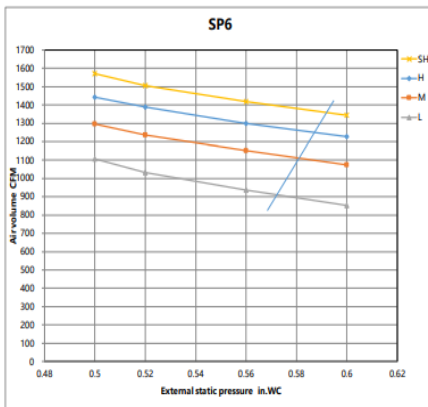
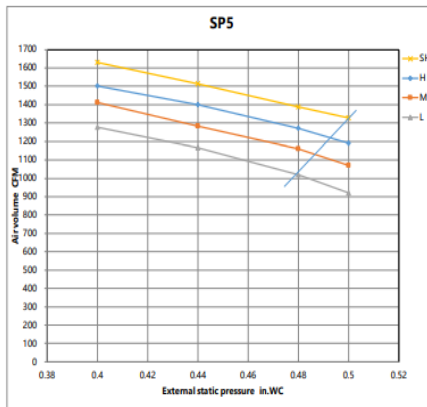
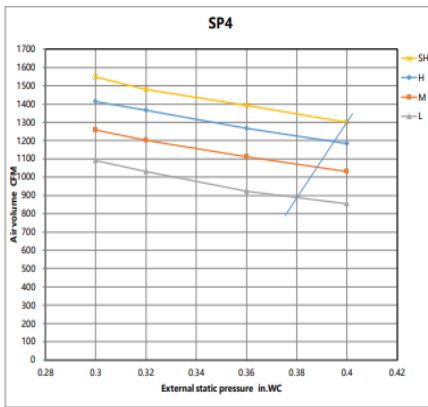
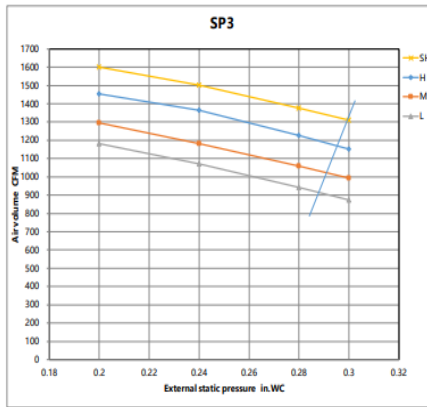
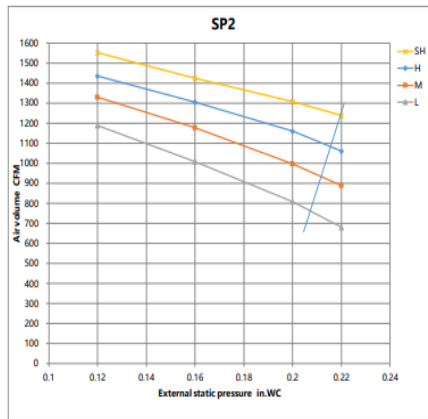
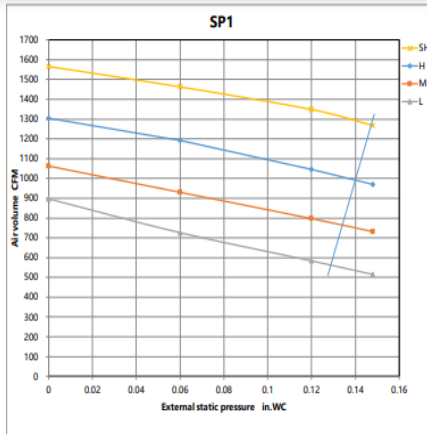


Installation Instruction

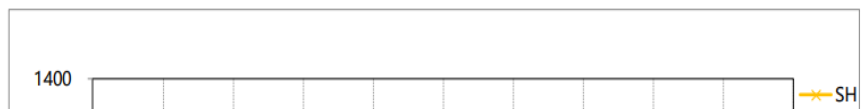


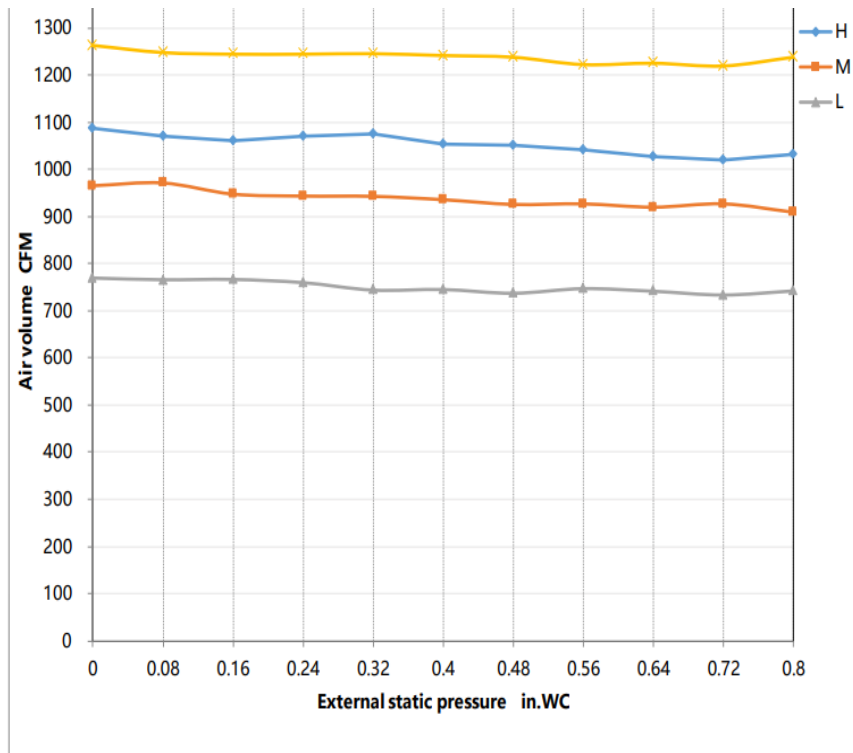
Meets all spatial requirements shown in Installation Clearance Requirements above.

Fan performance



Constant air volume





FEATURES

- Compatible with both horizontal and vertical installation
- Static pressure up to 0.8 in.w.g(for all models)
- Static pressure setting stages: 8
- Refrigerant leakage detection sensor
- Constant airflow
- Built-in pump
- i-clean
- Fan speed stages: 1~100%
- WiFi capability: through wired controller with built-in WiFi
- OTA(by using wired controller 120N(X6W))
- 2-pin connector(HA/HB) for programmable wired controller
- Multiple control options available:
 - Two way communication wired controller:120N(X6)
 - Two way communication wired controller with built-in WiFi:120N(X6W)
 - Infrared wired controller: 120L
 - Wireless remote controller
 - Third-Party 24V Thermostat*

*24V interface is required.