

# SUBMITTAL DATA SHEET

## Multi Zone Heat Pump System

Location:	Approval:
Engineer:	Date:
Submitted to:	Construction:
Submitted by:	Unit #:
Reference:	Drawing #:



### OUTDOOR SPECIFICATION

<b>Compressor Type</b>	TWIN-ROTARY	
<b>Compressor Model</b>	EKPQ420D1UMUA	
<b>Refrigerant</b>	R454B	
<b>Refrigerant Oil Charge(mL)</b>	1460	
<b>Refrigerant Oil</b>	VG75	
<b>Outdoor Air Flow (Max) (CFM)</b>	3037	
<b>Outdoor Noise Level (dBA)</b>	65	
<b>Dimension (WxDxH)</b>	inch	38.58 x 16.34 x 38.39
	mm	980x415x975
<b>Package (WxDxH)</b>	inch	45.08 x 19.68 x 42.52
	mm	1145x500x1080
<b>Net/Gross Weight</b>	lbs	211.86/244.71
	kg	96.1/111

### ELECTRICAL

<b>Power Supply</b>	208/230V,60Hz,1Ph
<b>System MCA</b>	37
<b>Connection Wiring</b>	AWG 14-4
<b>System MOCP</b>	40
<b>Compressor RLA</b>	20.5
<b>Outdoor Fan Motor RLA</b>	2.6
<b>Outdoor Fan Motor W</b>	250
<b>Indoor Fan Motor RLA</b>	/
<b>Indoor Fan Motor W</b>	/
<b>System Power Input @ Cooling (W)</b>	2750/(600 ~ 4000)
<b>System Power Input @ Heating (W)</b>	2638/(600 ~3750)
<b>MCA: Min. circuit amps (A)</b>	<b>MOCP: Max. over current protection (A)</b>
<b>RLA: Rated load amps (A)</b>	<b>W: Fan motor rated output (W)</b>

### EFFICIENCY

Cooling		Heating	
<b>SEER2</b>	23.0	<b>HSPF2-4</b>	10.7
<b>EER2</b>	13	<b>COP</b>	4.0

### PERFORMANCE of Cooling

Cooling (Btu/hr)	
<b>Rated Capacity</b>	36000
<b>Min/Max Capacity</b>	9000~43000
<b>Moisture Removal(L/h)</b>	2
<b>Standard Operating Range(°F/°C)</b>	-22~122/(-30~50)
<b>Rated Cooling Conditions:</b>	Indoor: 80°F DB/67°F WB Outdoor: 95°F DB/75°F WB

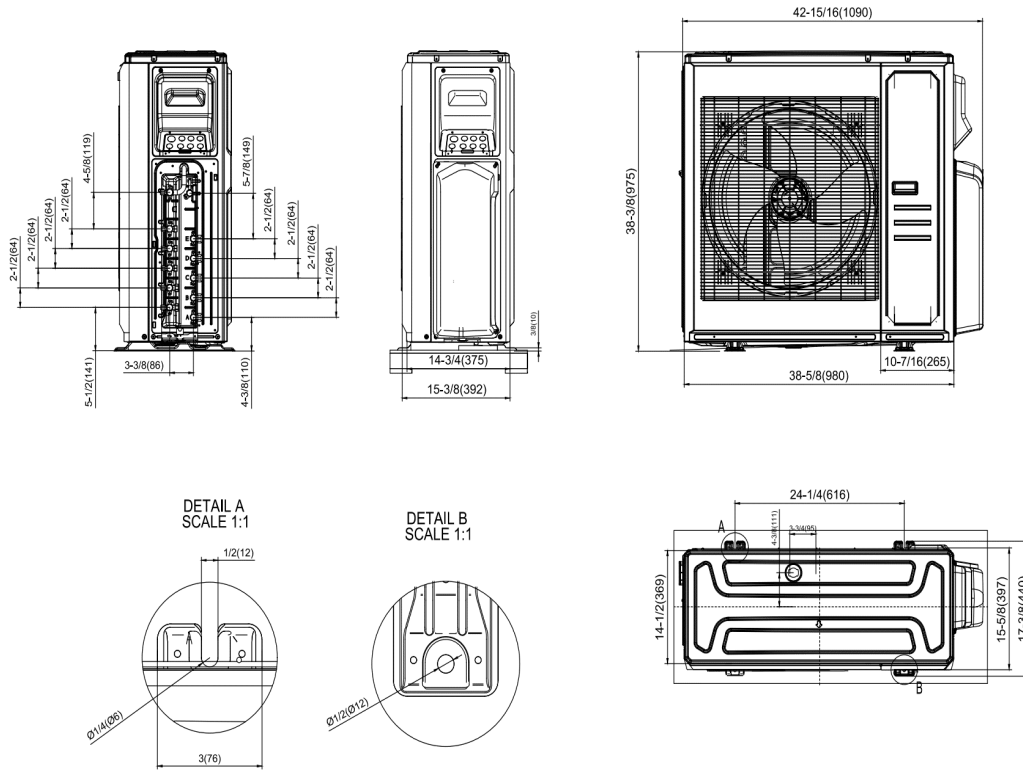
### PERFORMANCE of Heating

Heating (Btu/hr)	
<b>1. @ 47°F Rated</b>	36000
<b>1. @ 47°F Min/Max Capacity</b>	10000~44000
<b>2. @ 17°F Rated(H32)</b>	30000
<b>3. @ 5°F Rated: Capacity / COP(H42)</b>	36000/2
<b>3. @ 5°F Max: Capacity</b>	36000
<b>Standard Operating Range(°F/°C)</b>	-22~75/(-30~24)
<b>1. Conditions:</b>	Indoor: 70°F DB/60°F WB Outdoor: 47°F DB/43°F WB
<b>2. Conditions:</b>	Indoor: 70°F DB/60°F WB Outdoor: 17°F DB/15°F WB
<b>3. Conditions</b>	Indoor: 70°F DB/60°F WB Outdoor: 5°F DB/5°F WB

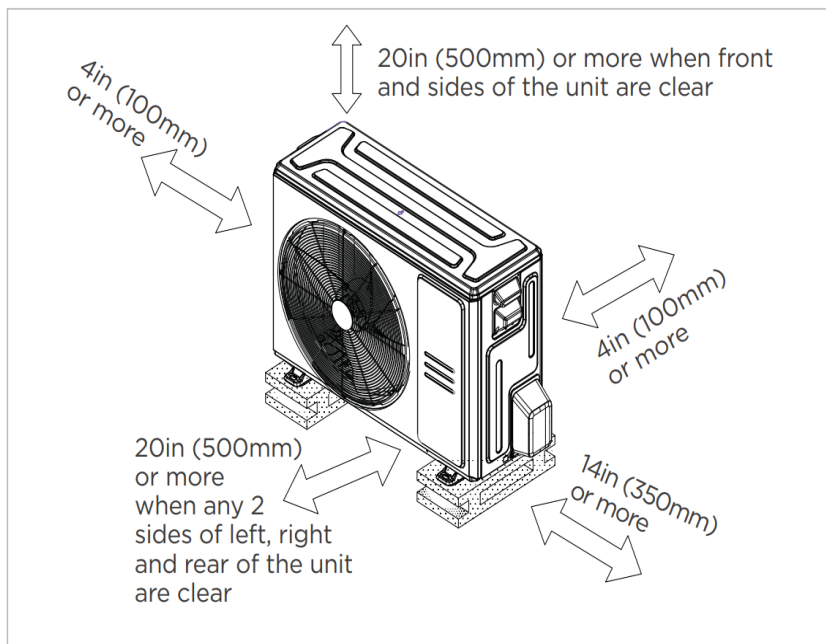
### PIPING

<b>Liquid Size</b>	5x6.35mm(5x1/4in)
<b>Gas Size</b>	3x9.52mm+2x12.7mm(3x3/8in+2x1/2in)
<b>Max. Piping Length for all rooms(ft/m)</b>	262.4/(80)
<b>Max. Piping Length for one IDU(ft/m)</b>	114.8/(35)
<b>Max. Height Difference of IDU and ODU(ft/m)</b>	49.2/(15)
<b>Refrigerant Pre-charged Amount(oz/kg)</b>	134.04/(3.8)
<b>Refrigerant Precharge Length(ft/m)</b>	24.6(7.5)x5
<b>Additional Charge of Refrigerant (Φ6.35 (1/4") liquid pipe) ((oz/ft)/(g/m))</b>	0.16/(15)
<b>Additional Charge of Refrigerant (Φ9.52 (3/8") liquid pipe) ((oz/ft)/(g/m))</b>	0.32(30)
<b>Connection Method</b>	Flared

Outdoor Unit Dimension



Installation Instruction



Meets all spatial requirements shown in Installation Clearance Requirements above.