

SUBMITTAL DATA SHEET

One Way Cassette Heat Pump System BXAFA09CC1-BXS5A09UC0

Location:	Approval:
Engineer:	Date:
Submitted to:	Construction:
Submitted by:	Unit #:
Reference:	Drawing #:



INDOOR SPECIFICATION

Indoor Air Flow (Turbo/H/M/L/Si) (CFM)	341.4 / 294.3 / 259.0 / 235.4 / N/A	
Indoor Noise Level (Turbo/H/M/L/Si) (dBA)	N/A/38/36/33/24	
Dimension (W×D×H)	inch	50.31 x 13.19 x 8.98
	mm	1278.0×335.0×228.0
Package (W×D×H)	inch	57.60 x 22.48 x 22.64
	mm	1463×571×575
Net/Gross Weight	lbs	45.19/82.45
	kg	20.5/37.4

OUTDOOR SPECIFICATION

Compressor Type	ROTARY	
Compressor Model	KTN110D42UFZ	
Refrigerant	R454B	
Refrigerant Oil Charge(mL)	350	
Refrigerant Oil	VG74	
Outdoor Air Flow (Max) (CFM)	1471.5	
Outdoor Noise Level (dBA)	54.5	
Dimension (W×D×H)	inch	31.69 x 12.99 x 21.81
	mm	805.0×330.0×554.0
Package (W×D×H)	inch	36.02 x 14.57 x 24.21
	mm	915×370×615
Net/Gross Weight	lbs	72.75/78.70
	kg	33/35.7

EFFICIENCY

Cooling		Heating	
SEER2	24.0	HSPF2-4	12.1
EER2	14.6	COP	3.71

PERFORMANCE of Cooling

Cooling (Btu/hr)	
Rated Capacity	9000
Min/Max Capacity	4000~12900
Moisture Removal(L/h)	0.98
Standard Operating Range(℉/℃)	-22~122(-30~50)
Conditions:	Indoor: 80℉ DB/67℉ WB Outdoor: 95℉ DB/75℉ WB

PERFORMANCE of Heating

Heating (Btu/hr)	
1. @ 47℉ Rated	10900
1. @ 47℉ Min/Max Capacity	3800~13900
2. @ 17℉ Rated	9000
3. @ 5℉ Rated: Capacity / COP	10600/1.83
3. @ 5℉ Max: Capacity	10600
Standard Operating Range(℉/℃)	-22~75(-30~24)
1. Conditions:	Indoor: 70℉ DB/60℉ WB Outdoor: 47℉ DB/43℉ WB
2. Conditions:	Indoor: 70℉ DB/60℉ WB Outdoor: 17℉ DB/15℉ WB
3. Conditions:	Indoor: 70℉ DB/60℉ WB Outdoor: 5℉ DB/5℉ WB

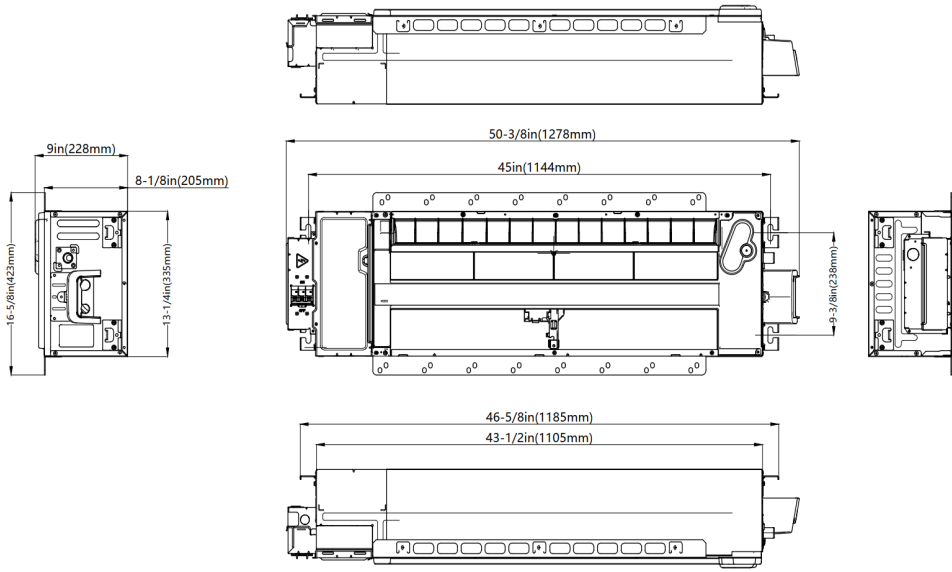
ELECTRICAL

Power Supply	208/230V,60Hz,1Ph	
System MCA	15.00	
Connection Wiring	14#x4	
System MOCP	15	
Compressor RLA	10.4	
Outdoor Fan Motor RLA	0.6	
Outdoor Fan Motor W	34	
Indoor Fan Motor RLA	0.8	
Indoor Fan Motor W	30	
System Power Input @ Cooling (W)	610(147 ~ 1150)	
System Power Input @ Heating (W)	860(300 ~1350)	
MCA: Min. circuit amps (A)	MOCP: Max. over current protection (A)	
RLA: Rated load amps (A)	W: Fan motor rated output (W)	

PIPING

Throttle type(Indoor)	N/A	
Throttle type(Outdoor)	EXV	
Liquid Size	6.35mm(1/4in)	
Gas Size	9.52mm(3/8in)	
Max. Piping Length(ft/m)	82.02(25)	
Max. Height Difference(ft/m)	49.21(15)	
Max. Pre-charged Length(ft/m)	24.6(7.5)	
Refrigerant Pre-charged Amount(oz/kg)	35.27(1.00)	
Additional Charge of Refrigerant((oz/ft)/(g/m))	0.16(15)	
Connection Method	Flared	

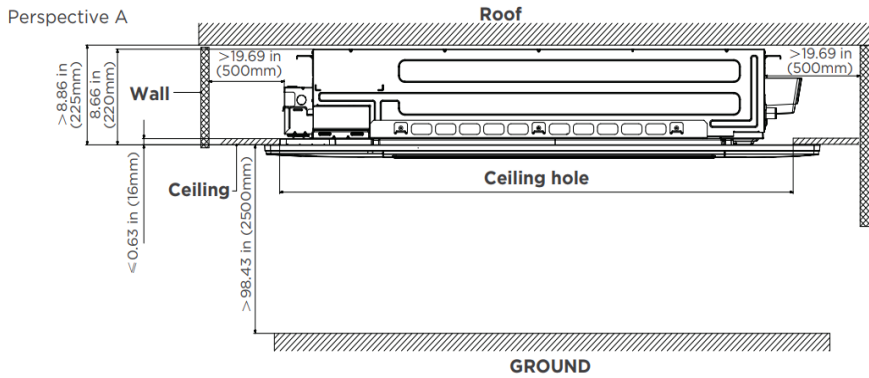
Indoor Unit Dimension



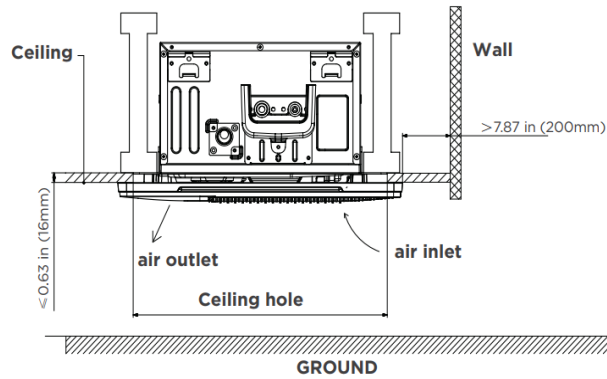
Installation Instruction

Installation place

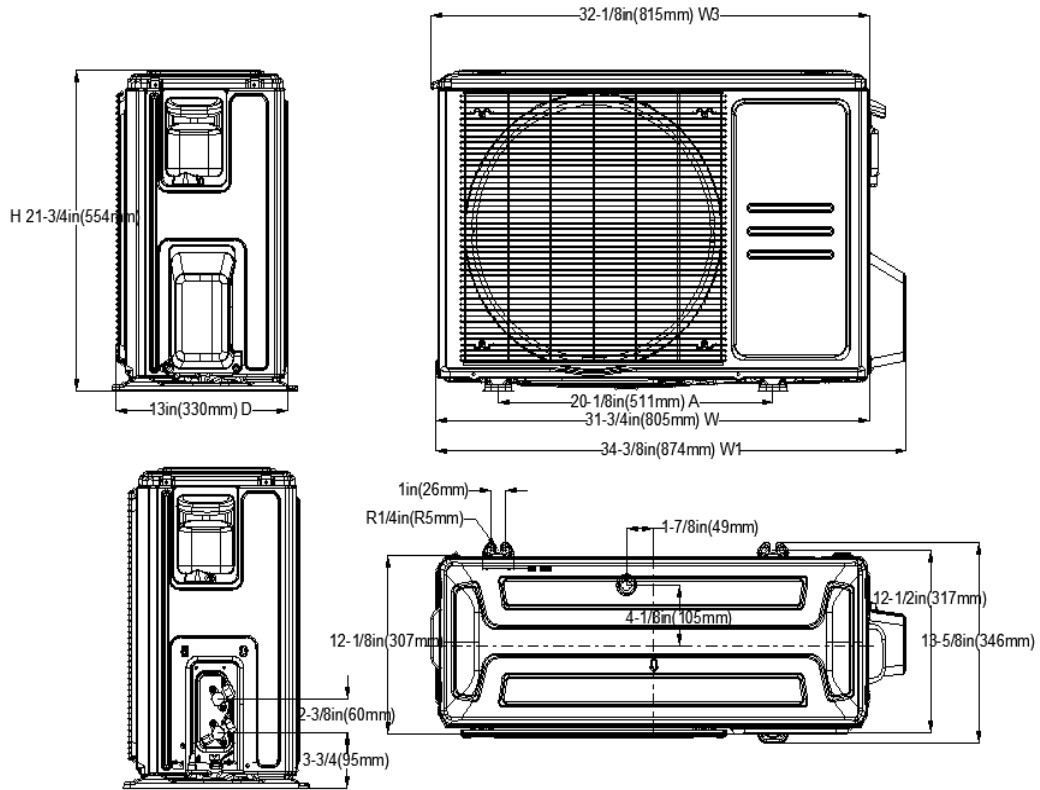
(unit: inch/mm)



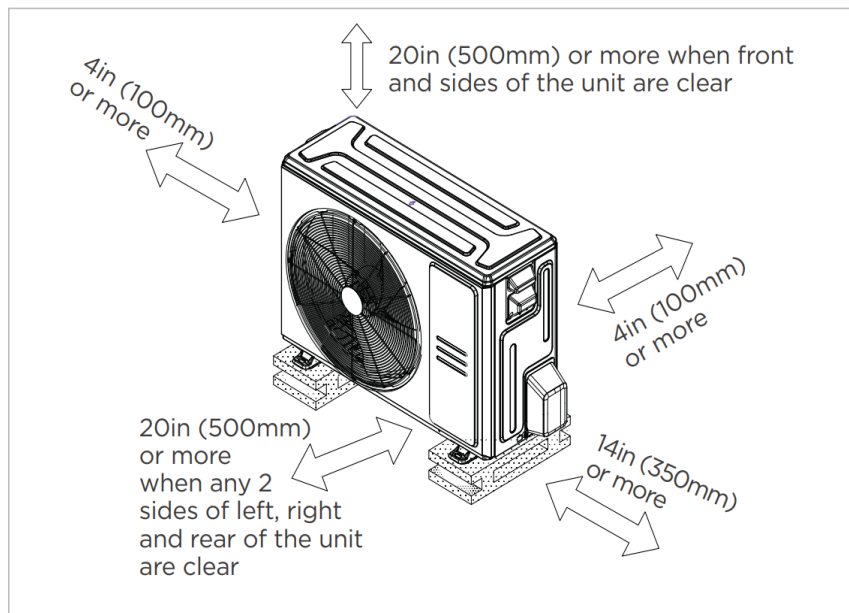
Perspective B



Outdoor Unit Dimension



Installation Instruction



- Meets all spatial requirements shown in Installation Clearance Requirements above.

FEATURES

- Designed to fit between both I-joint spacing and traditional joist spacing
- Elevation panel
- Refrigerant leakage detection sensor(Optional)
- Humidity sensor
- Built-in pump
- Built-in circuit breaker
- 1~100% fan speed setting
- WiFi capability: through WiFi dongle or wired controller with built-in WiFi
- OTA(by using WiFi dongle)
- 2-pin connector(HA/HB) for programmable wired controller
- Multiple control options available:
 - Two way communication wired controller:120N(X6)
 - Two way communication wired controller with built-in WiFi:120N(X6W)
 - Infrared wired controller: 120L
 - Wireless remote controller
 - Third-Party 24V Thermostat*

*24V interface is required.