

SUBMITTAL DATA SHEET



Multi Zone Heat Pump	
Location: _____ Engineer: _____ Submitted to: _____ Submitted by: _____ Reference: _____	Approval: _____ Date: _____ Construction: _____ Unit #: _____ Drawing #: _____

Outdoor unit code	22022316001165		
Outdoor unit model	BMM48HHC Mixed ducted and ductless indoor units		
Certified	AHRI		
	UL		



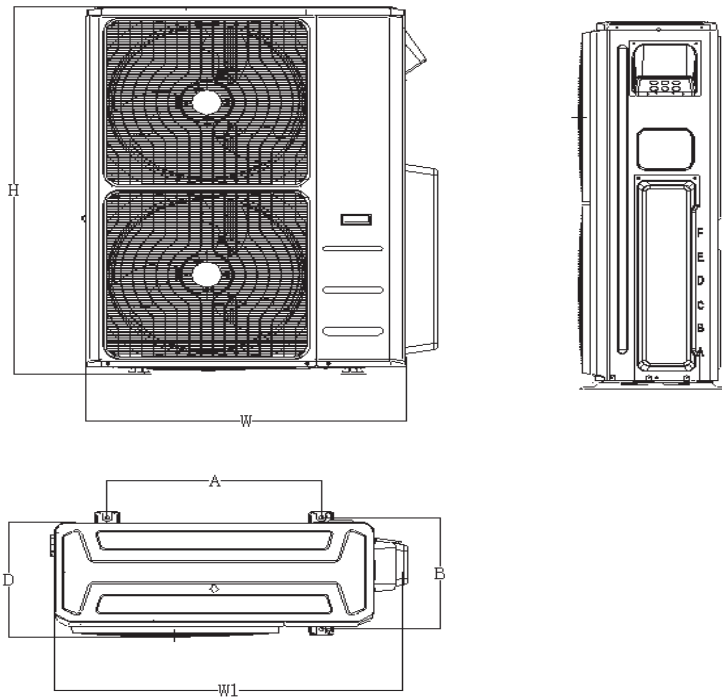
SYSTEM PERFORMANCE DATA			
Power supply			
Normal Operational Voltage	(V, Ph, Hz)	208/230V,1Ph, 60Hz	
Voltage Range	(V)	187-253	
Electrical			
Minimum circuit ampacity	(A)	42.0	
Max.fuse	(A)	50.0	
Connection wiring		14AWG*4 Stranded, unshielded	
Cooling			
Capacity	(Btu/h)	47500(15600~49750)	
Power Input	(W)	4192(825~4735)	
Current	(A)	19.01(6..0~20.1)	
SEER2	(Btu/W)	21.05	
EER2	(Btu/W)	11.35	
Heating			
Capacity	(Btu/h)	49000(18200~60500)	
Power Input	(W)	4000(1165~5535)	
Current	(A)	18.1(6.75~24.4)	
HSPF2-4	(Btu/W)	9.45	
COP	W/W	3.50	
Heat at 17F(H32)	(Btu/h)	37400	
Heat at 5F(H42)	(Btu/h)	43500	
COP at 5F(H42)	W/W	2.00	

Outdoor(cooling)	(Deg. °F)	5~122
	(Deg. °C)	-15~50
Outdoor(heating)	(Deg. °F)	-22~75
	(Deg. °C)	-30~24

REFRIGERANT PIPE DATA		
Design pressure	(PSIG)	550/340
Refrigerant Type		R410A
Refrigerant charge	oz	162.0
Refrigerant precharge	(ft)	25x5
Additional charge for each ft (Φ6. 35 (1/4") liquid pipe)	(oz/ft)	0.16
Additional charge for each ft (Φ9. 52 (3/8") liquid pipe)	(oz/ft)	0.32
Liquid side	(inch)	5x1/4"
	(mm)	5x6.35
Gas side	(inch)	3x3/8"+2x1/2"
	(mm)	3x9.52+2x12.7
Max. length for all rooms	(ft)	262.5
	(m)	80.0
Max. length for one indoor unit	(ft)	114.8
	(m)	35.0
Max. height difference between indoor and outdoor unit	(ft)	49.2
	(m)	15.0
Max. height difference between indoor units	(ft)	33.0
	(m)	10.0

OUTDOOR UNIT DATA		
Compressor		
Type		ROTARY
Model		EAPQ420D1UMUA
Brand		GMCC
Capacity	(Btu/h)	44015
Input	(W)	3565
Rated current (RLA)	(A)	30
Refrigerant oil/oil charge	(ml)	1460±15mlESTER OIL VG74
Outdoor fan motor		
Model		ZKFN-85-8-22-5
Qty		2
Input	(W)	126.00
Output	(W)	85.00
RLA	(A)	1.00
Speed	(r/min)	900/850/800/750
Air flow & Noise level		
Outdoor air flow (Max.)	(CFM)	4500.00
Outdoor noise level	[dB(A)]	64.00
Outdoor unit		
Dimension (W×D×H)	(inch)	37.48x16.34x52.48
	(mm)	952x415x1333
Packing (W×D×H)	(inch)	43.11x19.49x58.27
	(mm)	1095x495x1480
Net/ Gross weight	(lbs.)	238.32/269.84
	(kg)	108.1/122.4

Outdoor unit dimension



Unit	W	D	H	W1	A	B
mm	952	415	1333	1060	634	404
inch	37.5	16.3	52.5	41.7	25.0	15.9