

SUBMITTAL DATA SHEET

Multi Zone Heat Pump System

Location:	Approval:
Engineer:	Date:
Submitted to:	Construction:
Submitted by:	Unit #:
Reference:	Drawing #:



OUTDOOR SPECIFICATION

Compressor Type	ROTARY	
Compressor Model	KTQ420D1UMU	
Refrigerant	R454B	
Refrigerant Oil Charge(mL)	1400	
Refrigerant Oil	V74	
Outdoor Air Flow (Max) (CFM)	4503	
Outdoor Noise Level (dBA)	63	
Dimension (W×D×H)	inch	37.48 x 16.34 x 52.48
	mm	952×415×1333
Package (W×D×H)	inch	43.11 x 19.49 x 58.27
	mm	1095×495×1480
Net/Gross Weight	lbs	222.00/254.19
	kg	100.7/115.3

ELECTRICAL

Power Supply	208/230V,60Hz,1Ph
System MCA	40
Connection Wiring	AWG 14-4
System MOCP	45
Compressor RLA	24
Outdoor Fan Motor RLA	2.5
Outdoor Fan Motor W	85
Indoor Fan Motor RLA	/
Indoor Fan Motor W	/
System Power Input @ Cooling (W)	3764/(800 ~ 5800)
System Power Input @ Heating (W)	3702/(800 ~ 5200)
MCA: Min. circuit amps (A)	MOCP: Max. over current protection (A)
RLA: Rated load amps (A)	W: Fan motor rated output (W)

EFFICIENCY

Cooling		Heating	
SEER2	24.0	HSPF2-4	10.3
EER2	12.5	COP	3.8

PERFORMANCE of Cooling

Cooling (Btu/hr)	
Rated Capacity	47000
Min/Max Capacity	12000~55000
Moisture Removal(L/h)	3.3
Standard Operating Range(℉/℃)	-13~-122/(-25~-50)
Rated Cooling Conditions:	Indoor: 80℉ DB/67℉ WB Outdoor: 95℉ DB/75℉ WB

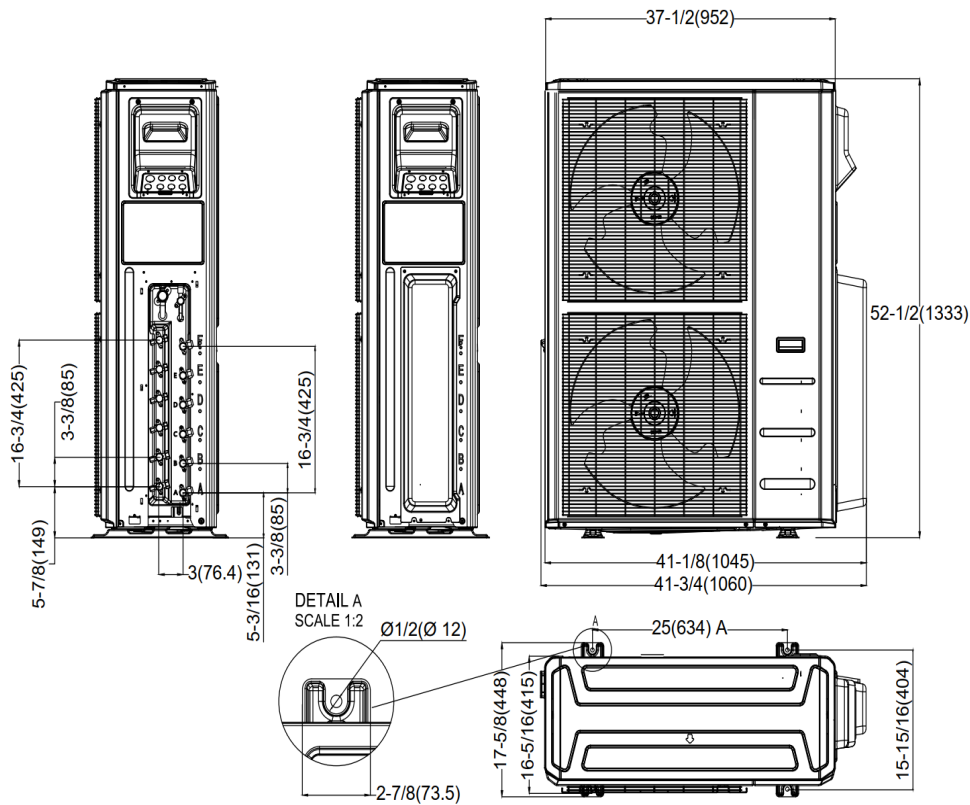
PERFORMANCE of Heating

Heating (Btu/hr)	
1. @ 47℉ Rated	48000
1. @ 47℉ Min/Max Capacity	13000~53000
2. @ 17℉ Rated(H32)	38000
3. @ 5℉ Rated: Capacity / COP(H42)	36000/2
3. @ 5℉ Max: Capacity	36000
Standard Operating Range(℉/℃)	-13~75/(-25~24)
1. Conditions:	Indoor: 70℉ DB/60℉ WB Outdoor: 47℉ DB/43℉ WB
2. Conditions:	Indoor: 70℉ DB/60℉ WB Outdoor: 17℉ DB/15℉ WB
3. Conditions	Indoor: 70℉ DB/60℉ WB Outdoor: 5℉ DB/5℉ WB

PIPING

Liquid Size	6x6.35mm(6x1/4in)
Gas Size	4x9.52mm+2x12.7mm(4x3/8in+2x1/2in)
Max. Piping Length for all rooms(ft/m)	262.4/(80)
Max. Piping Length for one IDU(ft/m)	114.8/(35)
Max. Height Difference of IDU and ODU(ft/m)	49.2/(15)
Refrigerant Pre-charged Amount(oz/kg)	148.15/(4.2)
Refrigerant Precharge Length(ft/m)	24.6(7.5)x6
Additional Charge of Refrigerant (Φ6.35 (1/4") liquid pipe) ((oz/ft)/(g/m))	0.16/(15)
Additional Charge of Refrigerant (Φ9.52 (3/8") liquid pipe) ((oz/ft)/(g/m))	0.32/(30)
Connection Method	Flared

Outdoor Unit Dimension



Installation Instruction

