

# SUBMITTAL DATA SHEET

## 4-Way Cassette Regular System BXALA48CC4-BXL1A48SC0

Location:	Approval:
Engineer:	Date:
Submitted to:	Construction:
Submitted by:	Unit #:
Reference:	Drawing #:



### INDOOR SPECIFICATION

<b>Indoor Air Flow (Turbo/H/M/L/Si) (CFM)</b>	1236.1 / 1124.2 / 1018.3 / 800.5 / 688.7	
<b>Indoor Noise Level (Turbo/H/M/L/Si) (dBA)</b>	56.0/52.5/50.0/42.5/38.50	
<b>Dimension (W×D×H)</b>	inch	32.68 x 32.68 x 11.30
	mm	830.0×830.0×287.0
<b>Package (W×D×H)</b>	inch	35.83 x 35.83 x 12.99
	mm	910×910×330
<b>Net/Gross Weight</b>	lbs	64.59/76.06
	kg	29.3/34.5

### OUTDOOR SPECIFICATION

<b>Compressor Type</b>	ROTARY	
<b>Compressor Model</b>	KTQ420D1UMU	
<b>Refrigerant</b>	R454B	
<b>Refrigerant Oil Charge(mL)</b>	1400	
<b>Refrigerant Oil</b>	3700	
<b>Outdoor Air Flow (Max) (CFM)</b>	4237.9	
<b>Outdoor Noise Level (dBA)</b>	62.5	
<b>Dimension (W×D×H)</b>	inch	37.48 x 16.34 x 52.48
	mm	952.0×415.0×1333.0
<b>Package (W×D×H)</b>	inch	43.11 x 19.49 x 57.48
	mm	1095×495×1460
<b>Net/Gross Weight</b>	lbs	208.78/239.86
	kg	94.7/108.8

### EFFICIENCY

Cooling		Heating	
<b>SEER2</b>	19	<b>HSPF2-4</b>	9.9
<b>EER2</b>	9.5	<b>COP</b>	2.96

### PERFORMANCE of Cooling

Cooling (Btu/hr)	
<b>Rated Capacity</b>	48000
<b>Min/Max Capacity</b>	10600~50400
<b>Moisture Removal(L/h)</b>	6.27
<b>Standard Operating Range(°F/°C)</b>	-13~122(-25~50)
<b>Conditions:</b>	Indoor: 80°F DB/67°F WB Outdoor: 95°F DB/75°F WB

### PERFORMANCE of Heating

Heating (Btu/hr)	
<b>1. @ 47°F Rated</b>	50000
<b>1. @ 47°F Min/Max Capacity</b>	19900~61700
<b>2. @ 17°F Rated</b>	36600
<b>3. @ 5°F Rated: Capacity / COP</b>	40500/2.11
<b>3. @ 5°F Max: Capacity</b>	40500
<b>Standard Operating Range(°F/°C)</b>	-13~75(-25~24)
<b>1. Conditions:</b>	Indoor: 70°F DB/60°F WB Outdoor: 47°F DB/43°F WB
<b>2. Conditions:</b>	Indoor: 70°F DB/60°F WB Outdoor: 17°F DB/15°F WB
<b>3. Conditions</b>	Indoor: 70°F DB/60°F WB Outdoor: 5°F DB/5°F WB

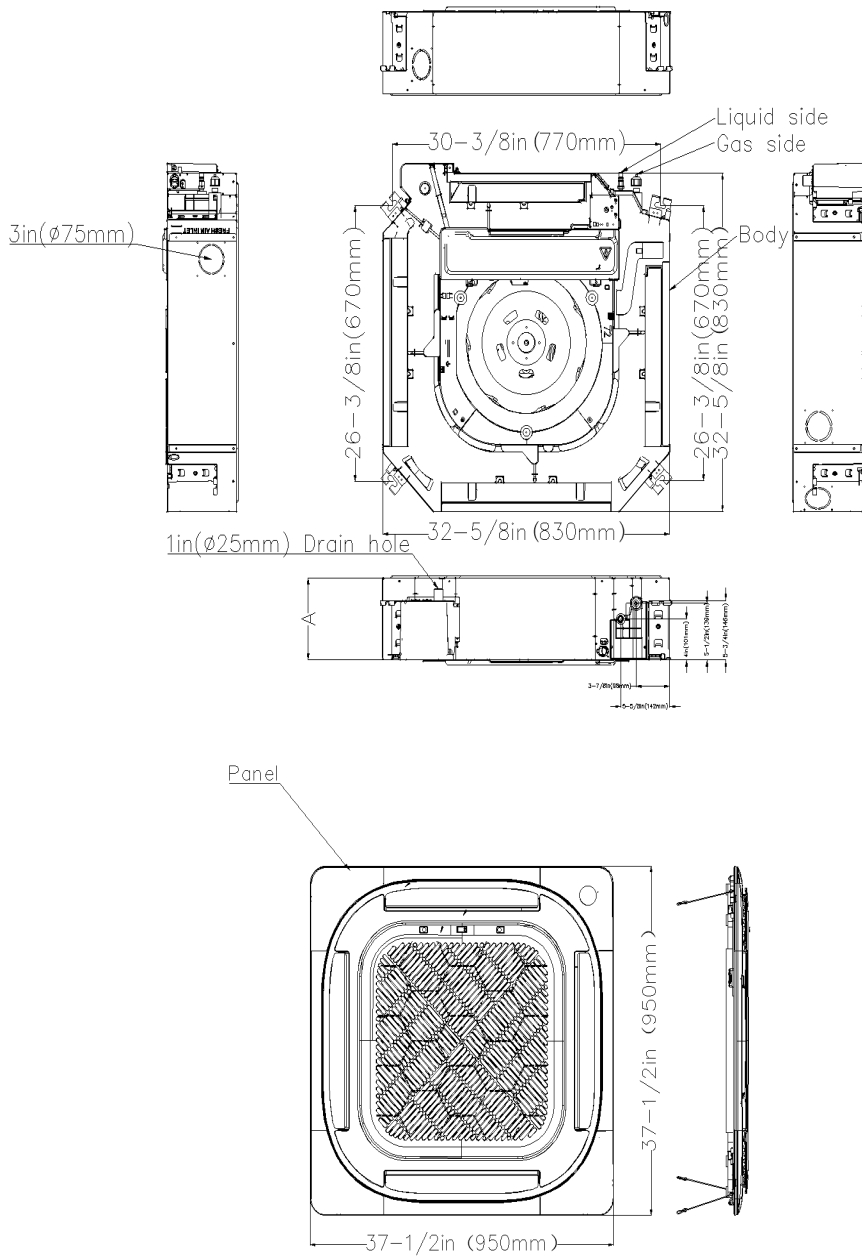
### ELECTRICAL

<b>Power Supply</b>	208/230V,60Hz,1Ph	
<b>System MCA</b>	39.00	
<b>Connection Wiring</b>	14#x3	
<b>System MOC</b>	40	
<b>Compressor RLA</b>	24.0	
<b>Outdoor Fan Motor RLA</b>	1.2	
<b>Outdoor Fan Motor W</b>	85	
<b>Indoor Fan Motor RLA</b>	1.0	
<b>Indoor Fan Motor W</b>	125	
<b>System Power Input @ Cooling (W)</b>	5053(800 ~ 5320)	
<b>System Power Input @ Heating (W)</b>	4950(1140 ~5940)	
<b>MCA: Min. circuit amps (A)</b>	<b>MOC: Max. over current protection (A)</b>	
<b>RLA: Rated load amps (A)</b>	<b>W: Fan motor rated output (W)</b>	

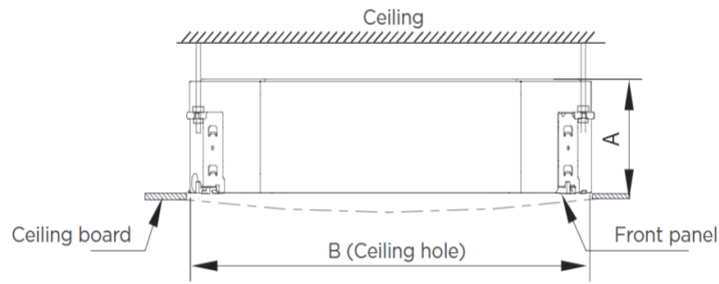
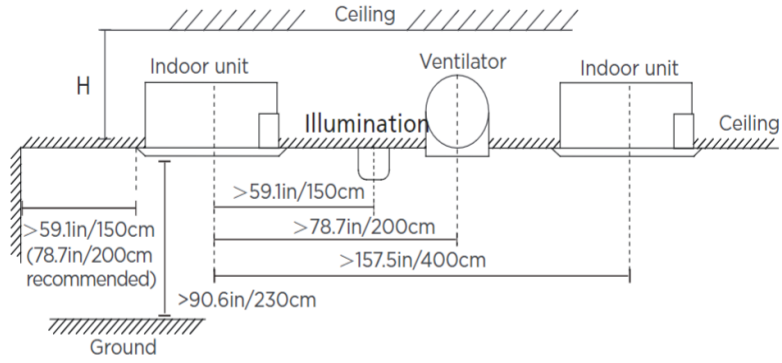
### PIPING

<b>Throttle type(Indoor)</b>	N/A
<b>Throttle type(Outdoor)</b>	EXV+Throttle valve
<b>Liquid Size</b>	9.52mm(3/8in)
<b>Gas Size</b>	19mm(3/4in)
<b>Max. Piping Length(ft/m)</b>	246.00(75)
<b>Max. Height Difference(ft/m)</b>	98.40(30)
<b>Max. Pre-charged Length(ft/m)</b>	24.6(7.5)
<b>Refrigerant Pre-charged Amount(oz/kg)</b>	126.99(3.60)
<b>Additional Charge of Refrigerant((oz/ft)/(g/m))</b>	0.32(30)
<b>Connection Method</b>	Flared

Indoor Unit Dimension



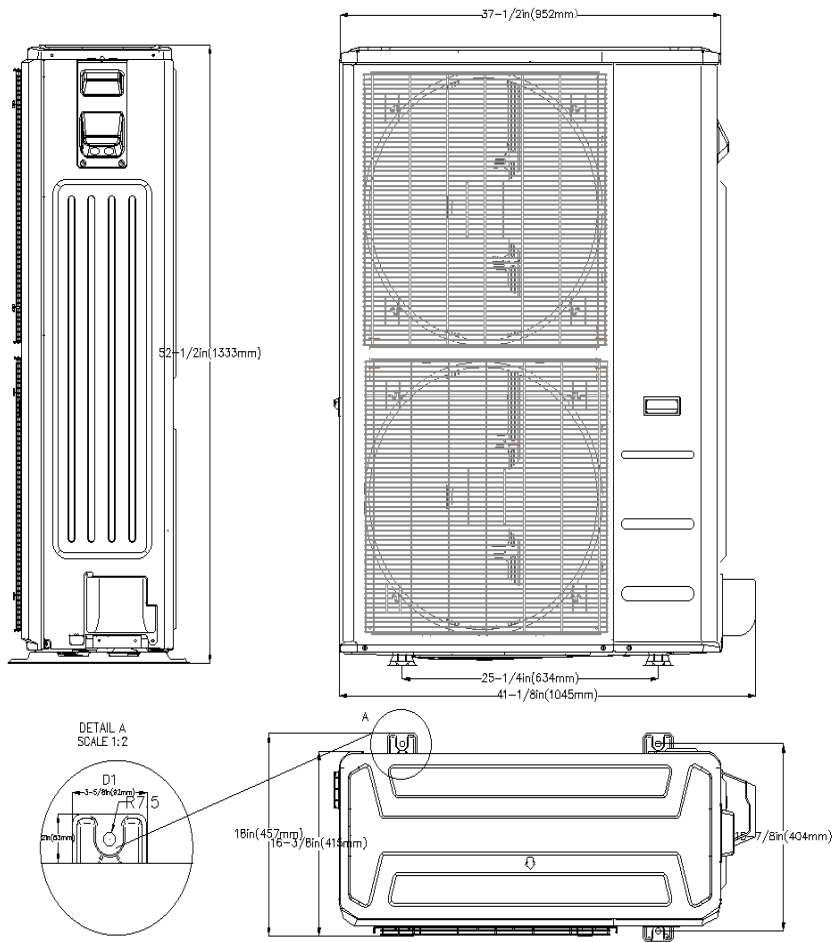
Installation Instruction



Distance from ceiling relative to height of indoor unit

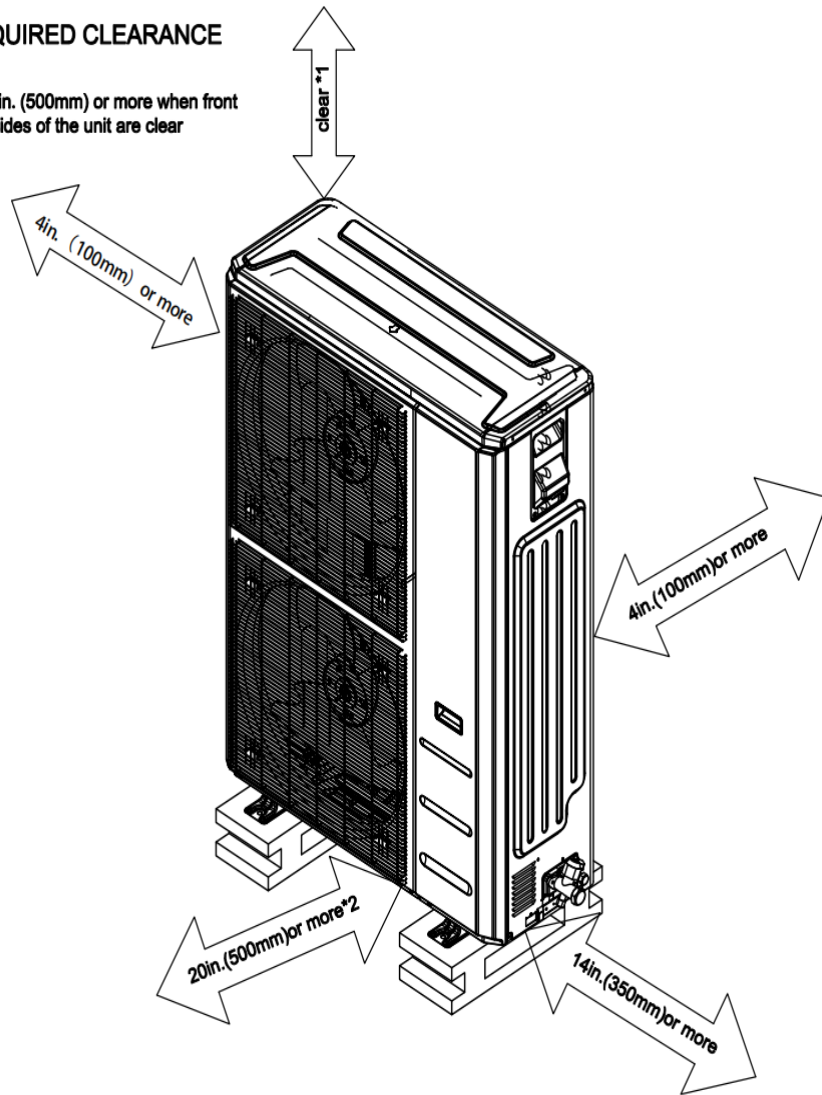
MODEL	Length of A	Length of H	Length of B
9K/12K/18K	9.6in (245mm)	$>10.8\text{in}$ (275mm)	23.6in (600mm)
24K	8.03in (205mm)	9.06in (230mm)	35.4in (900mm)
36K	9.65in (245mm)	10.7in (271mm)	
48K	11.3in (287mm)	12.3in (313mm)	

### Outdoor Unit Dimension



**REQUIRED CLEARANCE**

\*1 20in. (500mm) or more when front and sides of the unit are clear



\*2 When any 2 sides of left, right and rear of the unit are clear

## FEATURES

- 360° Air Flow
- Remote on-off and alarm ports
- Refrigerant leakage detection sensor(Optional)
- Humidity sensor
- Built-in pump
- 1~100% fan speed setting
- WiFi capability: through WiFi dongle or wired controller with built-in WiFi
- OTA(by using WiFi dongle)
- 2-pin connector(HA/HB) for programmable wired controller
- Multiple control options available:
  - Two way communication wired controller:120N(X6)
  - Two way communication wired controller with built-in WiFi:120N(X6W)
  - Infrared wired controller: 120L
  - Wireless remote controller
  - Third-Party 24V Thermostat\*

\*24V interface is required.