

# SUBMITTAL DATA SHEET

## 4-Way Cassette Heat Pump System BXALA36CC4-BXL2A36UC0

Location:	Approval:
Engineer:	Date:
Submitted to:	Construction:
Submitted by:	Unit #:
Reference:	Drawing #:



### INDOOR SPECIFICATION

Indoor Air Flow (Turbo/H/M/L/Si) (CFM)	1041.8 / 947.6 / 853.5 / 753.4 / 659.2	
Indoor Noise Level (Turbo/H/M/L/Si) (dBA)	N/A/52.0/47.5/40.0/38.00	
Dimension (W×D×H)	inch	32.68 x 32.68 x 9.65
	mm	830.0×830.0×245.0
Package (W×D×H)	inch	35.83 x 35.83 x 11.42
	mm	910×910×290
Net/Gross Weight	lbs	59.30/71.43
	kg	26.9/32.4

### OUTDOOR SPECIFICATION

Compressor Type	TWIN-ROTARY	
Compressor Model	EKPQ420D1UMUA	
Refrigerant	R454B	
Refrigerant Oil Charge(mL)	1460ml	
Refrigerant Oil	3265	
Outdoor Air Flow (Max) (CFM)	3001.9	
Outdoor Noise Level (dBA)	64.5	
Dimension (W×D×H)	inch	38.58 x 16.34 x 38.39
	mm	980.0×415.0×975.0
Package (W×D×H)	inch	45.08 x 19.68 x 42.52
	mm	1145×500×1080
Net/Gross Weight	lbs	206.57/237.44
	kg	93.7/107.7

### EFFICIENCY

Cooling		Heating	
SEER2	21.2	HSPF2-4	10.6
EER2	12.0	COP	3.43

### PERFORMANCE of Cooling

Cooling (Btu/hr)	
Rated Capacity	36600
Min/Max Capacity	4900~38000
Moisture Removal(L/h)	4.30
Standard Operating Range(°F/°C)	-22~122(-30~50)
Conditions:	Indoor: 80°F DB/67°F WB Outdoor: 95°F DB/75°F WB

### PERFORMANCE of Heating

Heating (Btu/hr)	
1. @ 47°F Rated	37000
1. @ 47°F Min/Max Capacity	11400~44600
2. @ 17°F Rated	30600
3. @ 5°F Rated: Capacity / COP	37000/1.95
3. @ 5°F Max: Capacity	37000
Standard Operating Range(°F/°C)	-22~75(-30~24)
1. Conditions:	Indoor: 70°F DB/60°F WB Outdoor: 47°F DB/43°F WB
2. Conditions:	Indoor: 70°F DB/60°F WB Outdoor: 17°F DB/15°F WB
3. Conditions	Indoor: 70°F DB/60°F WB Outdoor: 5°F DB/5°F WB

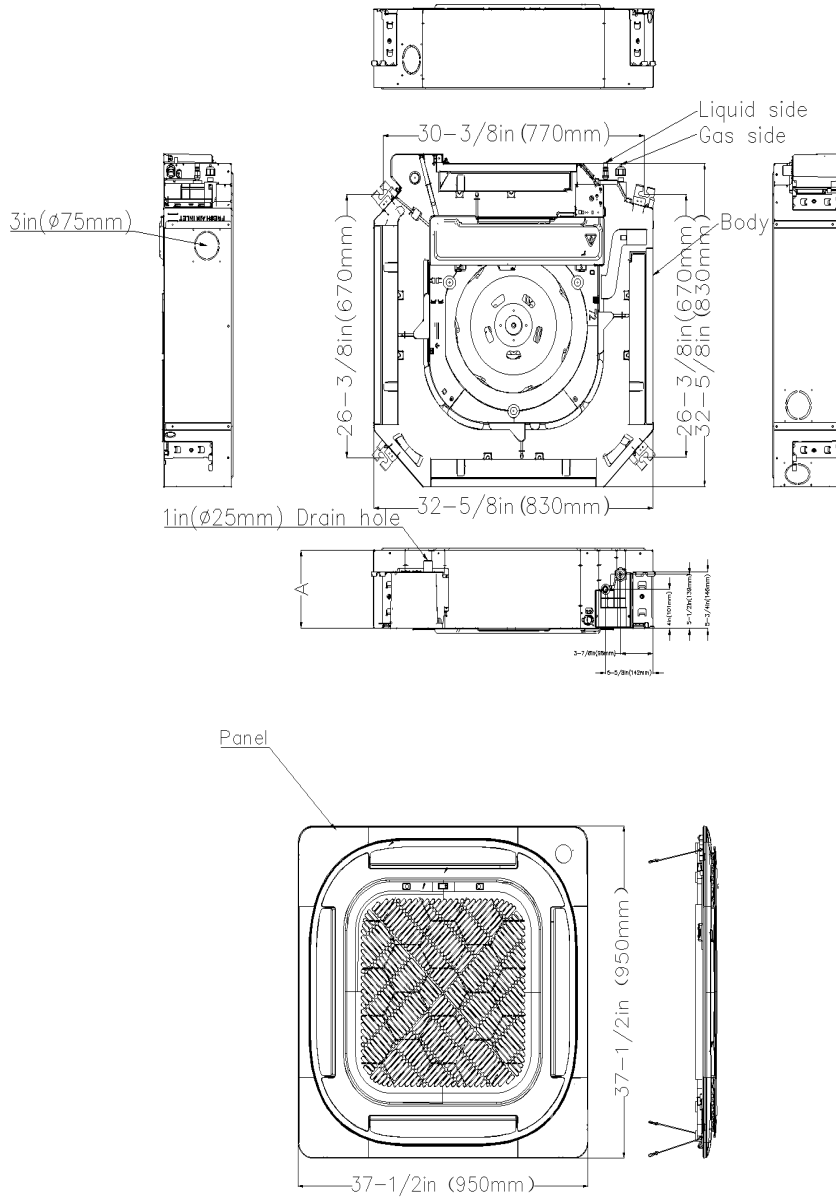
### ELECTRICAL

Power Supply	208/230V,60Hz,1Ph	
System MCA	38.00	
Connection Wiring	14#x3	
System MOCP	40	
Compressor RLA	24.5	
Outdoor Fan Motor RLA	2.1	
Outdoor Fan Motor W	250	
Indoor Fan Motor RLA	1.0	
Indoor Fan Motor W	125	
System Power Input @ Cooling (W)	3042(580 ~ 3480)	
System Power Input @ Heating (W)	3161(740 ~4160)	
MCA: Min. circuit amps (A)	MOCP: Max. over current protection (A)	
RLA: Rated load amps (A)	W: Fan motor rated output (W)	

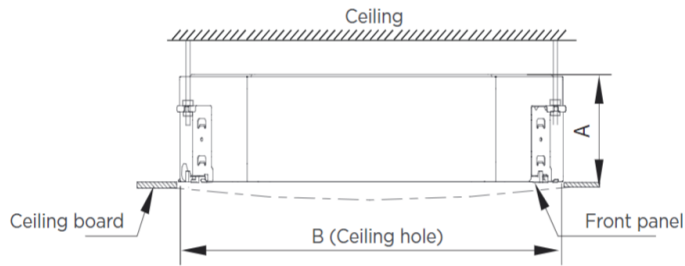
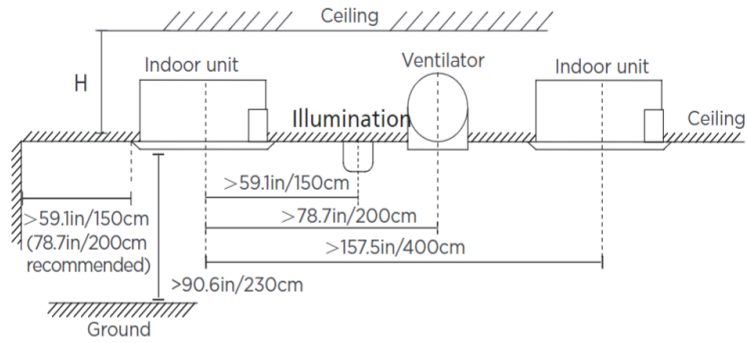
### PIPING

Throttle type(Indoor)	N/A	
Throttle type(Outdoor)	EXV+Throttle valve	
Liquid Size	9.52mm(3/8in)	
Gas Size	19mm(3/4in)	
Max. Piping Length(ft/m)	246.00(75)	
Max. Height Difference(ft/m)	98.40(30)	
Max. Pre-charged Length(ft/m)	24.6(7.5)	
Refrigerant Pre-charged Amount(oz/kg)	126.99(3.60)	
Additional Charge of Refrigerant((oz/ft)/(g/m))	0.32(30)	
Connection Method	Flared	

Indoor Unit Dimension



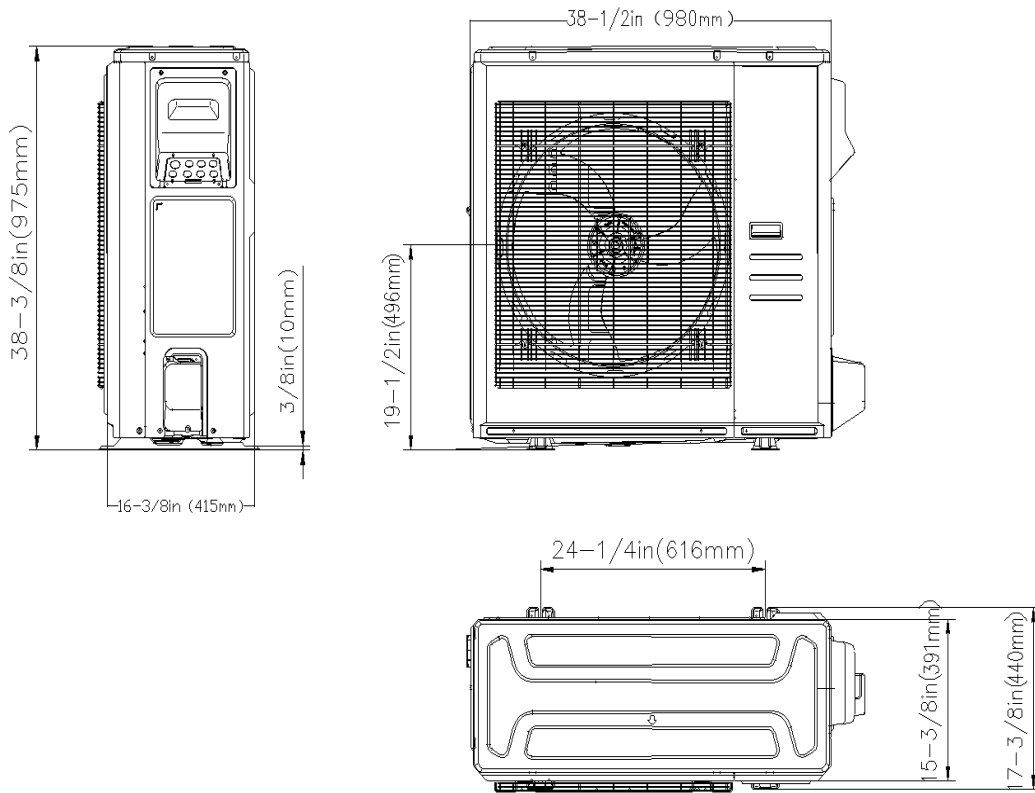
### Installation Instruction



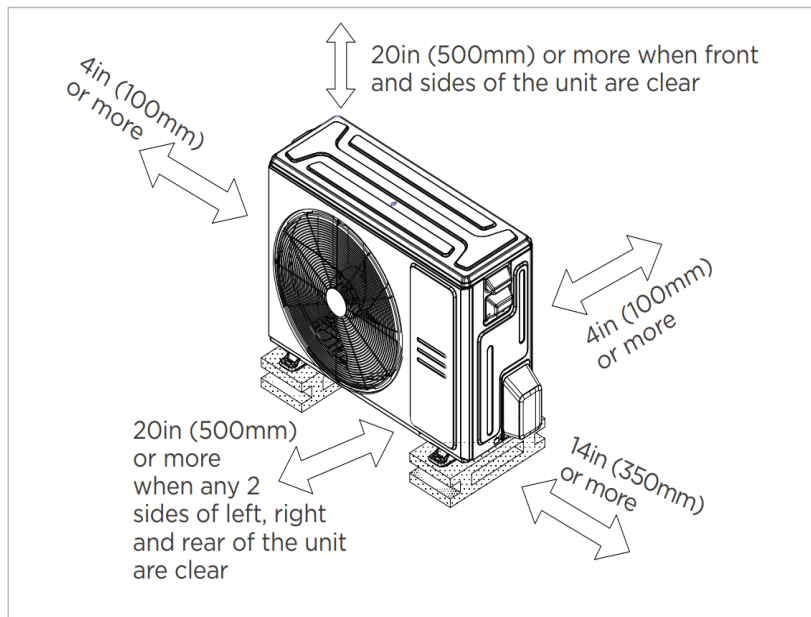
**Distance from ceiling relative to height of indoor unit**

MODEL	Length of A	Length of H	Length of B
9K/12K/18K	9.6in (245mm)	>10.8in (275mm)	23.6in (600mm)
24K	8.03in (205mm)	9.06in (230mm)	35.4in (900mm)
36K	9.65in (245mm)	10.7in (271mm)	
48K	11.3in (287mm)	12.3in (313mm)	

### Outdoor Unit Dimension



### Installation Instruction



Meets all spatial requirements shown in Installation Clearance Requirements above.

## FEATURES

- 360° Air Flow
- Remote on-off and alarm ports
- Refrigerant leakage detection sensor(Optional)
- Humidity sensor
- Built-in pump
- 1~100% fan speed setting
- WiFi capability: through WiFi dongle or wired controller with built-in WiFi
- OTA(by using WiFi dongle)
- 2-pin connector(HA/HB) for programmable wired controller
- Multiple control options available:
  - Two way communication wired controller:120N(X6)
  - Two way communication wired controller with built-in WiFi:120N(X6W)
  - Infrared wired controller: 120L
  - Wireless remote controller
  - Third-Party 24V Thermostat\*

\*24V interface is required.