

SUBMITTAL DATA SHEET

4-Way Cassette Heat Pump System BXALA48CC4-BXL2A48UC0

Location:	Approval:
Engineer:	Date:
Submitted to:	Construction:
Submitted by:	Unit #:
Reference:	Drawing #:



INDOOR SPECIFICATION

Indoor Air Flow (Turbo/H/M/L/Si) (CFM)	1236.1 / 1124.2 / 1018.3 / 800.5 / 688.7
Indoor Noise Level (Turbo/H/M/L/Si) (dBA)	N/A/52.0/49.5/41.5/38.00
Dimension (WxDxH)	inch 32.68 x 32.68 x 11.30
	mm 830.0x830.0x287.0
Package (WxDxH)	inch 35.83 x 35.83 x 12.99
	mm 910x910x330
Net/Gross Weight	lbs 64.59/76.06
	kg 29.3/34.5

OUTDOOR SPECIFICATION

Compressor Type	TWIN-ROTARY
Compressor Model	EKPQ420D1UMUA
Refrigerant	R454B
Refrigerant Oil Charge(mL)	1460ml
Refrigerant Oil	3265
Outdoor Air Flow (Max) (CFM)	4237.9
Outdoor Noise Level (dBA)	62.5
Dimension (WxDxH)	inch 37.48 x 16.34 x 52.48
	mm 952.0x415.0x1333.0
Package (WxDxH)	inch 43.11 x 19.49 x 57.48
	mm 1095x495x1460
Net/Gross Weight	lbs 208.78/239.86
	kg 94.7/108.8

EFFICIENCY

Cooling		Heating	
SEER2	18	HSPF2-4	11.0
EER2	10.0	COP	3.09

PERFORMANCE of Cooling

Cooling (Btu/hr)	
Rated Capacity	48000
Min/Max Capacity	4900~52700
Moisture Removal(L/h)	6.13
Standard Operating Range(°F/°C)	-22~-122(-30~50)
Conditions:	Indoor: 80°F DB/67°F WB Outdoor: 95°F DB/75°F WB

PERFORMANCE of Heating

Heating (Btu/hr)	
1. @ 47°F Rated	53000
2. @ 47°F Min/Max Capacity	19000~57400
1. @ 17°F Rated	44000
3. @ 5°F Rated: Capacity / COP	47500/1.96
3. @ 5°F Max: Capacity	47500
Standard Operating Range(°F/°C)	-22~-75(-30~24)
1. Conditions:	Indoor: 70°F DB/60°F WB Outdoor: 47°F DB/43°F WB
2. Conditions:	Indoor: 70°F DB/60°F WB Outdoor: 17°F DB/15°F WB
3. Conditions	Indoor: 70°F DB/60°F WB Outdoor: 5°F DB/5°F WB

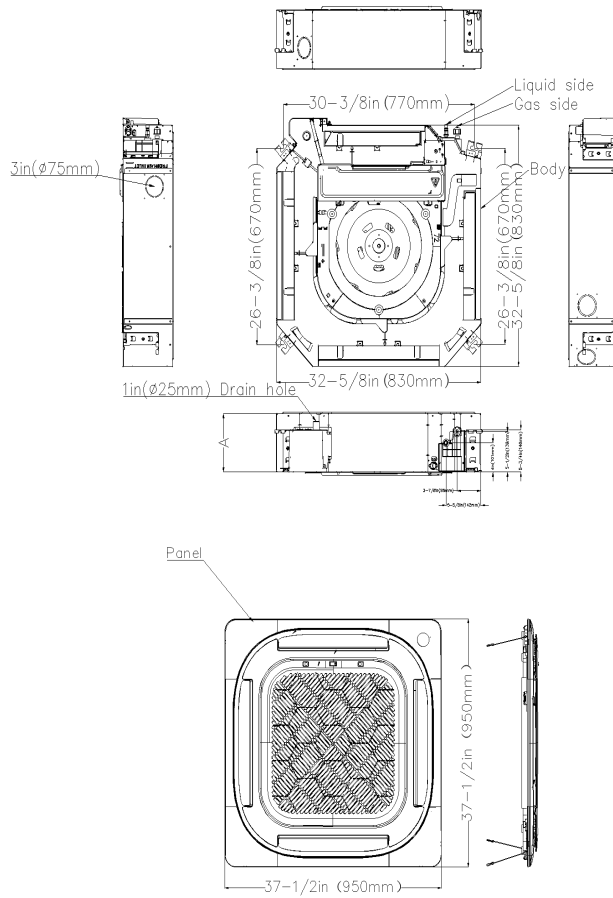
ELECTRICAL

Power Supply	208/230V,60Hz,1Ph
System MCA	44.00
Connection Wiring	14#x3
System MOCP	45
Compressor RLA	27.0
Outdoor Fan Motor RLA	1.2
Outdoor Fan Motor W	85
Indoor Fan Motor RLA	1.0
Indoor Fan Motor W	125
System Power Input @ Cooling (W)	4800(710 ~ 5750)
System Power Input @ Heating (W)	5027(1135 ~ 5660)
MCA: Min. circuit amps (A)	MOCP: Max. over current protection (A)
RLA: Rated load amps (A)	W: Fan motor rated output (W)

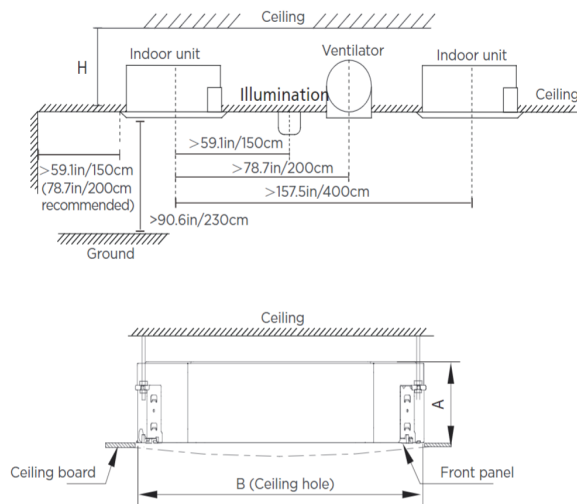
PIPING

Throttle type(Indoor)	N/A
Throttle type(Outdoor)	EXV+Throttle valve
Liquid Size	9.52mm(3/8in)
Gas Size	19mm(3/4in)
Max. Piping Length(ft/m)	246.00(75)
Max. Height Difference(ft/m)	98.40(30)
Max. Pre-charged Length(ft/m)	24.6(7.5)
Refrigerant Pre-charged Amount(oz/kg)	126.99(3.60)
Additional Charge of Refrigerant(oz/ft)/(g/m)	0.32(30)
Connection Method	Flared

Indoor Unit Dimension



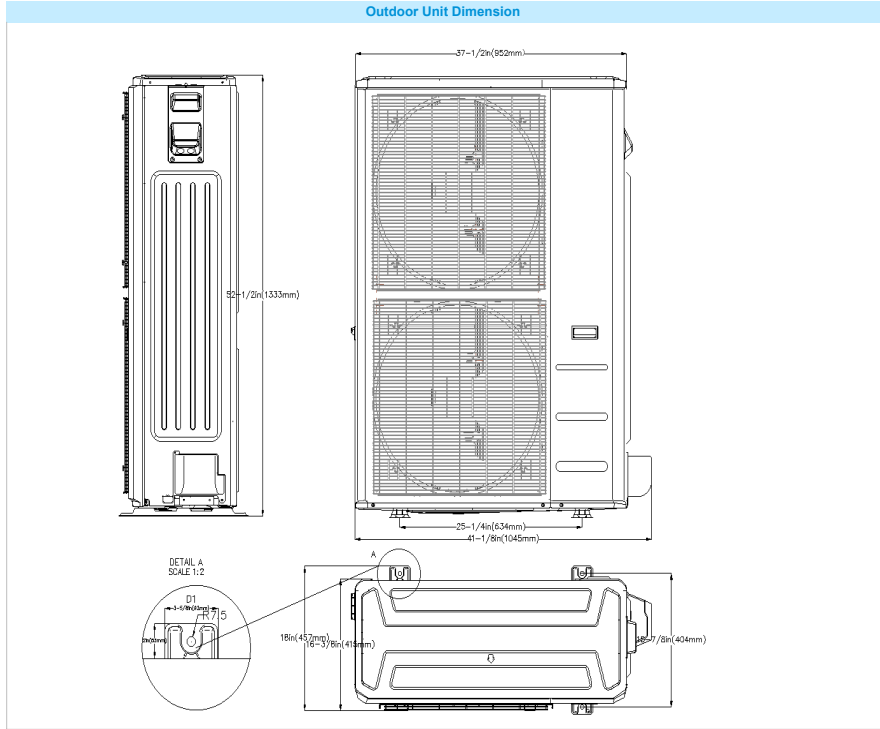
Installation Instruction



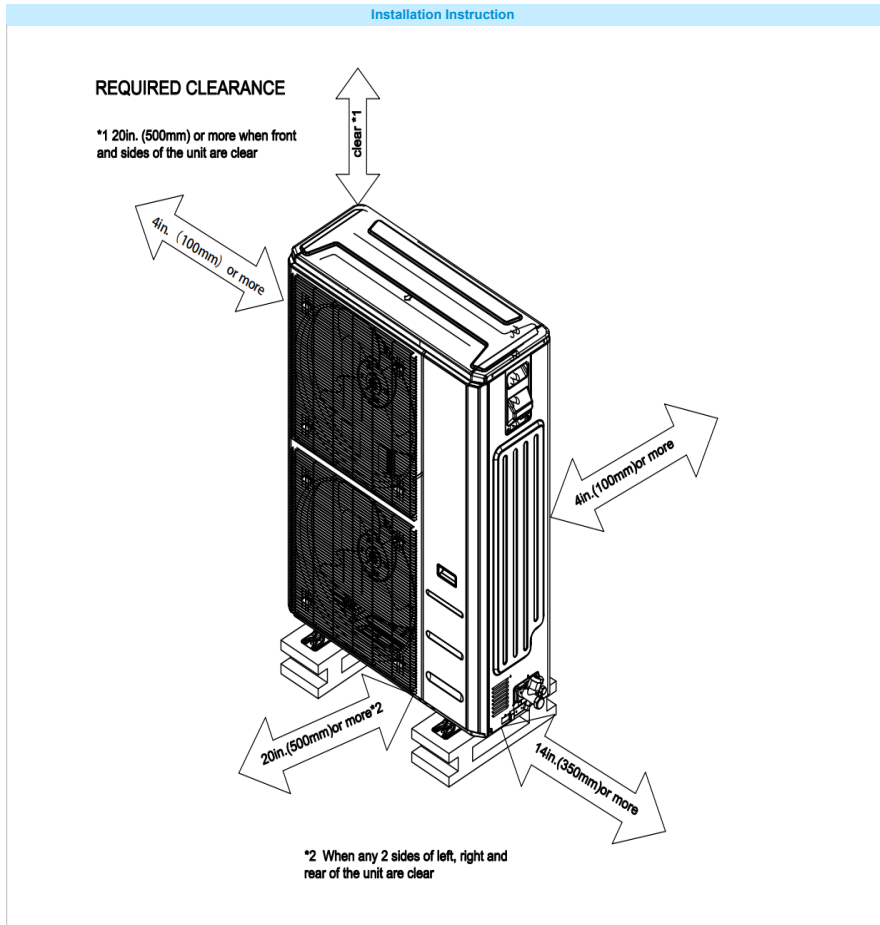
Distance from ceiling relative to height of indoor unit

MODEL	Length of A	Length of H	Length of B
9K/12K/18K	9.6in (245mm)	$>10.8\text{in}$ (275mm)	23.6in (600mm)
24K	8.03in (205mm)	9.06in (230mm)	
36K	9.65in (245mm)	10.7in (271mm)	35.4in (900mm)
48K	11.3in (287mm)	12.3in (313mm)	

Outdoor Unit Dimension



Installation Instruction



FEATURES

- 360° Air Flow
- Remote on-off and alarm ports
- Refrigerant leakage detection sensor(Optional)
- Humidity sensor
- Built-in pump
- 1~100% fan speed setting
- WiFi capability: through WiFi dongle or wired controller with built-in WiFi
- OTA(by using WiFi dongle)
- 2-pin connector(HA/HB) for programmable wired controller
- Multiple control options available:
 - Two way communication wired controller:120N(X6)
 - Two way communication wired controller with built-in WiFi:120N(X6W)
 - Infrared wired controller: 120L
 - Wireless remote controller
 - Third-Party 24V Thermostat*

*24V interface is required.