

# SUBMITTAL DATA SHEET

## High Wall Heat Pump System BXFA06WM0-BXS5A06UC0

Location:	Approval:
Engineer:	Date:
Submitted to:	Construction:
Submitted by:	Unit #:
Reference:	Drawing #:



### INDOOR SPECIFICATION

Indoor Air Flow (Turbo/H/M/L/Si) (CFM)	382.6 / 323.7 / 229.6 / 176.6 / 147.2	
Indoor Noise Level (Turbo/H/M/L/Si) (dBA)	44.0/36.5/32.5/22.0/19.5	
Dimension (W×D×H)	inch	33.40x9.18x11.76
	mm	848.4x233.2x300
Package (W×D×H)	inch	36.22x12.20x14.57
	mm	920x310x370
Net/Gross Weight	lbs	22.93/29.32
	kg	10.4/13.3

### OUTDOOR SPECIFICATION

Compressor Type	ROTARY	
Compressor Model	KSK103D33UEZ3	
Refrigerant	R454B	
Refrigerant Oil Charge(mL)	310	
Refrigerant Oil	VG74	
Outdoor Air Flow (Max) (CFM)	1235.3	
Outdoor Noise Level (dBA)	53.0	
Dimension (W×D×H)	inch	30.12 x 11.93 x 21.85
	mm	765.0×303.0×555.0
Package (W×D×H)	inch	34.92 x 13.27 x 24.02
	mm	887×337×610
Net/Gross Weight	lbs	62.17/67.68
	kg	28.2/30.7

### EFFICIENCY

Cooling		Heating	
SEER2	25.5	HSPF2-4	14.8
EER2	18.0	COP	4.20

### PERFORMANCE of Cooling

Cooling (Btu/hr)	
Rated Capacity	6000
Min/Max Capacity	2300~12600
Moisture Removal(L/h)	0.3
Standard Operating Range(℉/℃)	-22~122(-30~50)
Conditions:	Indoor: 80℉ DB/67℉ WB Outdoor: 95℉ DB/75℉ WB

### PERFORMANCE of Heating

Heating (Btu/hr)	
1. @ 47℉ Rated	7000
1. @ 47℉ Min/Max Capacity	3000~11000
2. @ 17℉ Rated	7900
3. @ 5℉ Rated: Capacity / COP	7700/2.39
3. @ 5℉ Max: Capacity	7700
Standard Operating Range(℉/℃)	-22~75(-30~24)
1. Conditions:	Indoor: 70℉ DB/60℉ WB Outdoor: 47℉ DB/43℉ WB
2. Conditions:	Indoor: 70℉ DB/60℉ WB Outdoor: 17℉ DB/15℉ WB
3. Conditions:	Indoor: 70℉ DB/60℉ WB Outdoor: 5℉ DB/5℉ WB

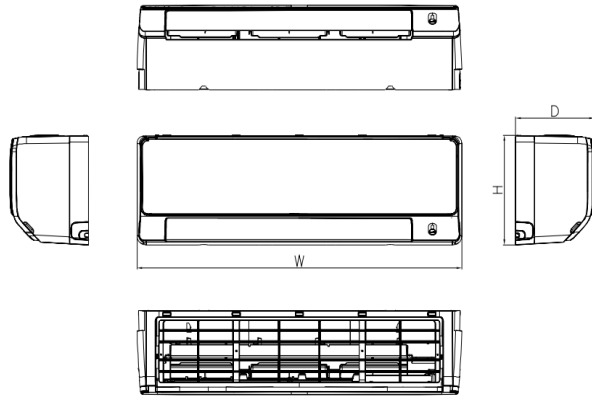
### ELECTRICAL

Power Supply	208/230V,60Hz,1Ph	
System MCA	12.0	
Connection Wiring	14#x4	
System MOCP	15	
Compressor RLA	7.3	
Outdoor Fan Motor RLA	0.6	
Outdoor Fan Motor W	34	
Indoor Fan Motor RLA	0.5	
Indoor Fan Motor W	20	
System Power Input @ Cooling (W)	333(166 ~ 950)	
System Power Input @ Heating (W)	489(241 ~1090)	
MCA: Min. circuit amps (A)	MOCP: Max. over current protection (A)	
RLA: Rated load amps (A)	W: Fan motor rated output (W)	

### PIPING

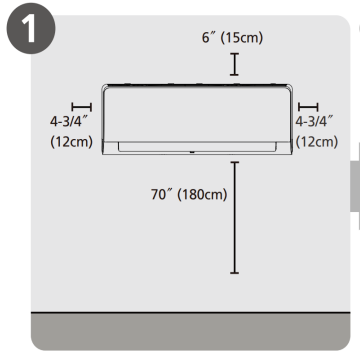
Throttle type(Indoor)	N/A	
Throttle type(Outdoor)	EXV	
Liquid Size	6.35mm(1/4in)	
Gas Size	9.52mm(3/8in)	
Max. Piping Length(ft/m)	82.00(25)	
Max. Height Difference(ft/m)	49.20(15)	
Max. Pre-charged Length(ft/m)	24.6(7.5)	
Refrigerant Pre-charged Amount(oz/g)	32.45(0.92)	
Additional Charge of Refrigerant((oz/ft)/(g/m))	0.16(15)	
Connection Method	Flared	

### Indoor Unit Dimension

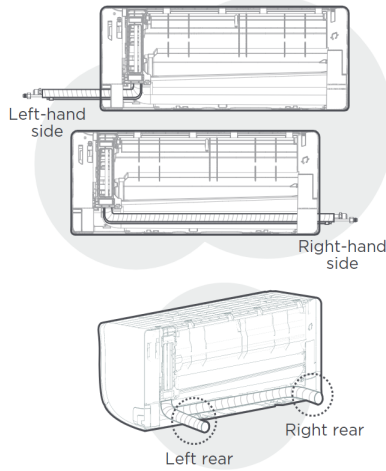


Capacity	Body Code	Unit	W	D	H
6k~12k	B	mm	848	233	300
		inch	33-3/8	9-1/8	11-3/4
18k~24k	C	mm	1017	248	319
		inch	40	9-3/4	12-1/2
24k~36k	D	mm	1190	285	371
		inch	46-7/8	11-1/4	14-5/8

### Installation Instruction

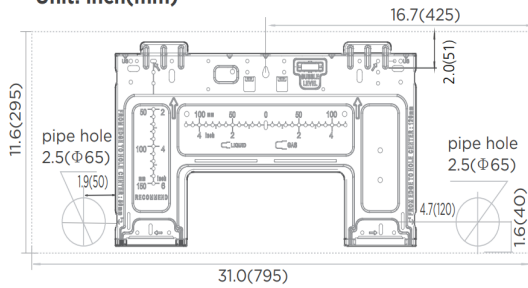


**Select Installation Location**



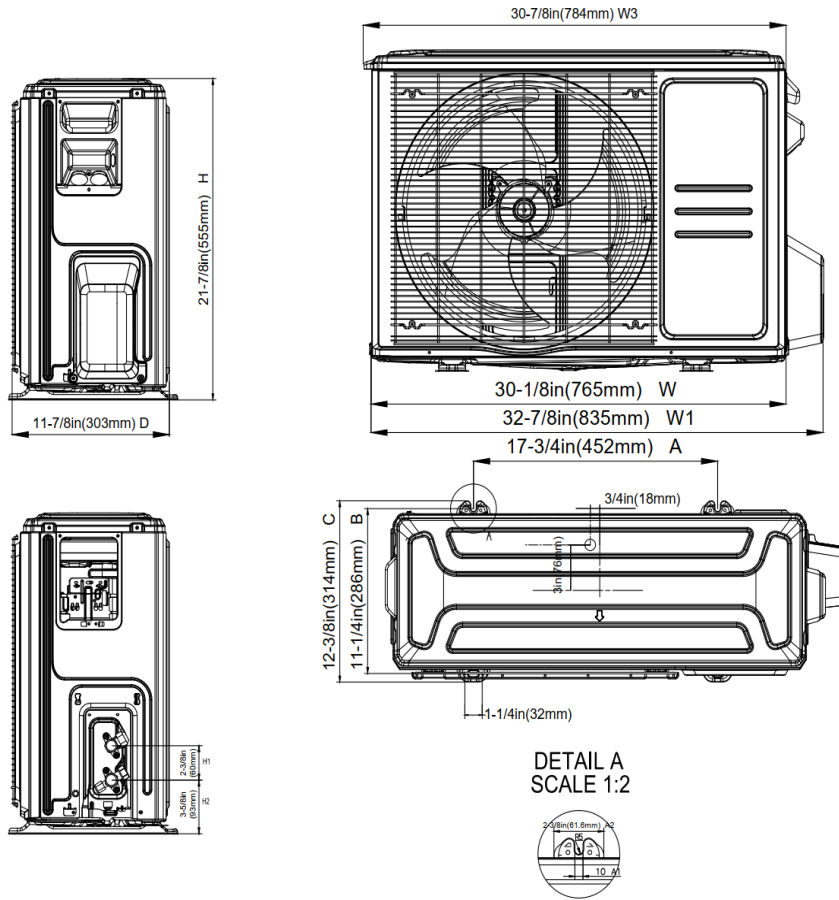
**NOTE:**  
Based on the position of the wall hole relative to the mounting plate, choose the side from which the piping will exit the unit. You have four options for the exit direction of the piping.

Unit: inch(mm)

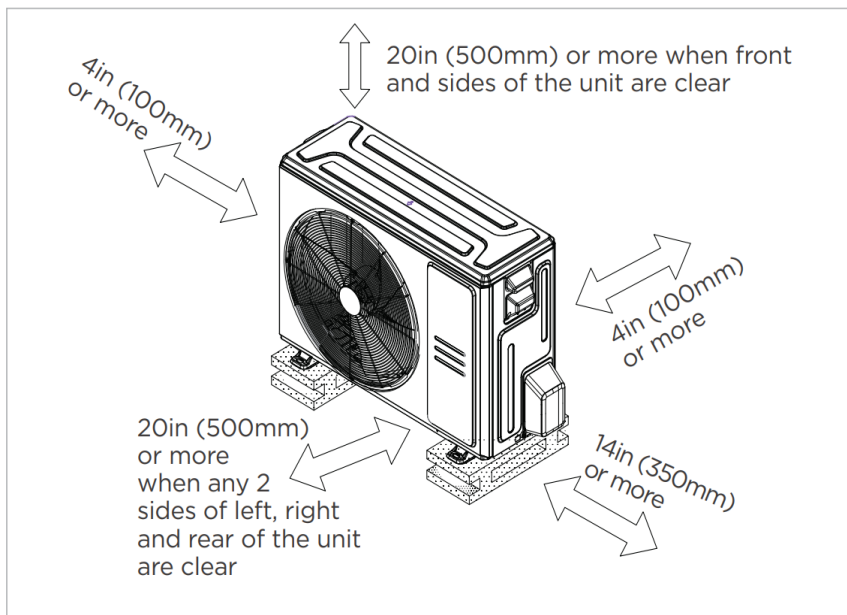


**NOTE:**  
When the gas side connective pipe is  $\Phi$  (5/8in)16mm or more, the wall hole should be (3-1/2in)90mm.

### Outdoor Unit Dimension



### Installation Instruction



Meets all spatial requirements shown in Installation Clearance Requirements above.

## FEATURES

- Intelligent eye
- Easy maintenance design
- Indoor unit TU1 copper coil
- Humidity control
- 1~100% fan speed setting
- WiFi capability: through WiFi dongle or wired controller with built-in WiFi
- OTA(by using WiFi dongle)
- Multiple control options available:
  - Two way communication wired controller:120N(X6)
  - Two way communication wired controller with built-in WiFi:120N(X6W)
  - Infrared wired controller: 120L
  - Wireless remote controller
  - Third-Party 24V Thermostat\*

\*24V interface is required.