

SUBMITTAL DATA SHEET

High Wall Heat Pump System BXS6A09WM0-BXS6A09UC0

Location:	Approval:
Engineer:	Date:
Submitted to:	Construction:
Submitted by:	Unit #:
Reference:	Drawing #:



INDOOR SPECIFICATION

Indoor Air Flow (Turbo/H/M/L/Si) (CFM)	559.2 / 423.8 / 211.9 / 153.0 //	
Indoor Noise Level (Turbo/H/M/L/Si) (dBA)	N/A/41.5/33/23/19	
Dimension (W×D×H)	inch	40.06x9.72x12.60
	mm	1017.4x248x319
Package (W×D×H)	inch	43.11x12.80x15.75
	mm	1095x325x400
Net/Gross Weight	lbs	28.22/36.82
	kg	12.8/16.7

OUTDOOR SPECIFICATION

Compressor Type	ROTARY	
Compressor Model	KTM110D79UFZA3	
Refrigerant	R454B	
Refrigerant Oil Charge(mL)	500	
Refrigerant Oil	VG74	
Outdoor Air Flow (Max) (CFM)	1470.6	
Outdoor Noise Level (dBA)	57.0	
Dimension (W×D×H)	inch	35.04 x 13.46 x 26.50
	mm	890.0×342.0×673.0
Package (W×D×H)	inch	39.17 x 15.67 x 29.13
	mm	995×398×740
Net/Gross Weight	lbs	99.65/107.80
	kg	45.2/48.9

EFFICIENCY

Cooling		Heating	
SEER2	33.3	HSPF2-4	22.0
EER2	17.0	COP	3.60

PERFORMANCE of Cooling

Cooling (Btu/hr)	
Rated Capacity	9000
Min/Max Capacity	3100~16500
Moisture Removal(L/h)	0.5
Standard Operating Range(℉/℃)	-22~122(-30~50)
Conditions:	Indoor: 80℉ DB/67℉ WB Outdoor: 95℉ DB/75℉ WB

PERFORMANCE of Heating

Heating (Btu/hr)	
1. @ 47℉ Rated	12000
1. @ 47℉ Min/Max Capacity	4100~17200
2. @ 17℉ Rated	11000
3. @ 5℉ Rated: Capacity / COP	13500/2.00

ELECTRICAL

Power Supply	208/230V,60Hz,1Ph	
System MCA	16.0	
Connection Wiring	14#x4	
System MOCP	20	
Compressor RLA	11.6	
Outdoor Fan Motor RLA	0.7	
Outdoor Fan Motor W	80	
Indoor Fan Motor RLA	0.7	
Indoor Fan Motor W	60	
System Power Input @ Cooling (W)	529(180 ~ 1380)	
System Power Input @ Heating (W)	977(200 ~1585)	
MCA: Min. circuit amps (A)	MOCP: Max. over current protection (A)	
RLA: Rated load amps (A)	W: Fan motor rated output (W)	

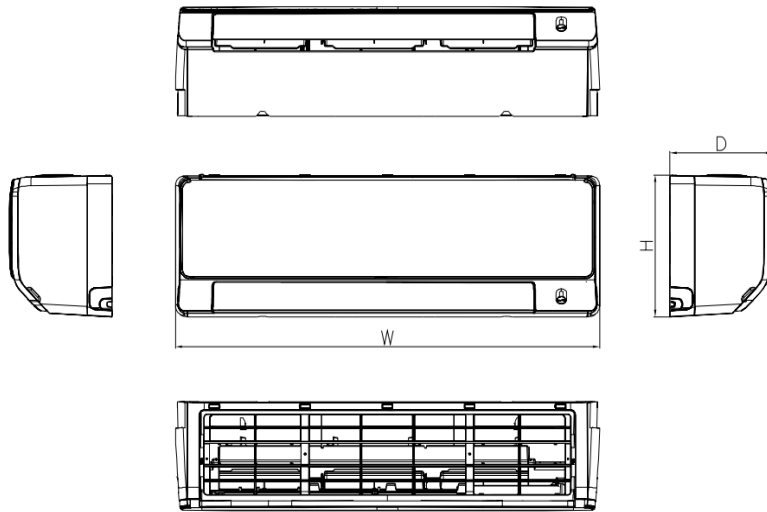
PIPING

Throttle type(Indoor)	N/A
Throttle type(Outdoor)	EXV
Liquid Size	6.35mm(1/4in)

3. @ 5°F Max: Capacity	13500
Standard Operating Range(°F/°C)	-22~75(-30~24)
1. Conditions:	Indoor: 70°F DB/60°F WB Outdoor: 47°F DB/43°F WB
2. Conditions:	Indoor: 70°F DB/60°F WB Outdoor: 17°F DB/15°F WB
3. Conditions	Indoor: 70°F DB/60°F WB Outdoor: 5°F DB/5°F WB

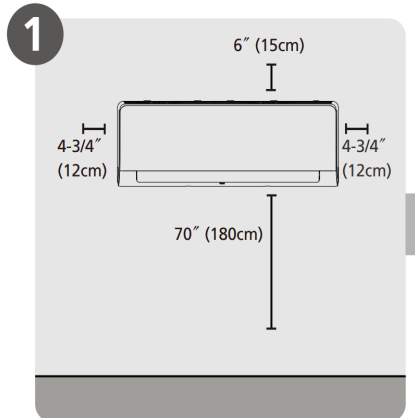
Gas Size	9.52mm(3/8in)
Max. Piping Length(ft/m)	82.00(25)
Max. Height Difference(ft/m)	49.20(15)
Max. Pre-charged Length(ft/m)	24.6(7.5)
Refrigerant Pre-charged Amount(oz/g)	44.09(1.25)
Additional Charge of Refrigerant((oz/ft)/(g/m))	0.16(15)
Connection Method	Flared

Indoor Unit Dimension

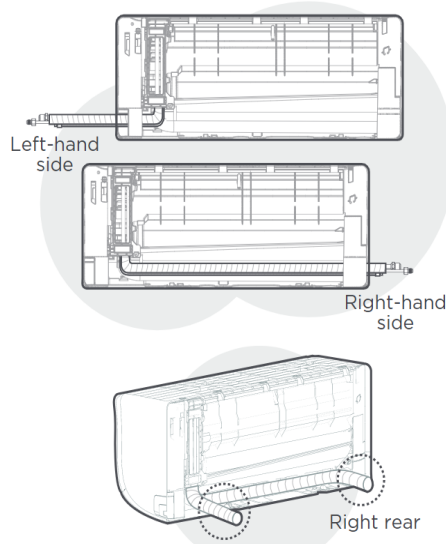


Capacity	Body Code	Unit	W	D	H
6k~12k	C	mm	1017	248	319
		inch	40	9-3/4	12-1/2
18k	D	mm	1190	285	371
		inch	46-7/8	11-1/4	14-5/8

Installation Instruction

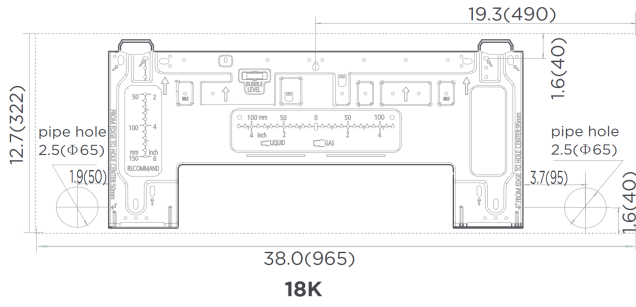


Select Installation Location



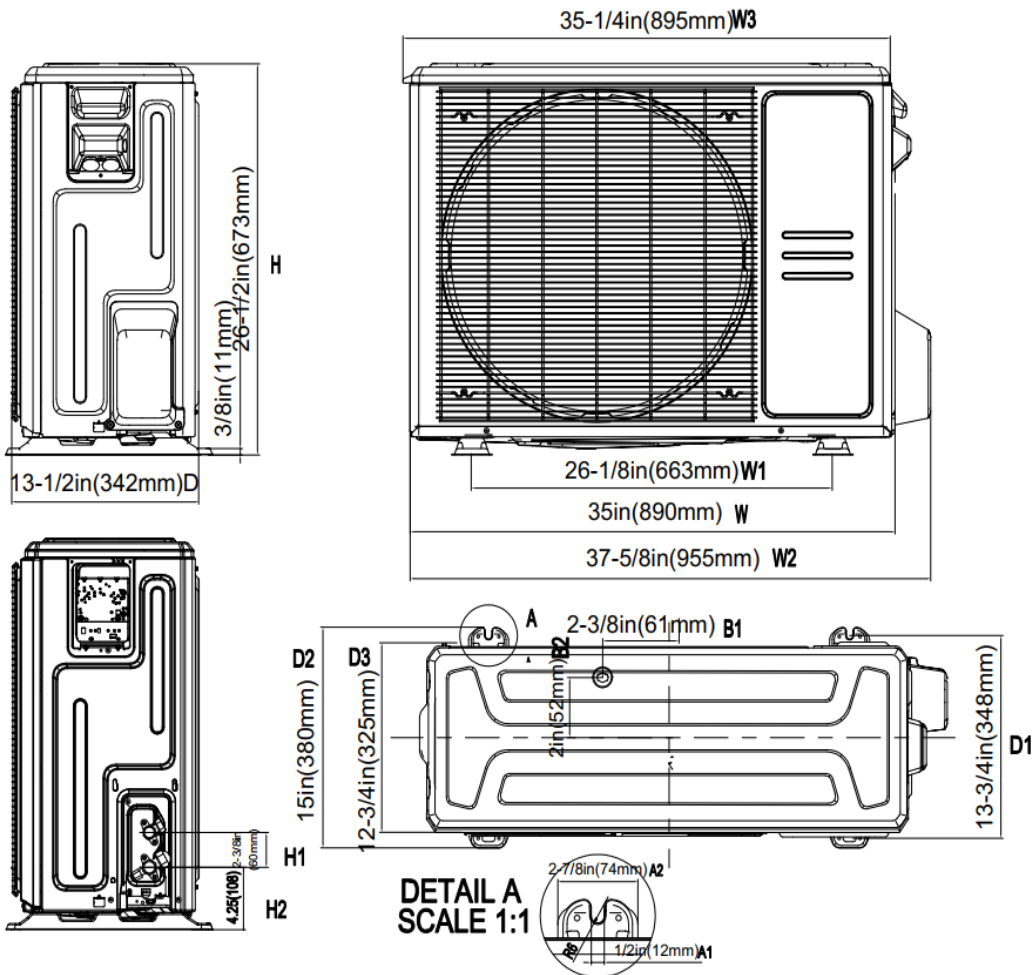
NOTE:
Based on the position of the wall hole relative to the mounting plate, choose the side from which the piping will exit the unit. You have four options for the exit direction of the piping.

Left rear



NOTE:
When the gas side connective pipe is Φ (5/8in)16mm or more, the wall hole should be (3-1/2in)90mm.

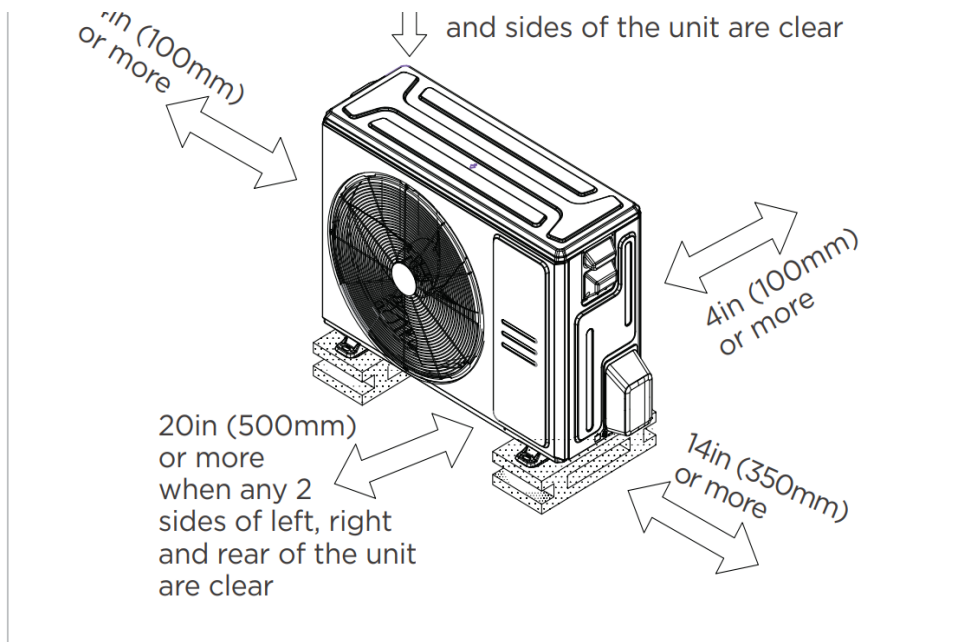
Outdoor Unit Dimension



Installation Instruction

4.

↑ 20in (500mm) or more when front



- ☑ Meets all spatial requirements shown in Installation Clearance Requirements above.

FEATURES

- Intelligent eye
- Easy maintenance design
- Indoor unit TU1 copper coil
- Humidity control
- 1~100% fan speed setting
- WiFi capability: through WiFi dongle or wired controller with built-in WiFi
- OTA(by using WiFi dongle)
- Multiple control options available:
 - Two way communication wired controller:120N(X6)
 - Two way communication wired controller with built-in WiFi:120N(X6W)
 - Infrared wired controller: 120L
 - Wireless remote controller
 - Third-Party 24V Thermostat*

*24V interface is required.